

HURRICANE ASSEMBLIES

SINGLE



DOUBLE



FLUSH



GLAZED



full drawings available at
www.hurricaneopenings.com

Brought to you by:



1864

MESKERTM
OPENINGS GROUP

- ☉ Miami Dade NOA #14102103 (OPAQUE) + #14102104 (GLAZED)
- ☉ Complies with 2010 / 2014 Florida Building Code
- ☉ Available with ADA Thresholds
- ☉ Rated for LARGE MISSILE IMPACT without SHUTTERS
- ☉ +/- 65 PSF
- ☉ Approved for High Velocity Hurricane Zones (HVHZ) with Water Infiltration



SELECT YOUR DOOR

GAUGE: 18, 16, or 14 GA

CORE: Polystyrene Insulated

STEEL: Galvannealed or Stainless Steel

REINFORCEMENT: 161/86/RP/VR

UNDER CUT: $\frac{3}{4}$ " or $\frac{3}{8}$ "

❖ **EDGE:**

Square
(standard)



Beveled



❖ **SEAM:**



Nseries
Standard Seamed Edge

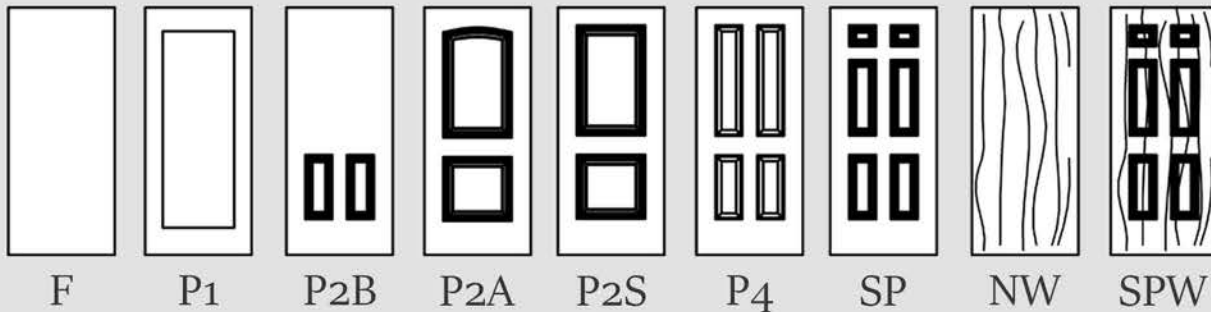


NVSdoor
Continuously Welded / Seamless Edge



ELEVATION

FACE: Flush or Paneled or Glazed



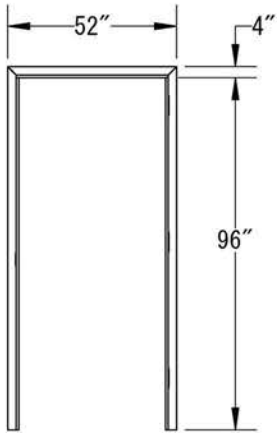
GLAZING

GLAZING: Min. 13" wide stiles + 16" min top + bottom rails required

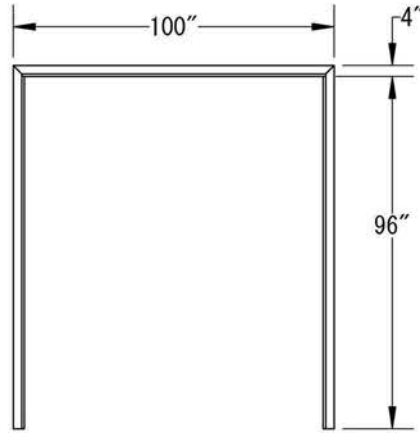
GLAZING TYPE: Fire Rated $1\frac{7}{16}$ " nominal, Insulated Glass with Air Louvers VLFIG - HRC Lite Kit
1/4" Lexan with Air Louvers VLFEZ - HRC Lite Kit

EXAMPLE MAXIMUM GLAZING SIZES: 36" W Door - 10" x 59 3/4" MAX
48" W Door - 21 3/4" x 59 3/4" MAX

SELECT YOUR FRAME

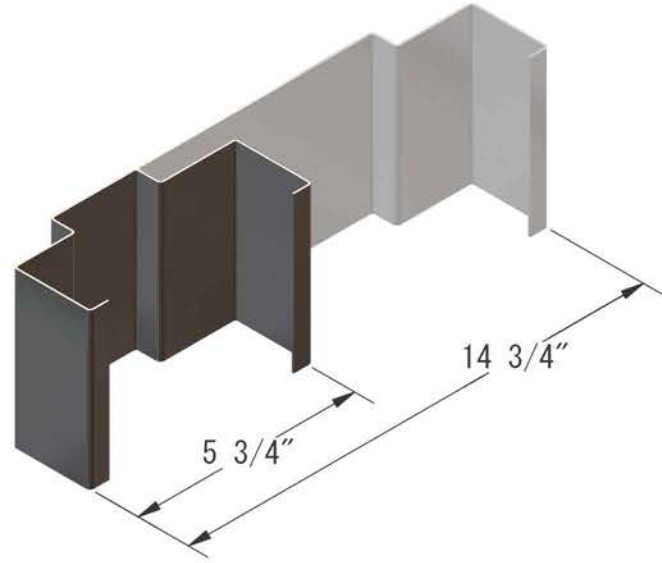


4080 SINGLE
(MAX)



8080 DOUBLE
(MAX)

GAUGE: 16 or 14 GA



ANCHOR TYPES & LOCATIONS

Wood Stud Anchor
(TYPE C)



Wire Anchor
(TYPE H)*



T Strap Anchor
(TYPE J)*



Strap Anchor
(TYPE K)*



Tube Anchor
(TYPE A)**



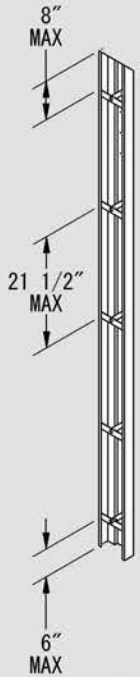
Z Anchor
(TYPE B)



*For grout filled frames: (H, J, K) **Nongrout - filled frames: (A)

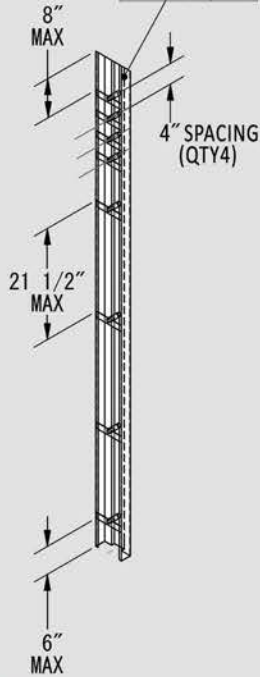
NOTE: JAMB SUBSTRATE CAN BE GROUT FILLED CONCRETE, 2X WOOD BUCKS, WOOD STRUCTURAL MEMBERS(S), FILLED CONCRETE BLOCK WALL AND METAL STRUCTURE (STEEL OR ALUMINUM). ANCHOR TYPE SHOWN ABOVE SHOULD BE CHOSEN BASED ON SUBSTRATE TYPE. ANY TYPE OF ANCHOR NOT SPECIFIED HERE IS NOT PART OF THIS APPROVAL.

ANCHOR BRACKET TYPE A		
ANCHOR TYPES	NUMBER OF ANCHOR REQ'D	
	2000 MAX WIDTH x HEIGHT	2000 MAX WIDTH x 1000 MAX HEIGHT
D1	4	4
B, B1, D	2	2
C, F	2	1



ANCHOR BRACKET
TYPE A

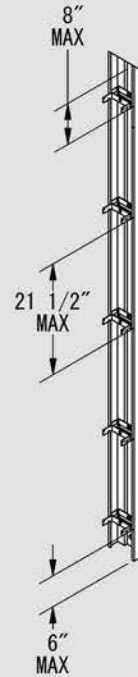
SINGLE



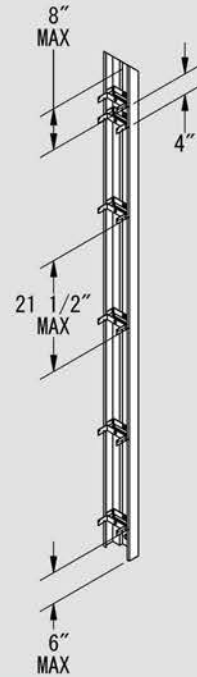
DOUBLE



ANCHOR BRACKET
TYPE H, J, & K



SINGLE



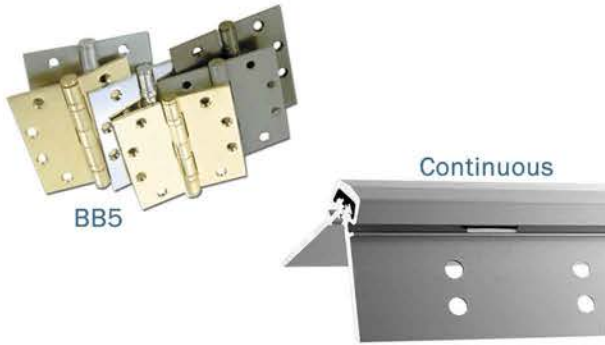
ANCHOR BRACKET
TYPE B & C

DOUBLE

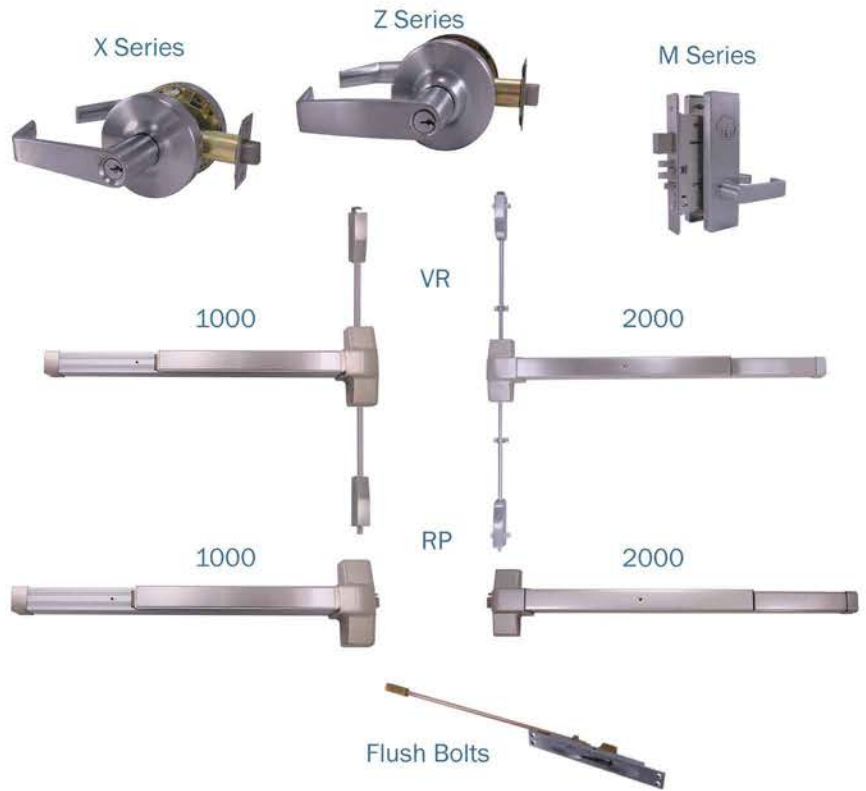
THIS DOCUMENT SHOWS APPROXIMATE INFORMATION

*For more specific fastener + anchor options, please consult the full drawing set at www.hurricaneopenings.com

HANG Your Door



SECURE Your Door



CONTROL Your Door (optional)



SEAL Your Door



PROTECT Your Door (optional)



HMX

We can ship Quickship & Custom material from any of our strategic manufacturing locations nationwide.

Turbo - Same Day

- 1 Day
- 3 Day
- 5 Day
- 7 Day
- 10 Day

HOLLOW METAL XPRESS LOCATIONS



ARIZONA

602 South 65th Ave
Phoenix, AZ 85043
P: (623) 936-7000
E: ?

TEXAS

850 S. Jupiter Rd, Suite 200
Garland, TX 75042
P: (214) 542-3072
E: sales@meskertexas.com

ALABAMA

3440 Stanwood Blvd NE
Huntsville, AL 35811
P: (256) 851-6670
E: sales@meskerdoor.com

FLORIDA

1614 NW 23rd Ave
Ft. Lauderdale, FL 33311
P: (954) 990-4631
E: sales@meskersoutheast.com