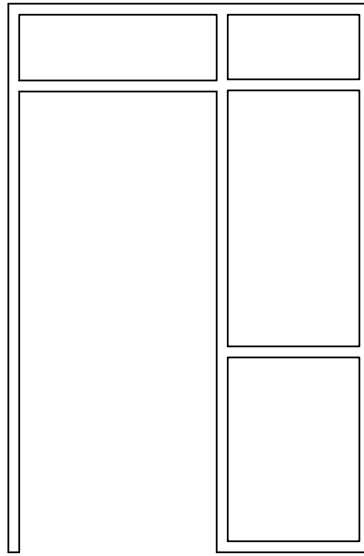


Table of Contents

Mullion and Stick

How to Order an Elevation	M&S-1
Blank and Hinge Stick.....	M&S-2
Strike and Cased Open Stick	M&S-3
Hat Stick	M&S-4
Base Panels	M&S-5
Mullion Profiles	M&S-6
Mullion Corner Post	M&S-7
Glazing Bead.....	M&S-8
Mullions Profiles Standard	M&S-9
Mullion Profiles Custom.....	M&S-10
Stick and Mullion Notches	M&S-11
Mullion Detail.....	M&S-12
Transom Hinge Jambs	M&S-13
Mullion Hinge and Strike Details.....	M&S-14
Mullion Back Notch.....	M&S-15
Base Panel Detail.....	M&S-16
Labeled Transom Frames	M&S-17
Transom and Sidelight Panel.....	M&S-18

**STICK AND MULLION
HOW TO ORDER**



- 1 2 3 4 5 6 7 8 9 10

1 STICK DESIGNATION
S - STICK
M - MULLION

7 LENGTH
107 - 10' 7"

2 METAL TYPE
LEAVE BLANK - COLD ROLLED
Z - GALVANNEALED (A60)
G90 - GALVANIZED (G90)

8 HAND
R - RIGHT
L - LEFT

3 PREP SIDE AND GAUGE
4 - PREP ON 400 SIDE
8 - PREP ON 800 SIDE
THEN DESIGNATE GAUGE

9 FACE
W4F - 4"
W6F - 6"
W1 1/2F - 1 1/2"
LEAVE BLANK - 2"

4 JAMB DEPTH

10 PROFILE
DE - DOUBLE EGRESS
ER - EQUAL RABBET
SR - SINGLE RABBET
COS - CASED OPEN
LEAVE BLANK - UNEQUAL RABBET

5 STICK TYPE
BS - BLANK STICK BM - BLANK MULLION
HS - HINGE STICK HM - HINGE MULLION
SS - STRIKE STICK SM - STRIKE MULLION
CS - CASED OPEN CM - CASED OPEN
HA - HAT HAC - CASED OPEN HAT

6 HINGE PREP LAYOUT
68 - 6'8"
70 - 7'0"
80 - 8'0"
...

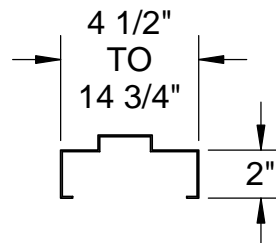
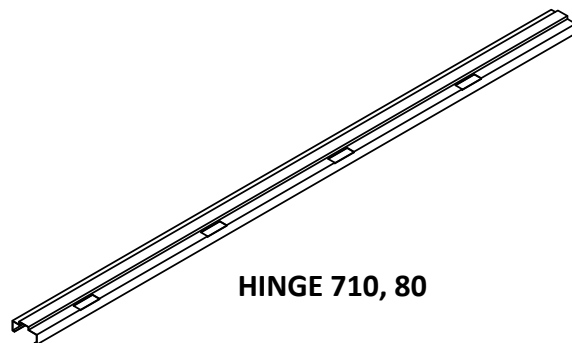
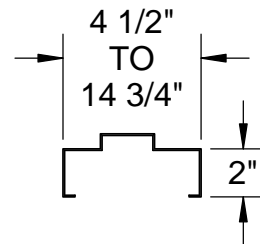
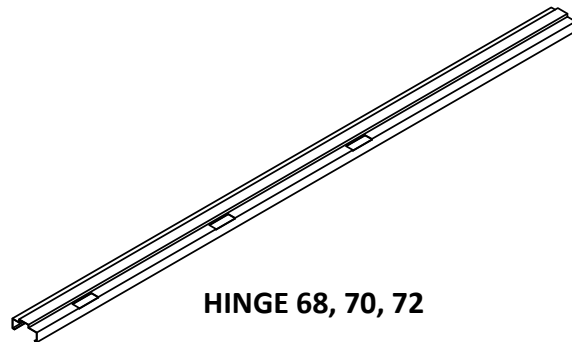
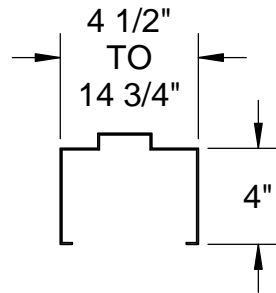
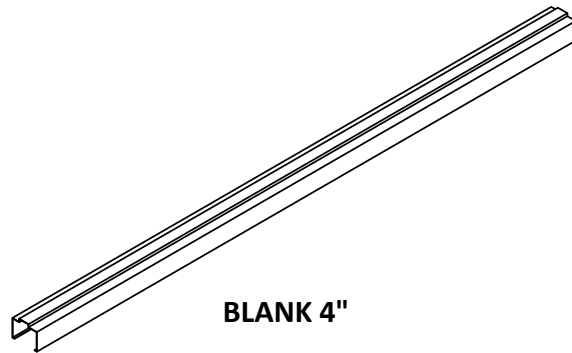
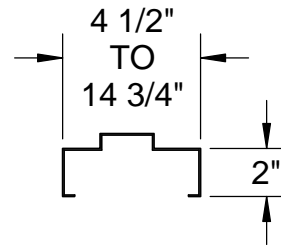
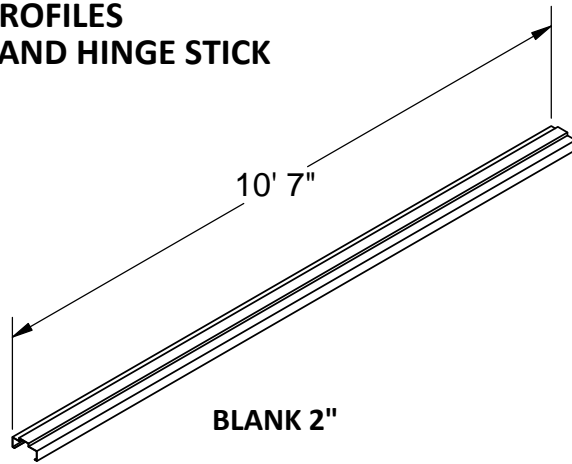
**USE THE APPROPRIATE SYMBOL AS DESIGNATED
ABOVE FOR POSITIONS 1 THRU 10.**

EXAMPLE

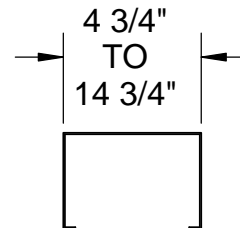
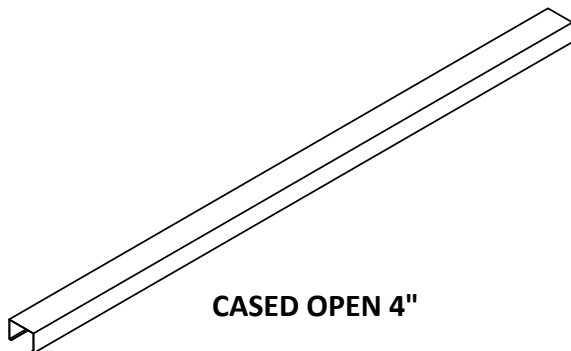
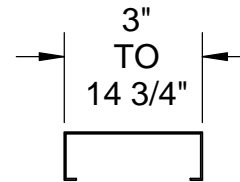
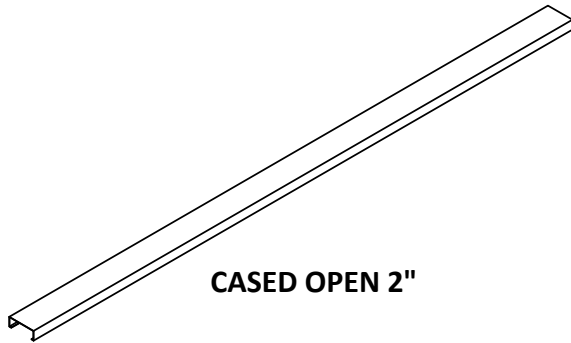
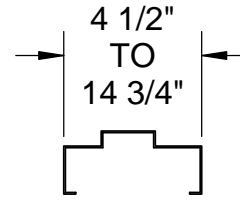
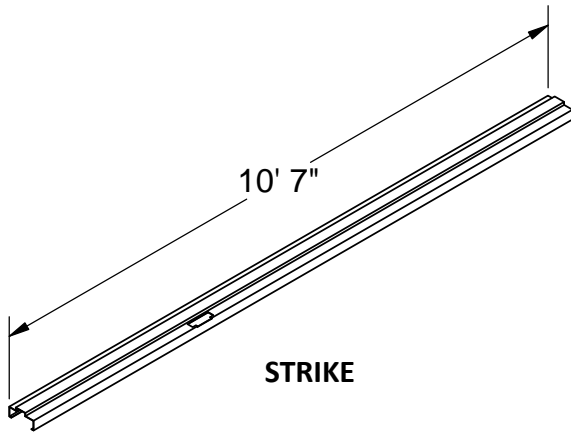
S	Z	418	5 3/4	HS	70	107	R	W4F	SR
1	2	3	4	5	6	7	8	9	10



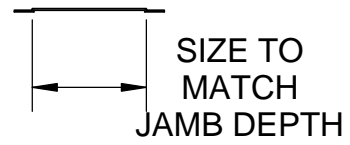
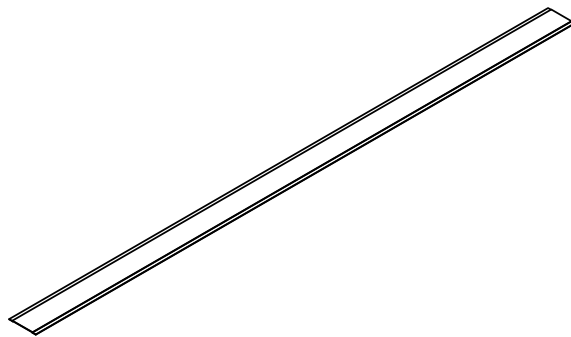
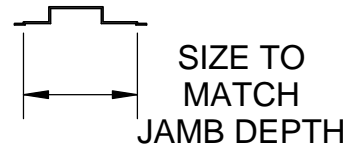
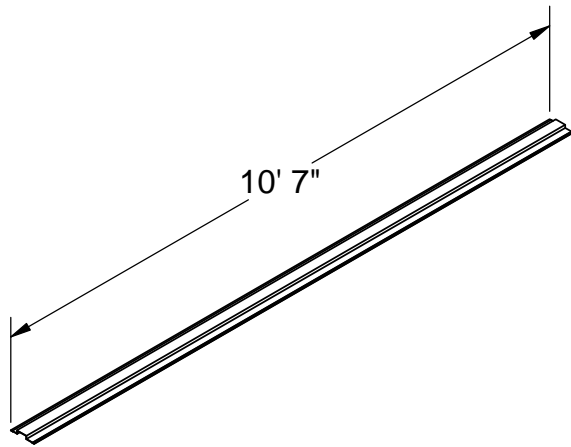
STICK PROFILES
BLANK AND HINGE STICK



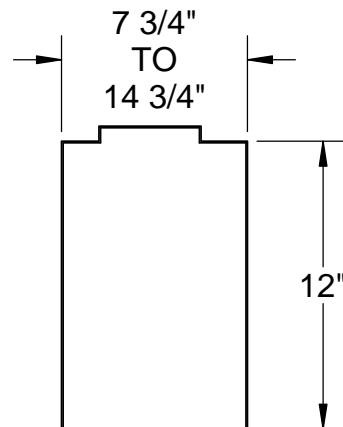
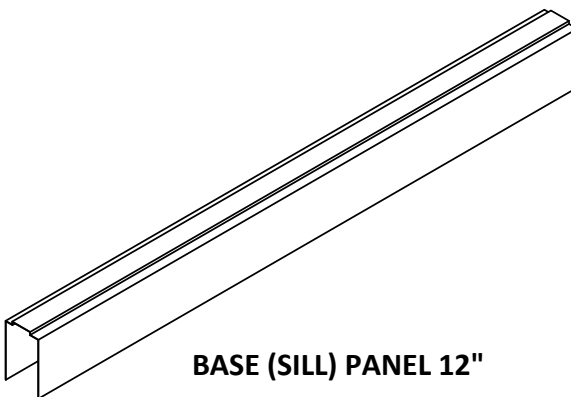
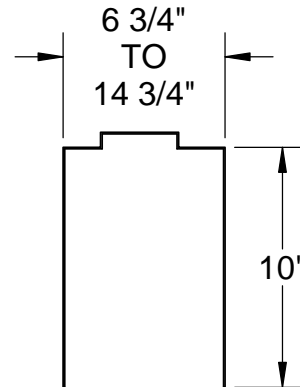
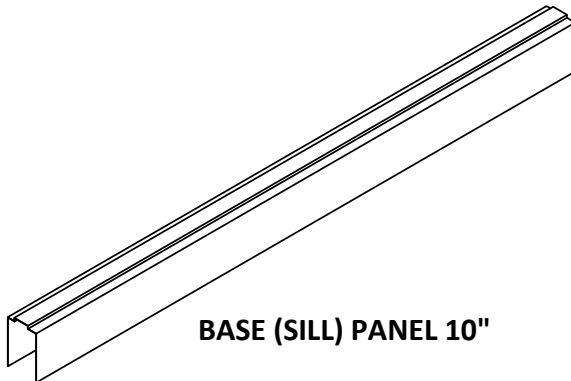
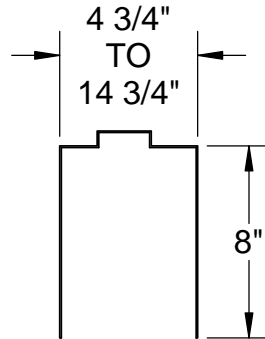
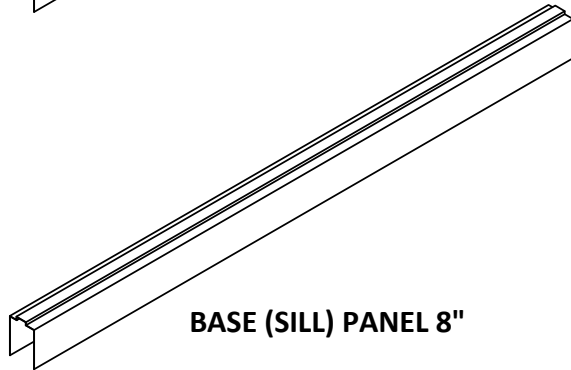
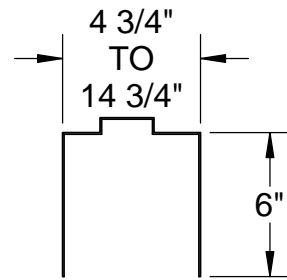
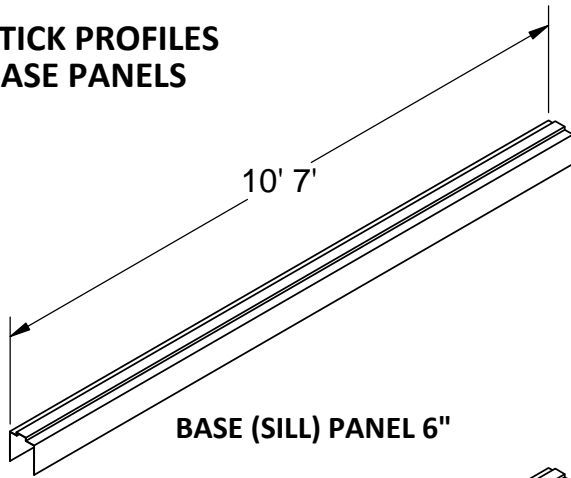
**STICK PROFILES
STRIKE AND CASED OPEN STICK**



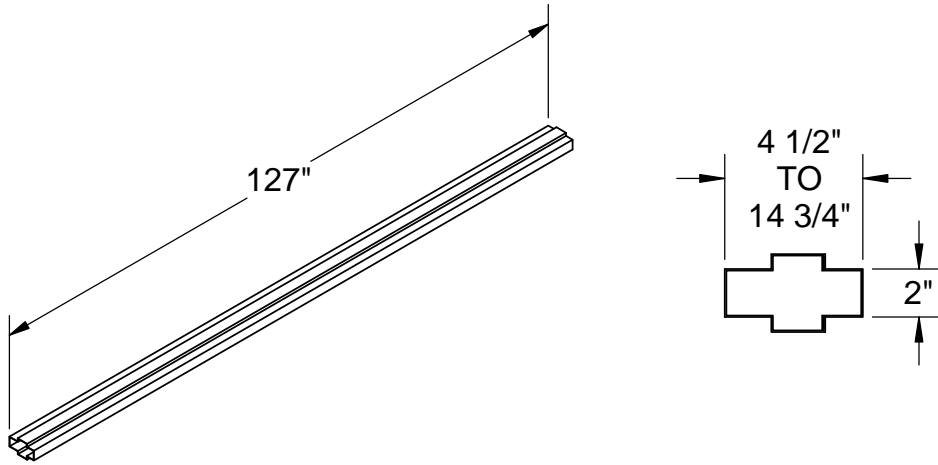
STICK PROFILES
HAT STICK



**STICK PROFILES
BASE PANELS**



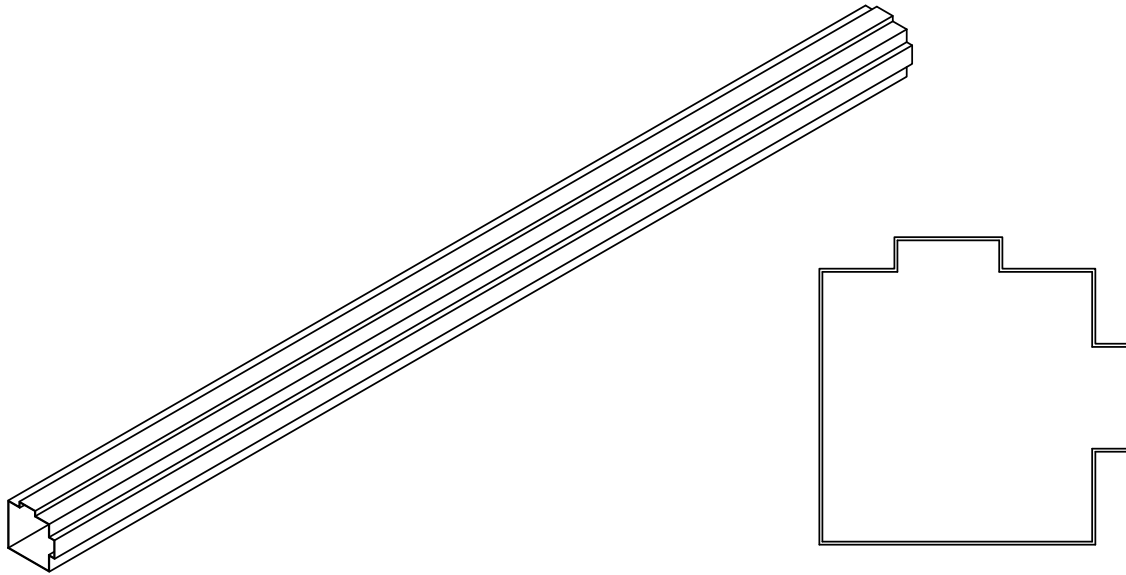
MULLION PROFILES



STANDARD HARDWARE PREPS.
HINGES FOR 6' 8", 7'0"
OTHERS AVAILABLE BY SPECIAL ORDER
STRIKES U STRIKE
OTHERS AVAILABLE BY SPECIAL ORDER
OTHER FACES AVAILABLE 1" TO 12"

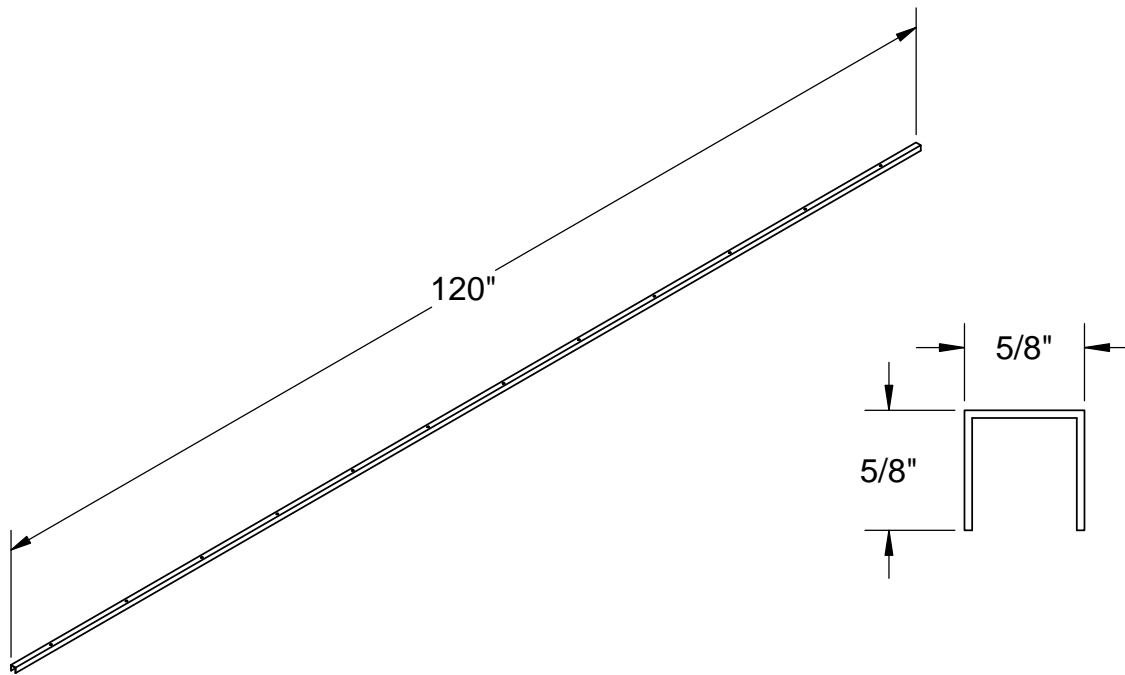


CORNER POST



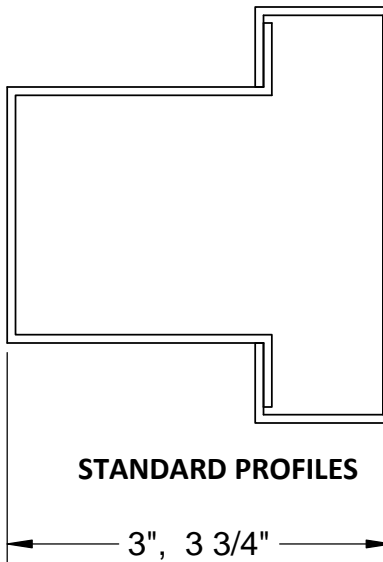
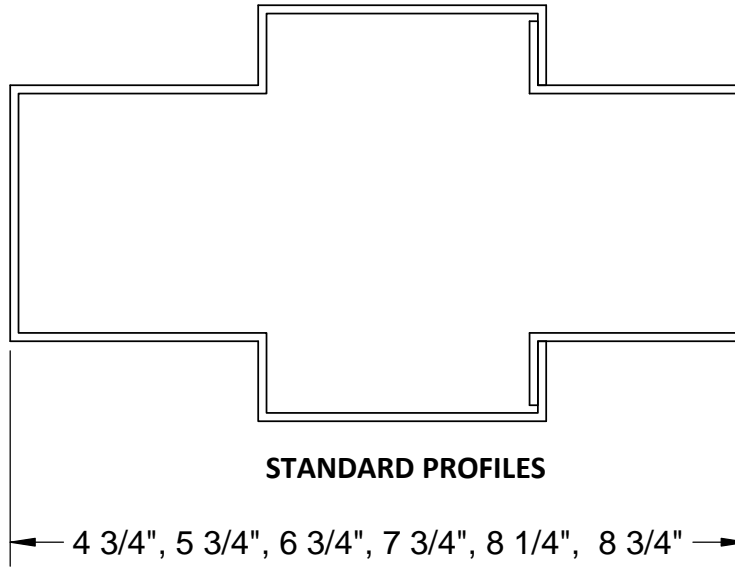
RABBETS AND DIMENSIONS CAN VARY.
PLEASE CONTACT FACTORY

GLAZING BEAD

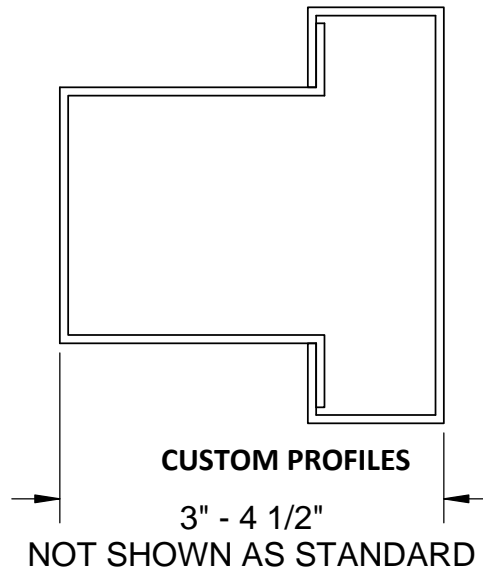
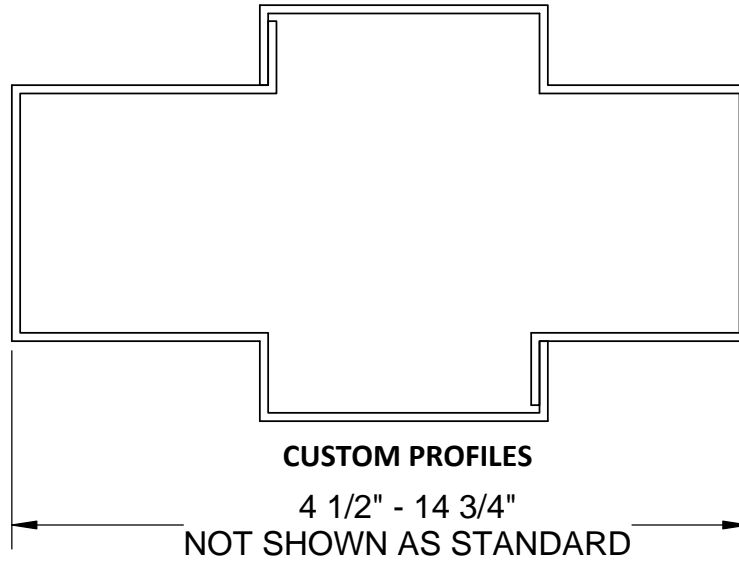


PREPARED FOR #10 X 1 1/4" SCREW

STICK AND MULLION
MULLION STANDARD PROFILES

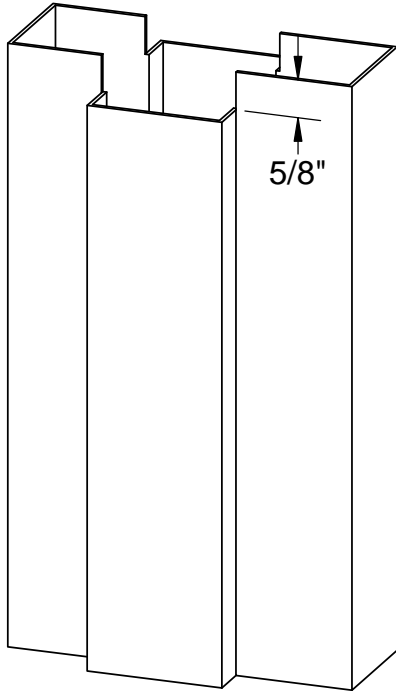


**STICK AND MULLION
MULLION CUSTOM PROFILES**

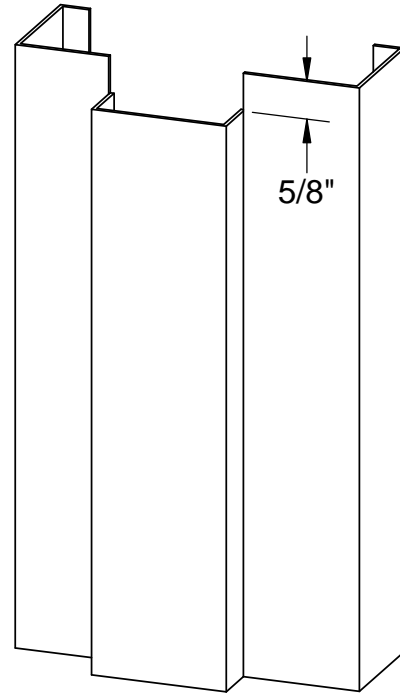


STICK AND MULLION NOTCHES

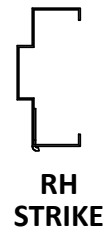
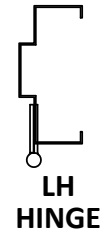
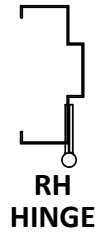
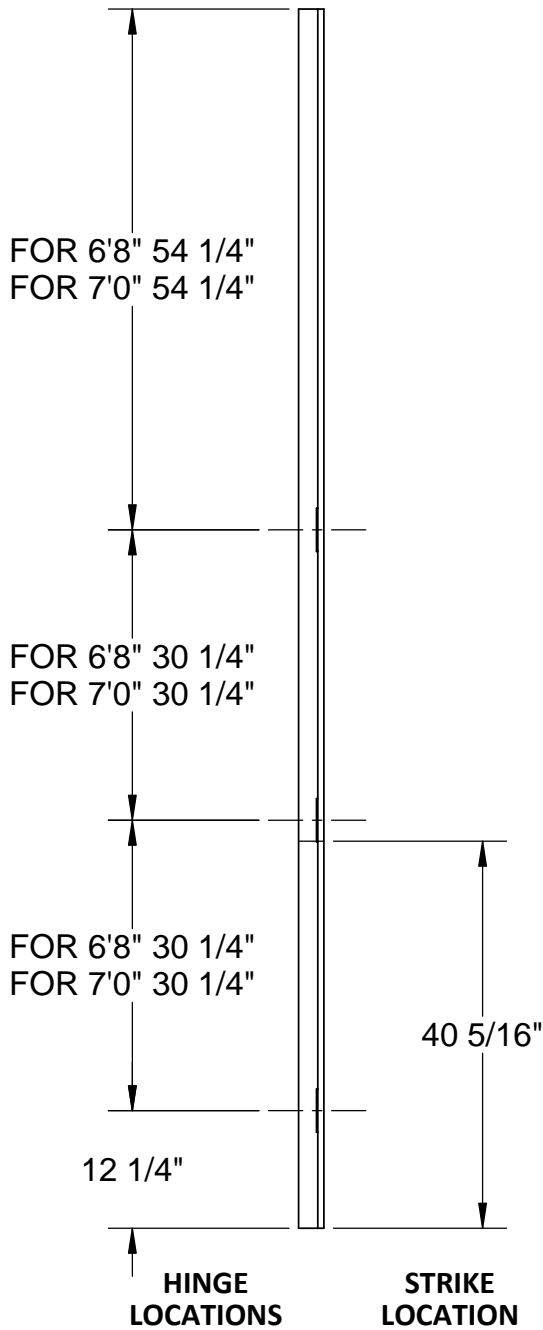
MULLION NOTCH



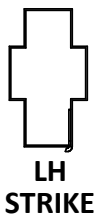
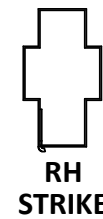
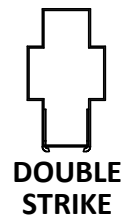
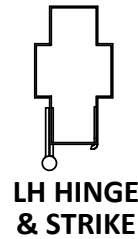
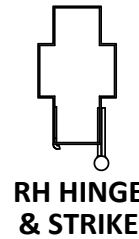
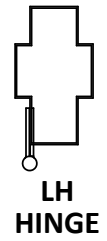
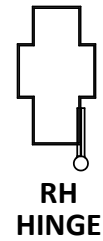
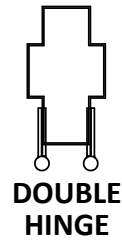
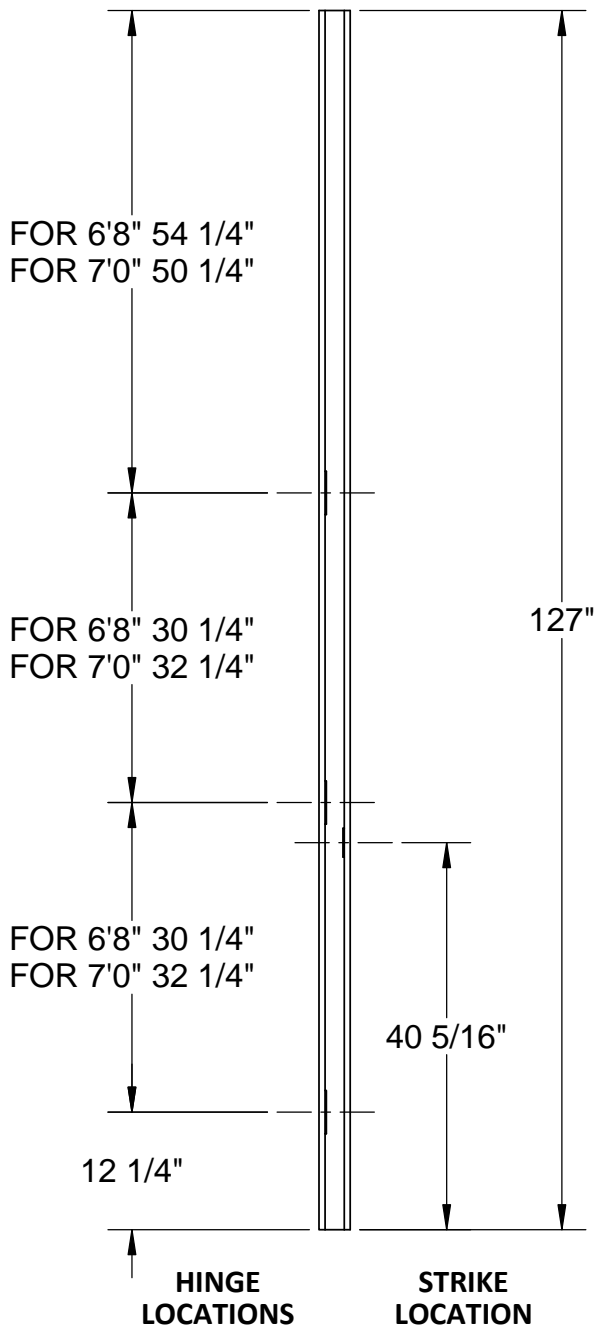
STICK NOTCH



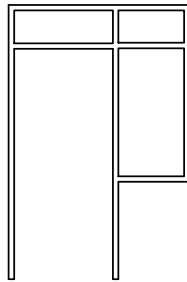
S416 STANDARD FRAME COMPONENTS
TRANSOM HINGE JAMBS 6'8" & 7'0" HIGH DOORS



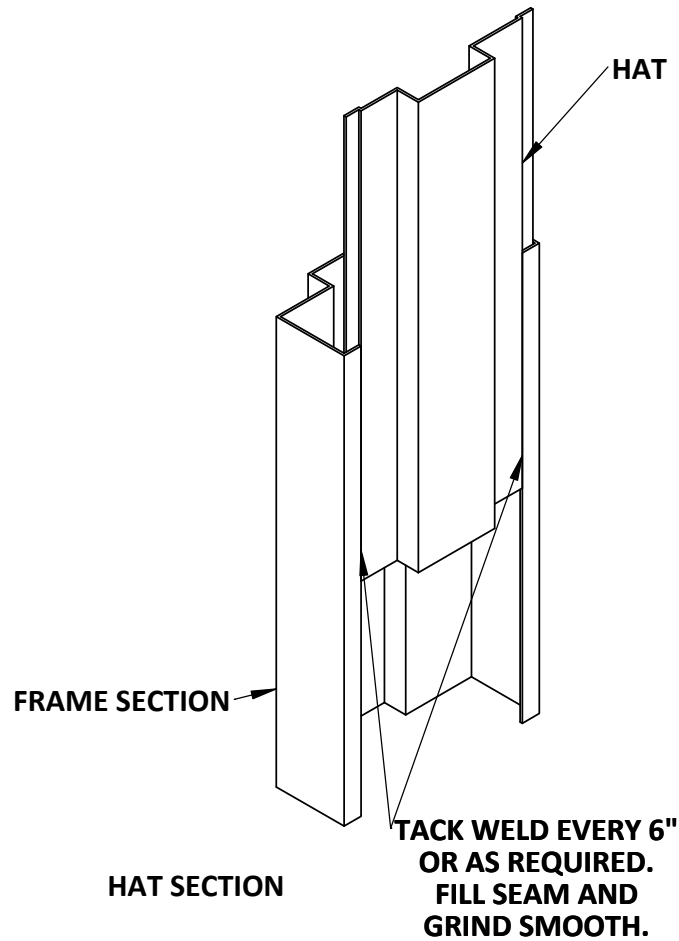
M416 STANDARD FRAME COMPONENTS
MULLION 6'8" & 7'0"



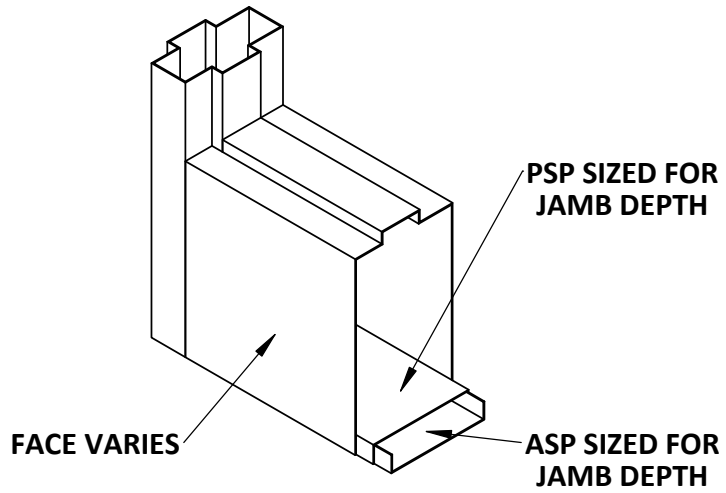
STICK MODIFICATION DETAILS



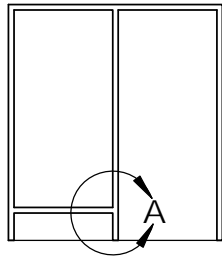
TYPICAL SECTION



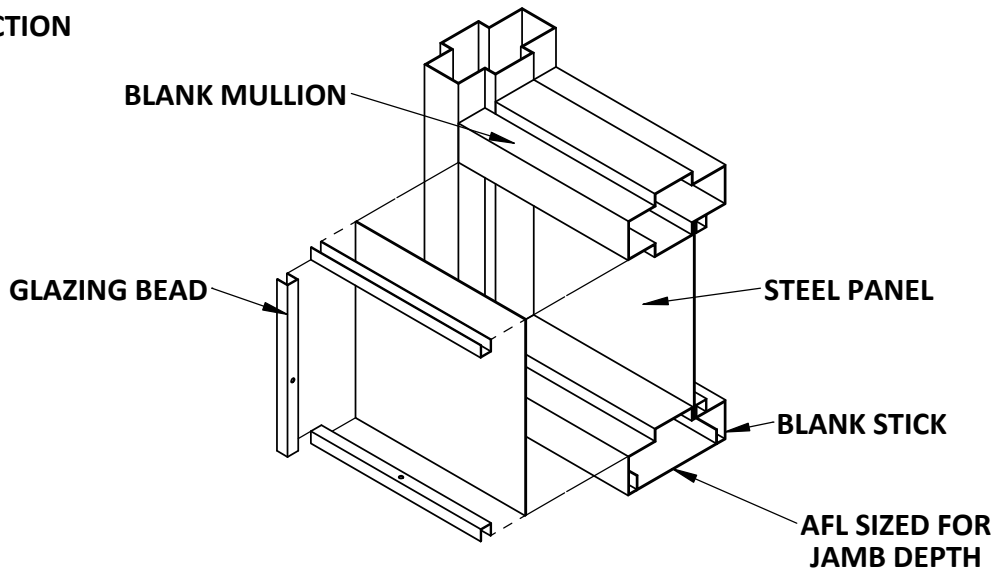
STICK MODIFICATION DETAILS



STANDARD BASE PANEL

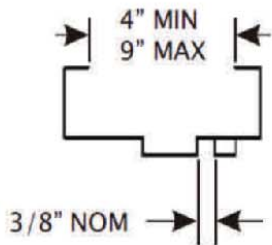
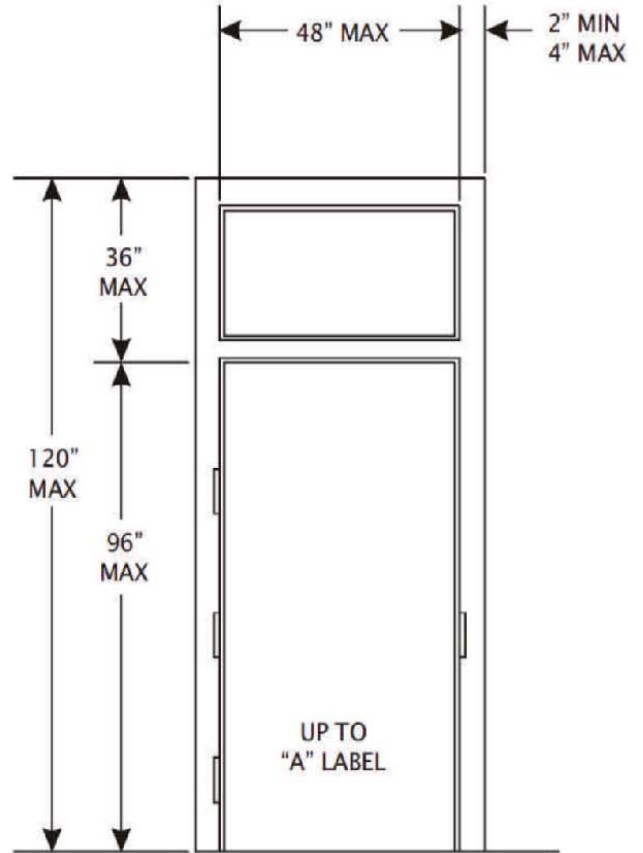
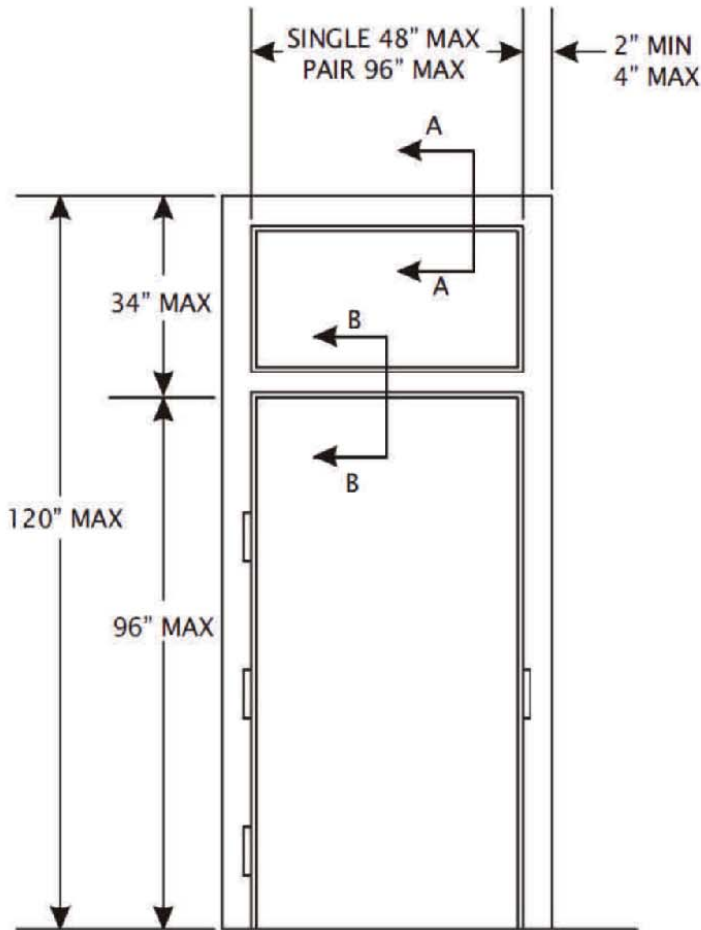


TYPICAL SECTION

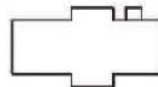


ALTERNATE BASE PANEL ASSEMBLY

**UNDERWRITERS LABORATORIES
APPROVED TRANSOM FRAMES**



SECTION A-A



SECTION B-B

MATERIAL: 16 GA C.R. STEEL
JAMB DEPTH: 4 MIN - 12 3/4" MAX
PANEL: 20 GA x 1 3/4"

MATERIAL: 16 GA C.R. STEEL
JAMB DEPTH: 4" MIN TO 9" MAX
PANEL: 20 GA MIN TO 16 GA
MAX STEEL OR 1296 SQ

TRANSOM / SIDE LITE PANEL

