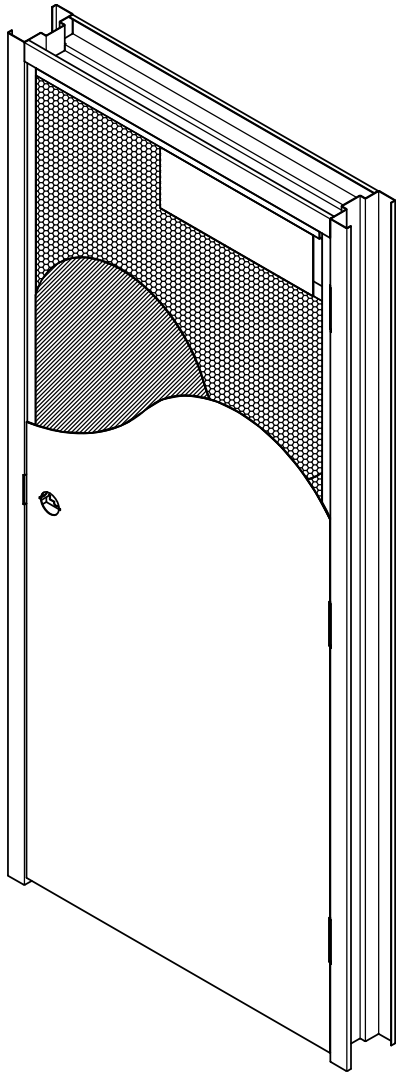


# Table of Contents

## Specialty Assemblies

Bullet Assembly.....	S-1
Tornado Door 361 1 of 2.....	S-2
Tornado Door 361 1 of 2.....	S-3
Safe Room Door.....	S-4
Hurricane Assemblies.....	S-8

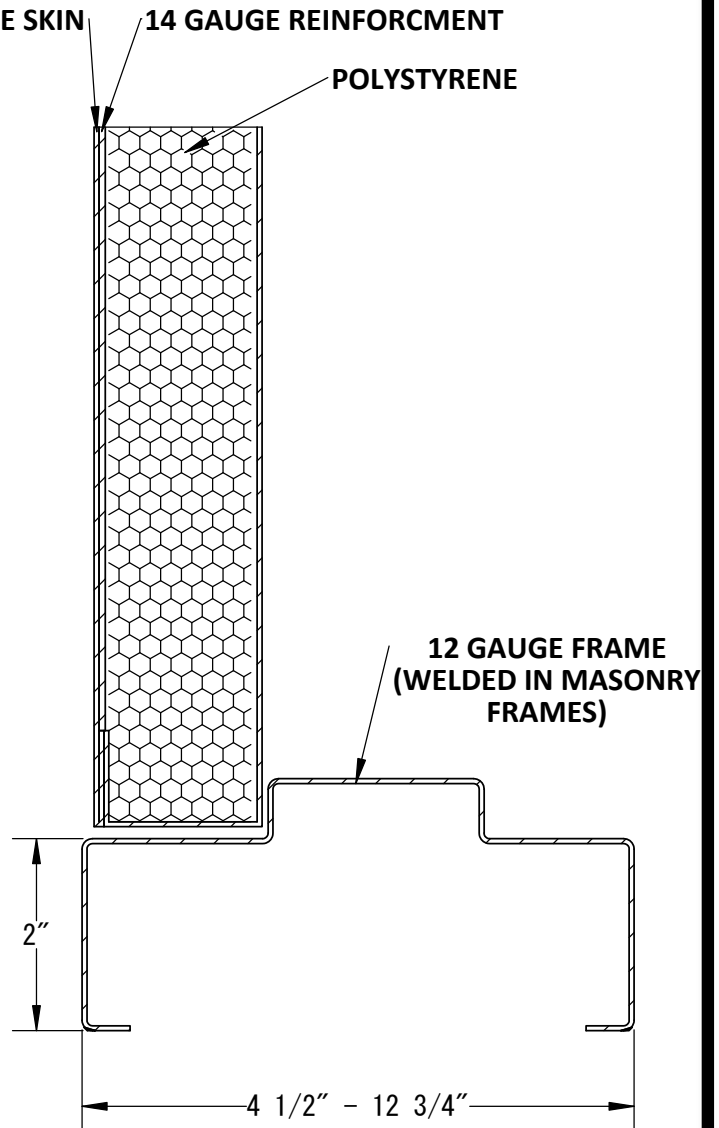
**BULLET ASSEMBLY**



14 GAUGE SKIN

14 GAUGE REINFORCEMENT

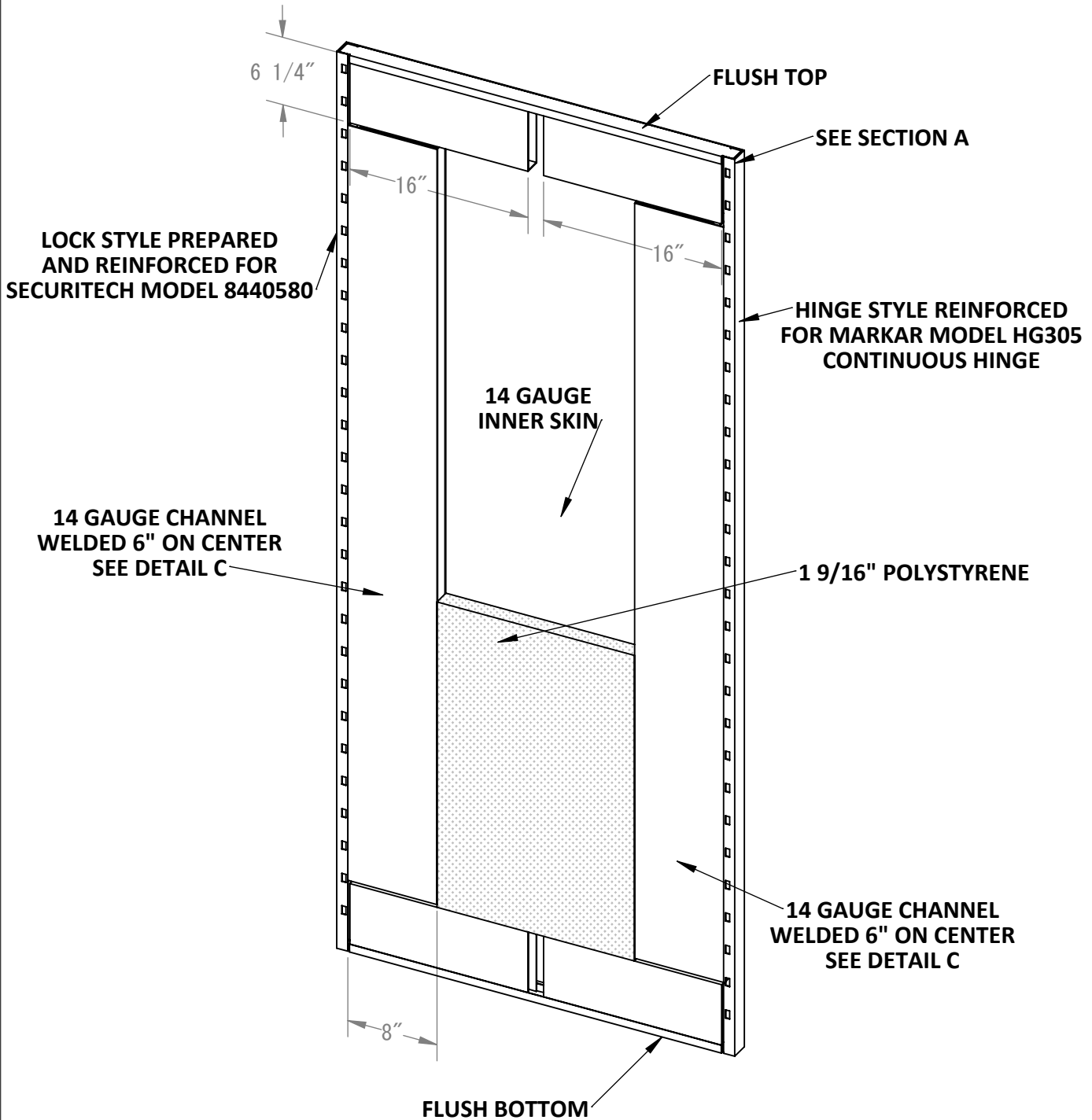
POLYSTYRENE



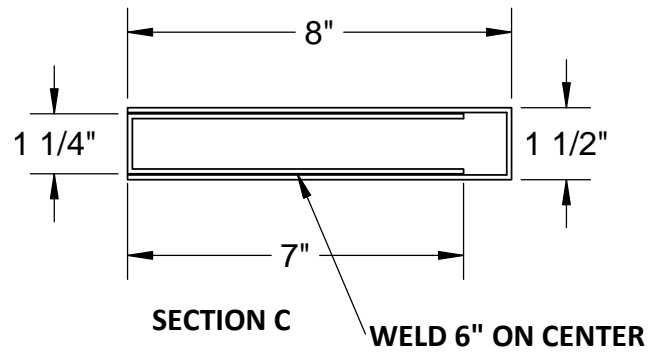
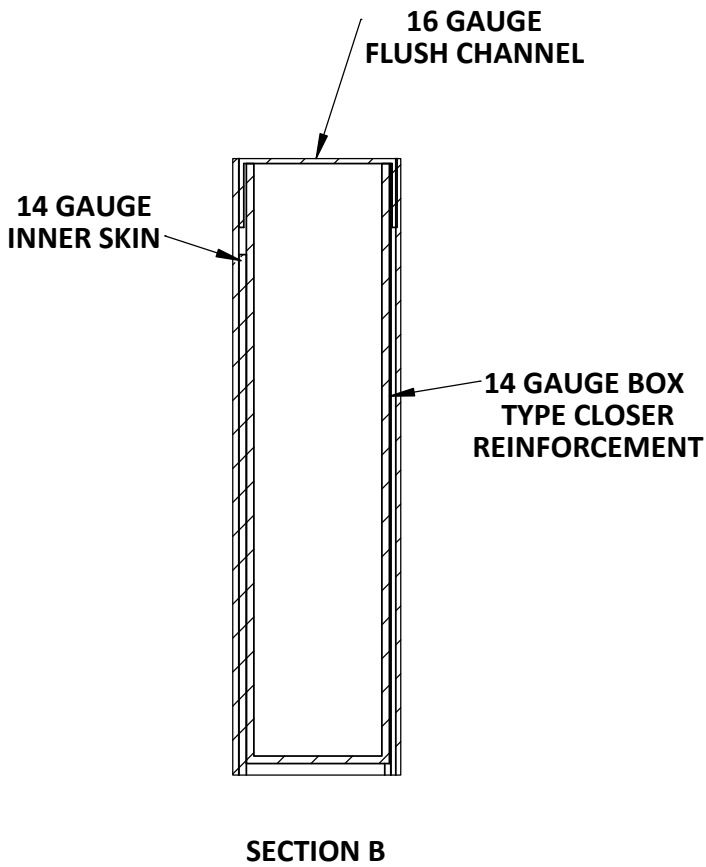
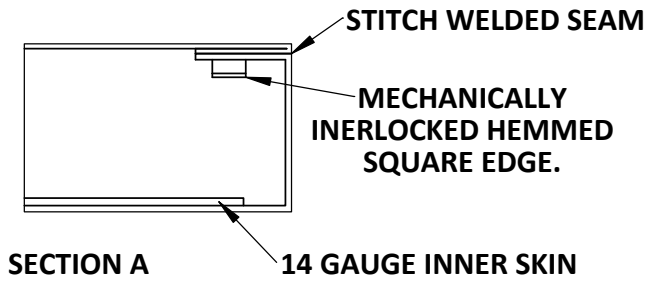
**UL 752 - BULLET RESISTANT UP TO LEVEL 3  
GLASS LITE AVAILABLE: 10" X 10" MIN. 28" X 58" MAX  
WITH APPROPRIATE GLAZING (BY OTHERS)**

TORNADO DOOR 361

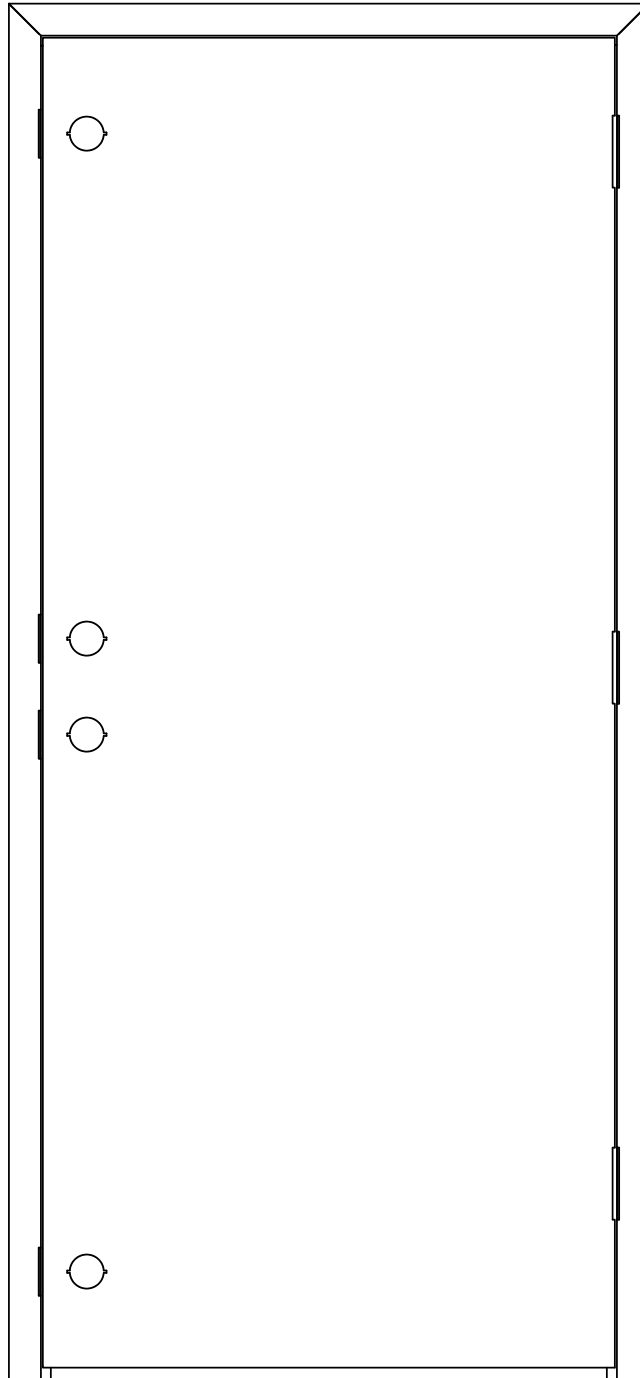
3070NP X 1 3/4" X 16 GAUGE X 14 GAUGE INNER SKIN ON IMPACT FACE X 14 GAUGE REINFORCING DOOR EDGES @2" ON CENTER X MARKAR CONTINUOUS HINGE #HG3057S X SECURITECH 3 POINT LOCKING SYSTEM #8444SBO HARDWARE BY OTHERS.



TORNADO DOOR 361



**SPECIALTY  
SAFE ROOM DOOR**



PAGES INTENTIONALLY  
LEFT BLANK



HURRICANE ASSEMBLIES

COMING SOON