

Electronic Hinge Preparations

1 Purpose

It is the intention of this document to furnish users of standard steel frames with practical information regarding an acceptable method for preparing frames for 4-½" electric hinges. This document will allow frame manufacturers to provide frames prior to having knowledge of the specific electric hinge being used.

2 Scope

The information contained herein pertains to frames manufactured in accordance with ANSI A250.8. The preparation as defined herein will accommodate the majority of electric hinges sold. It is the responsibility of the hardware specifier to assure compatible hinges are used.

3 Reference Documents

ANSI A250.6 Recommended Practice for Hardware Reinforcing on Standard Steel Doors and Frames.

ANSI A250.8 SDI-100 Recommended Specifications for Standard Steel Doors and Frames.

4 Location

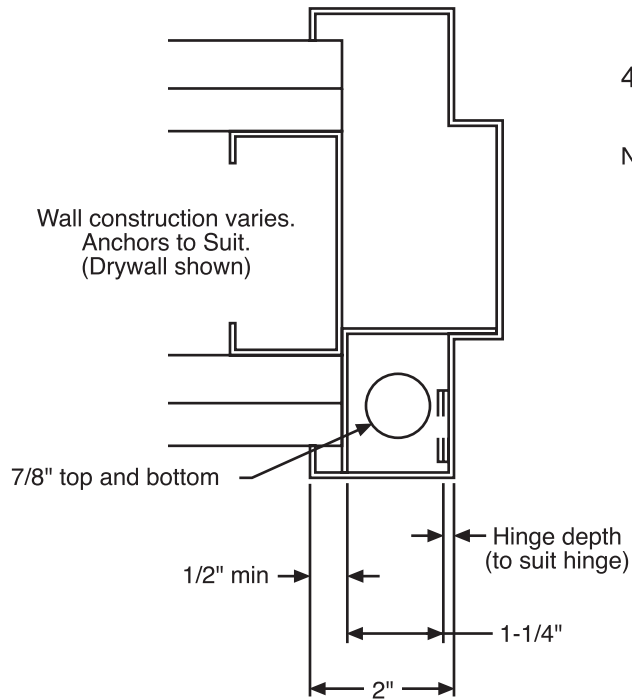
The preparation for electric hinges is intended to be non-load bearing. Therefore it shall be located in the center hinge preparation on frames with 1-½ pair of hinges, and on the second hinge from the bottom on frames with 2 pair of hinges.

5 Hinge Reinforcement

The hinge reinforcement shall comply with ANSI A250.6 and ANSI A250.8, and shall incorporate cutouts as shown in Figure 1.

6 Junction Box

A junction box shall be provided to facilitate wiring and connector installation. In addition, a hole shall be provided at the top and bottom of the junction box to facilitate conduit (see Figure 1). It is the responsibility of the electrical contractor to plug any unused holes.

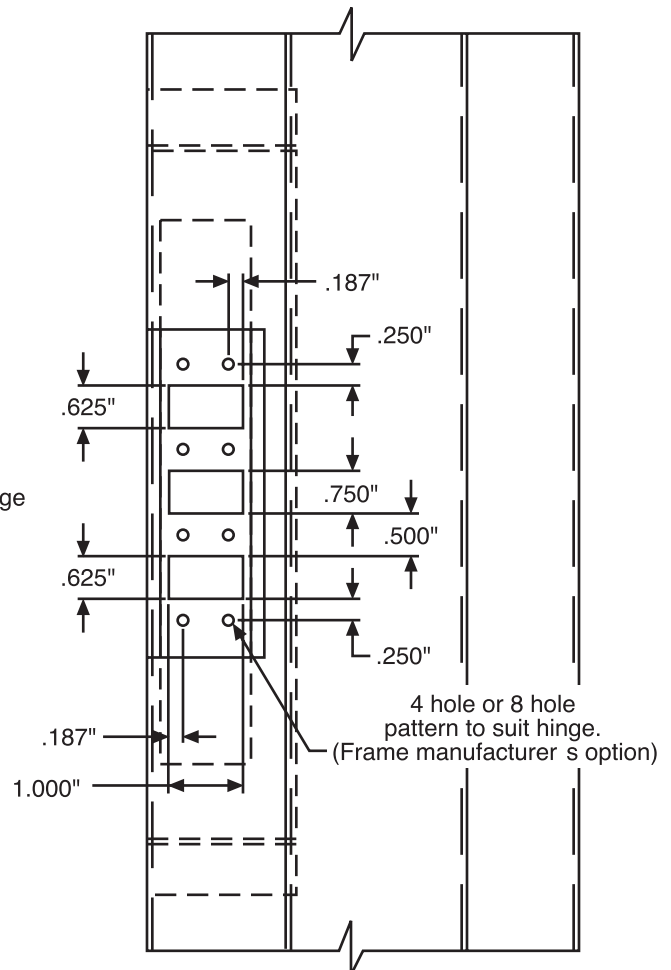


4-1/2" Electric hinge prep.
on standard frame.

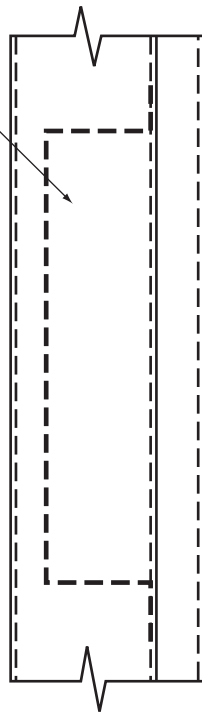
Not to be used in load-bearing
hinge location.

20 ga. minimum
junction box
welded to frame.

Note:
Junction box to
facilitate wiring and
connector installation.

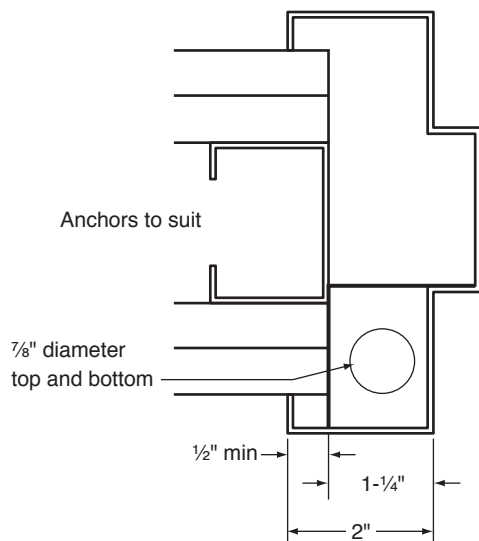
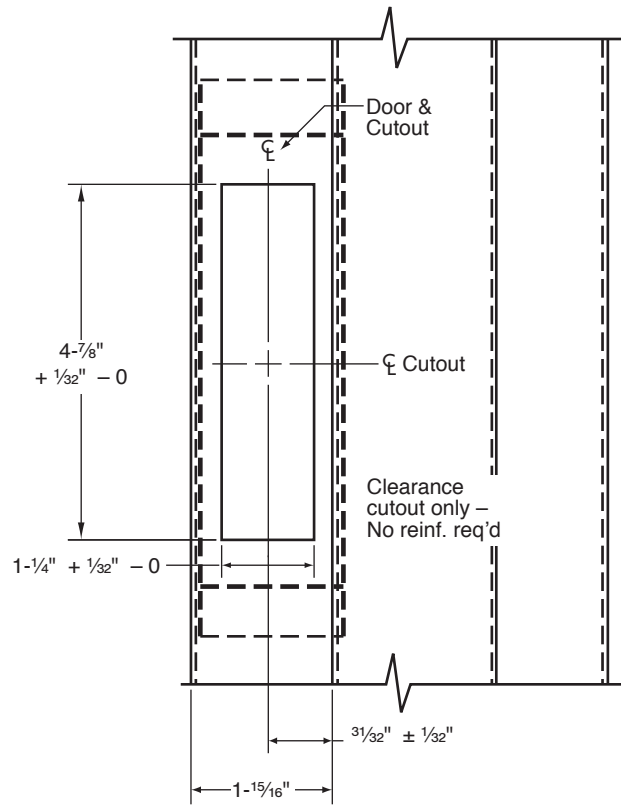


20 Ga. junction box welded to frame



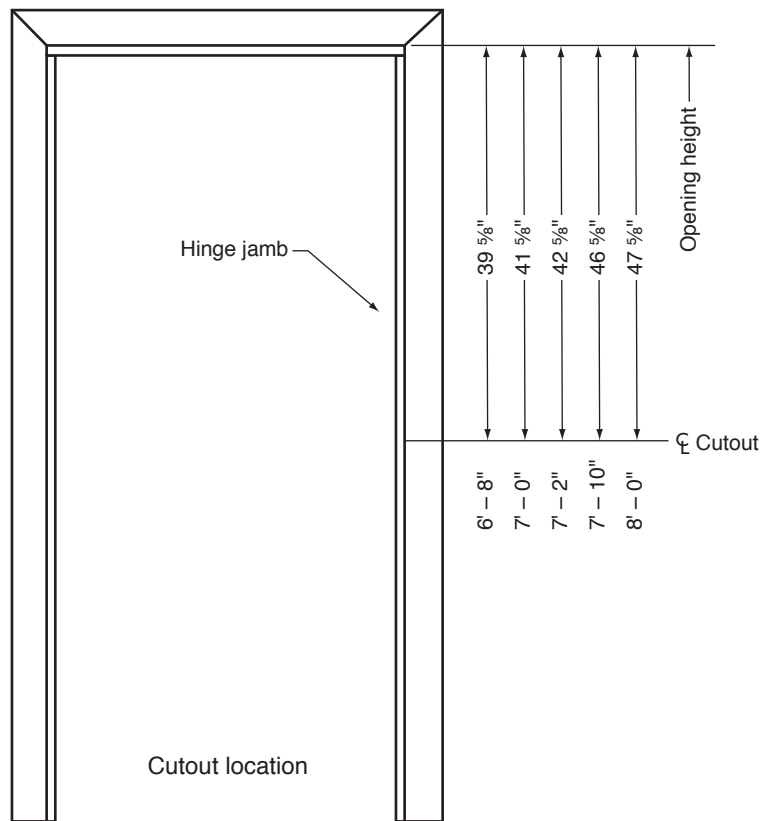
NOTE:

Box configuration must provide access to facilitate wiring and connector installation.



NOTE:

Detail does not apply to drywall slip-on type frames



Electrified Continuous Hinge Preparation on Standard Steel Frame

AVAILABLE PUBLICATIONS

Specifications

- ANSI/SDI A250.6** Recommended Practice for Hardware Reinforcings on Standard Steel Doors and Frames
- ANSI/SDI A250.8** SDI 100 Specifications for Standard Steel Doors & Frames
- SDI-108** Recommended Selection & Usage Guide for Standard Steel Doors
- SDI-118** Basic Fire Door, Fire Door Frame, Transom/Sidelight Frame, and Window Frame Requirements
- SDI-128** Guidelines for Acoustical Performance of Standard Steel Doors & Frames
- SDI-129** Hinge & Strike Spacing

Test Procedures

- ANSI/SDI A250.3** Test Procedure & Acceptance Criteria for Factory Applied Finish Coatings for Steel Doors & Frames
- ANSI/SDI A250.4** Test Procedure & Acceptance Criteria for Physical Endurance for Steel Doors, Frames and Frame Anchors
- ANSI/SDI A250.10** Test Procedure & Acceptance Criteria for Prime Painted Steel Surfaces for Steel Doors & Frames
- ANSI/SDI A250.13** Testing and Rating of Severe Windstorm Resistant Components for Swinging Door Assemblies for Protection of Building Envelopes (Not applicable for FEMA 320/361 or ICC-500 Shelters)
- SDI-113** Standard Practice for Determining the Steady State Thermal Transmittance of Steel Door & Frame Assemblies
- SDI-131** Accelerated Physical Endurance Test Procedure for Steel Doors, Frames and Frame Anchors

Construction Details

- ANSI/SDI A250.11** Recommended Erection Instructions for Steel Frames
- SDI-110** Standard Steel Doors & Frames for Modular Masonry Construction
- SDI-111** Recommended Details for Standard Details Steel Doors, Frames, Accessories and Related Components
- SDI-122** Installation Troubleshooting Guide for Standard Steel Doors & Frames

Miscellaneous Documents

- SDI-112** Zinc-Coated (Galvanized/Galvannealed) Standard Steel Doors & Frames
- SDI-117** Manufacturing Tolerances for Standard Steel Doors & Frames
- SDI-124** Maintenance of Standard Steel Doors & Frames
- SDI-127** Industry Alert Series (A-L)
- SDI-130** Electrified Hinge Preparations
- SDI-134** Nomenclature for Standard Steel Doors & Steel Frames

AUDIO-VISUAL PROGRAMS ALSO AVAILABLE

MEMBERS OF THE STEEL DOOR INSTITUTE

CECO DOOR
9159 Telecom Drive
Milan, TN 38358
(731) 686-8345
www.cecodoor.com

CURRIES
P.O. Box 1648
Mason City, IA 50402-1648
(641) 423-1334
www.curries.com

DEANSTEEL MANUFACTURING CO.
931 S. Flores Street
San Antonio, TX 78204-1406
(210) 226-8271
www.deansteel.com

DOOR COMPONENTS INC.
7980 Redwood Avenue
Fontana, CA 92336-1638
(909) 770-5700
www.doorcomponents.com

HOLLOW METAL XPRESS
602 S. 65th Avenue
Phoenix, AZ 85043
623-936-7000
www.HMXpress.com

MESKER DOOR, INC.
3440 Stanwood Boulevard
Huntsville, AL 35811-9021
(256) 851-6670
www.meskerdoor.com

MPI
319 North Hills Road
Corbin, KY 40701
(606) 523-0173
www.metalproductsinc.com

PIONEER INDUSTRIES, INC.
171 South Newman Street
Hackensack, NJ 07601
(201) 933-1900
www.pioneerindustries.com

REPUBLIC DOORS & FRAMES
155 Republic Drive
McKenzie, TN 38201-0580
(731) 352-3383
www.republicdoor.com

SECURITY METAL PRODUCTS
5700 Hannum Avenue, Suite 250
Culver City, CA 90230
(310) 641-6690
www.secmet.com

STEELCRAFT
9017 Blue Ash Road
Cincinnati, OH 45242
(513) 745-6400
www.steelcraft.com



Standards As Tough As Steel.™

STEEL DOOR INSTITUTE

30200 DETROIT ROAD • CLEVELAND, OHIO 44145

440.899.0010 • FAX 440.892.1404

www.steeldoor.org