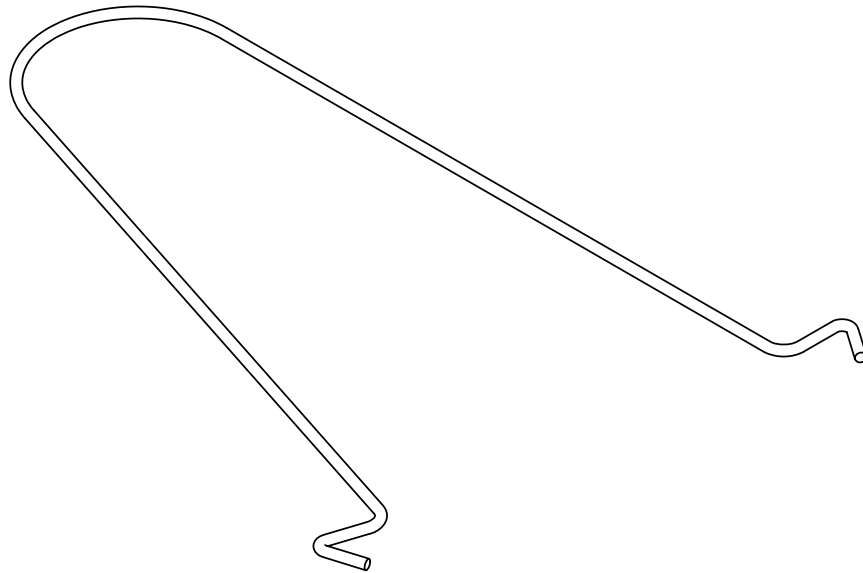


Table of Contents

Frame Parts

Wire Anchor	PF-1
T Anchor	PF-2
Double Egress T Anchor	PF-3
Double Egress Multi-Purpose Anchor	PF-4
UNA Anchor	PF-5
5 ¾" UNA Anchor	PF-6
Wood Strap Anchor.....	PF-7
Steel Stud Anchor.....	PF-8
Z Anchor	PF-9
Tube Anchor.....	PF-10
AEW Anchor	PF-11
Floor Anchor.....	PF-12
Adjustable Floor Anchor	PF-13
Drywall Snap in Anchor	PF-14
Drywall Compression Anchor.....	PF-15
Adjustable Anchor.....	PF-16
Mullion Anchor	PF-17
Closer Reinforcement Frame Face (CRF)	PF-18
Closer Reinforcement 4 ½" Frame	PF-19
Closer Reinforcement Sleeve.....	PF-20
Frame Filler Plate	PF-21
Hinge Reinforcement	PF-22
Hinge Plaster Guard	PF-23
Reversible Flush Bolt Strike and Reinforcement	PF-24
Strike Filler	PF-25
U Strike Reinforcement and Plaster Guard.....	PF-26
C Strike Reinforcement with Plaster Guard	PF-27
Spreader Bar	PF-28
Plastic Plug	PF-29
Mutes	PF-30
Corner Frame Tab	PF-31
Mullion Clip	PF-32

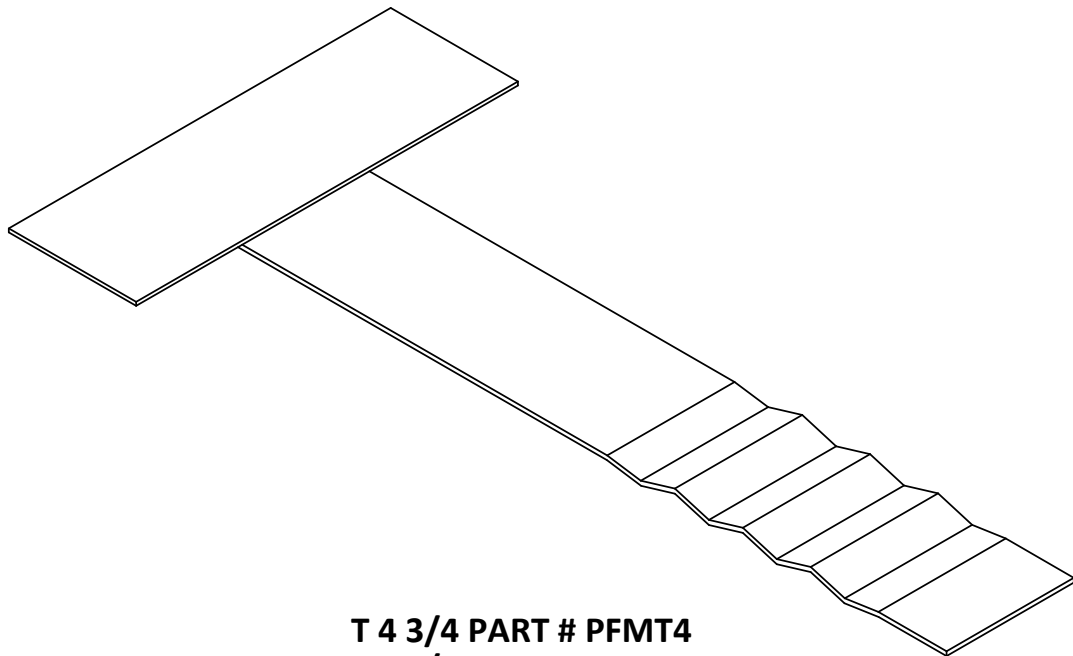
**PARTS - FRAME
MASONRY WIRE ANCHOR**



**PART # PFWA
MASONRY WIRE ANCHOR**



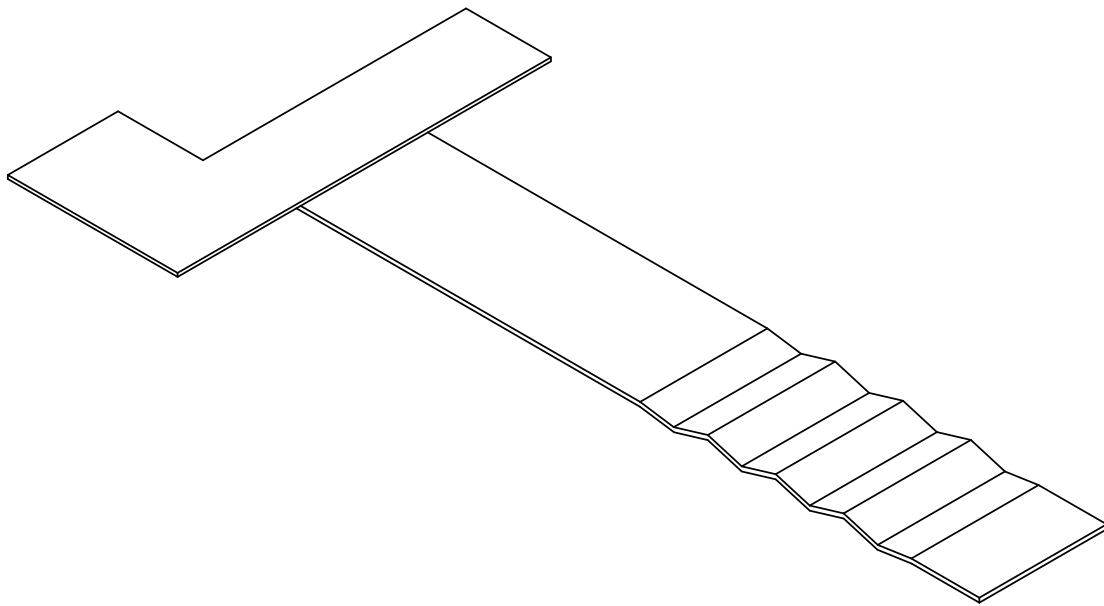
**PARTS - FRAME
MASONRY "T" ANCHOR**



**T 4 3/4 PART # PFMT4
T 5 3/4 PART # PFMT5
T 6 3/4 PART # PFMT6
T 7 3/4 PART # PFMT7
T 8 3/4 PART # PFMT8**



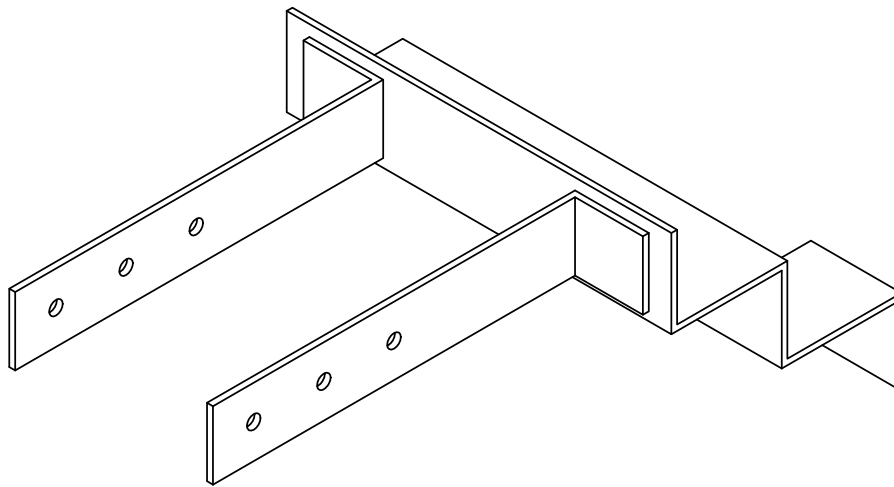
PARTS - FRAME
MASONRY "T" ANCHOR



T 5 3/4 DOUBLE EGRESS PART # PFDE684



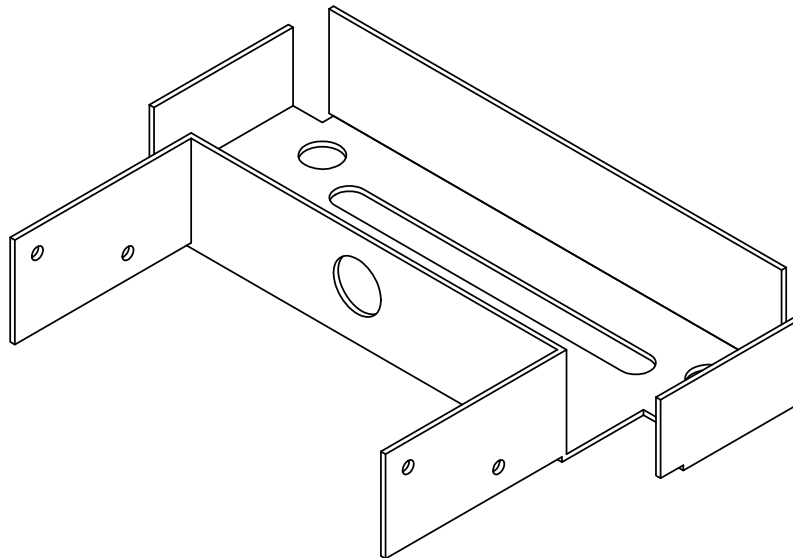
**PARTS - FRAME
MULTI-PURPOSE EGRESS ANCHOR**



PART # PFDE680



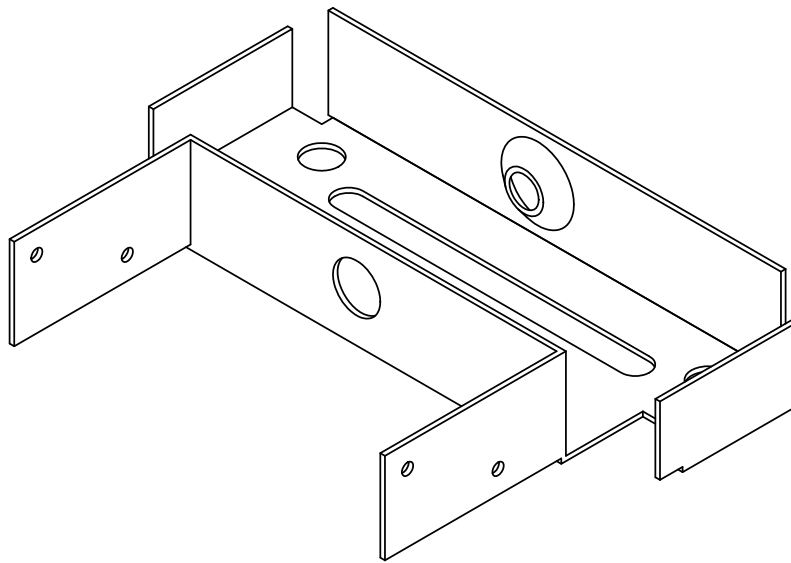
**PARTS - FRAME
UNIVERSAL ANCHOR**



4 3/4 PART # PFUA4
6 3/4 PART # PFUA6
7 1/4 PART # PFUA725
7 3/4 PART # PFUA7
8 1/4 PART # PFUA825
8 3/4 PART # PFUA8



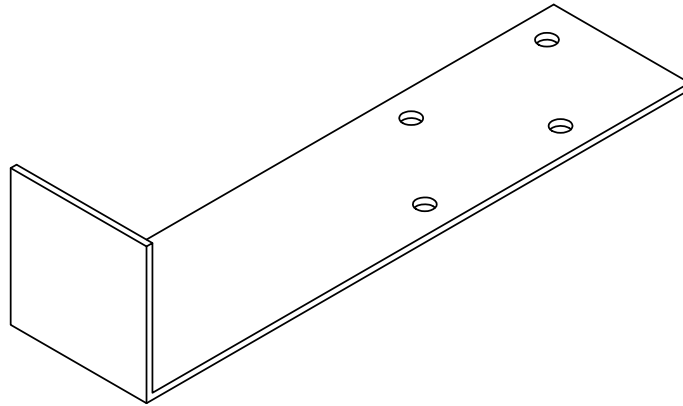
PARTS-FRAME
5 3/4" UNIVERSAL ANCHOR



5 3/4" PART # PFUA5



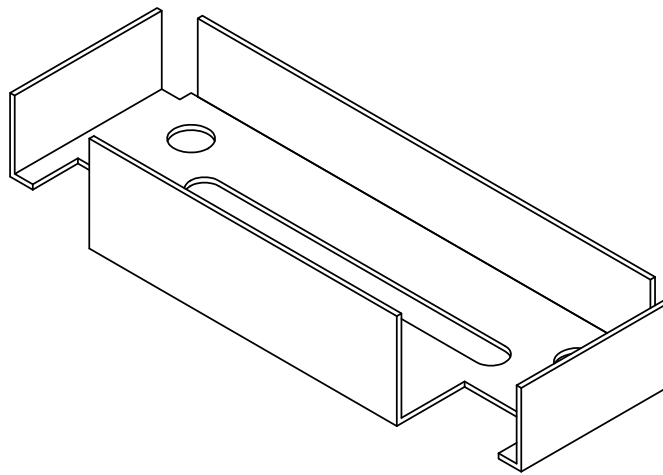
PARTS - FRAME
WOOD STUD STRAP ANCHOR



PART # PFWSSA



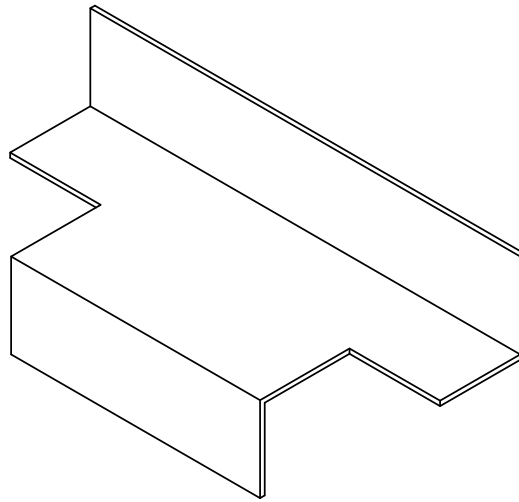
PARTS - FRAME
STEEL STUD ANCHOR 5 3/4



PART # PFSSA5



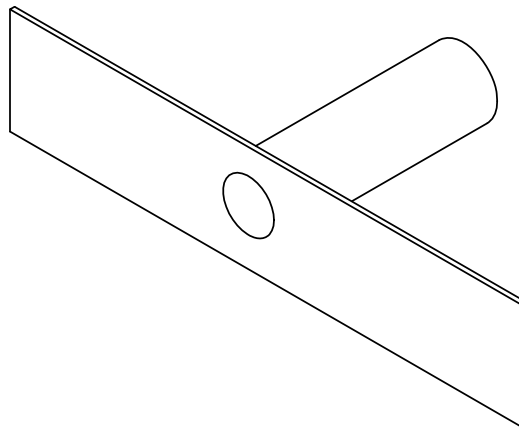
**PARTS - FRAME
ZEE ANCHOR**



**4 3/4" PART # PFZA475
5 3/4" PART # PFZA575
6 3/4" PART # PFZA675
7 3/4" PART # PFZA775
8 3/4" PART # PFZA875**



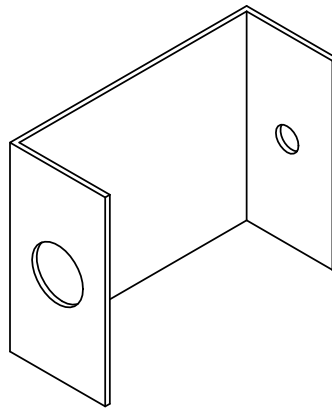
PARTS - FRAME
TUBE



PART # PFMTA

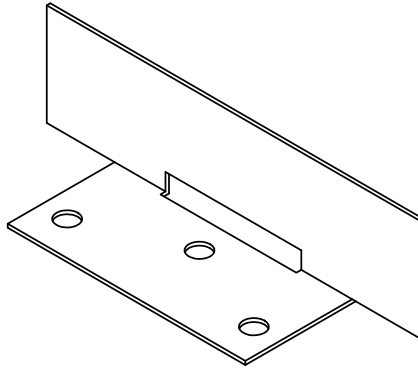
CUT TO MATCH JAMB DEPTH BY OTHERS

PARTS - FRAME
AEW



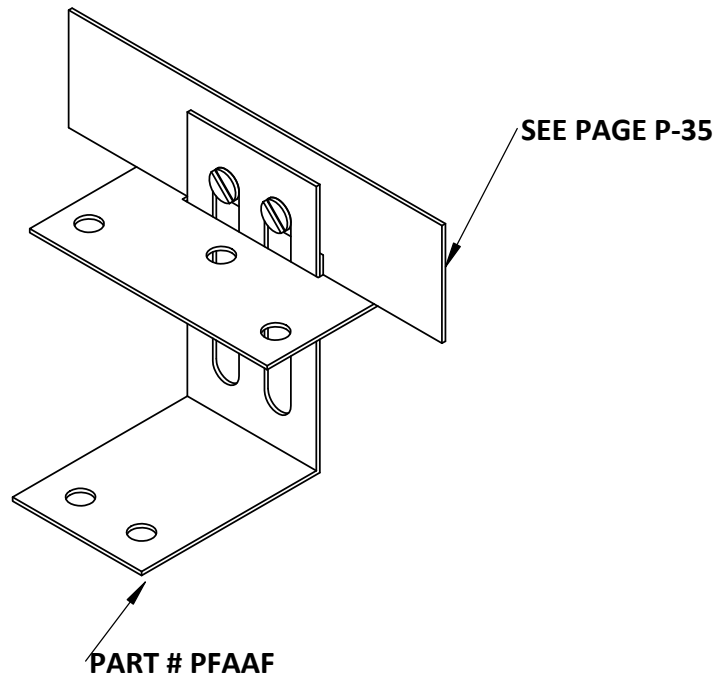
PART # PFAEW

**PARTS - FRAME
SILL ANCHOR**

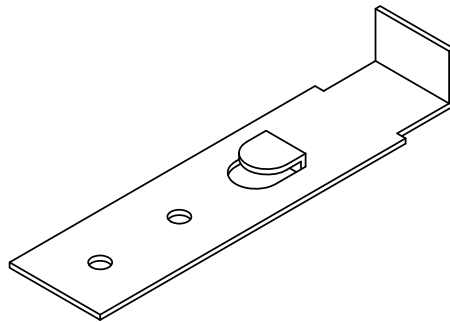


- 4 3/4" PART # PFSA4
- 5 3/4" PART # PFSA5
- 6 3/4" PART # PFSA6
- 7 3/4" PART # PFSA7
- 8 3/4" PART # PFSA8

PARTS - FRAME
ADJUSTABLE FLOOR ANCHOR (4 3/4 THRU 8 3/4)

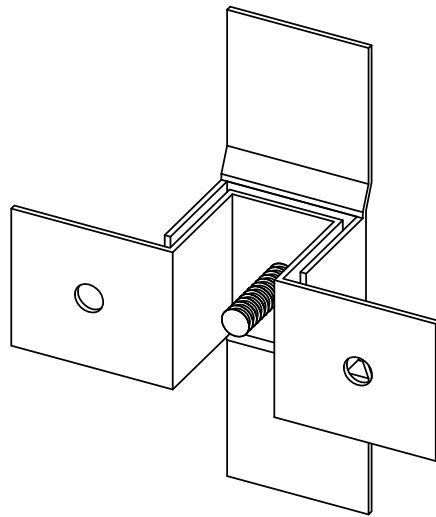


PARTS - FRAME
DRYWALL SNAP IN ANCHOR (2 NEEDED PER JAMB)



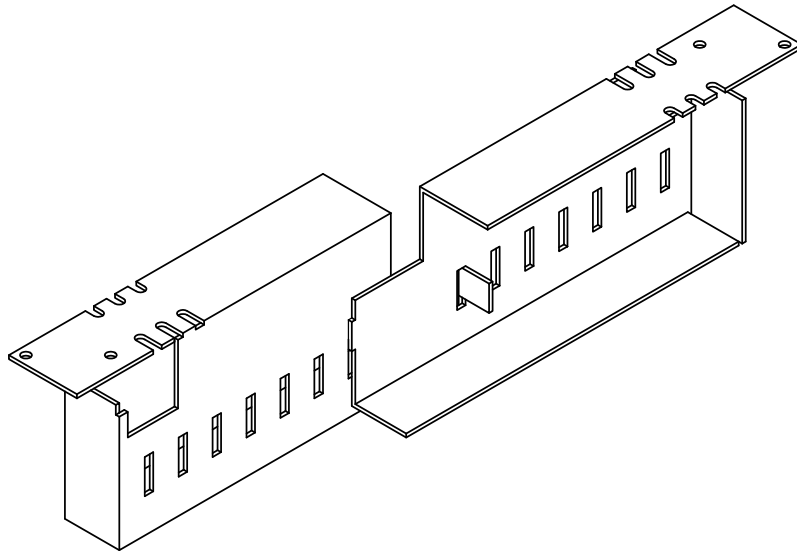
PART # PFDSNA

PARTS - FRAME
DRYWALL COMPRESSION ANCHOR



PART # PFDCA

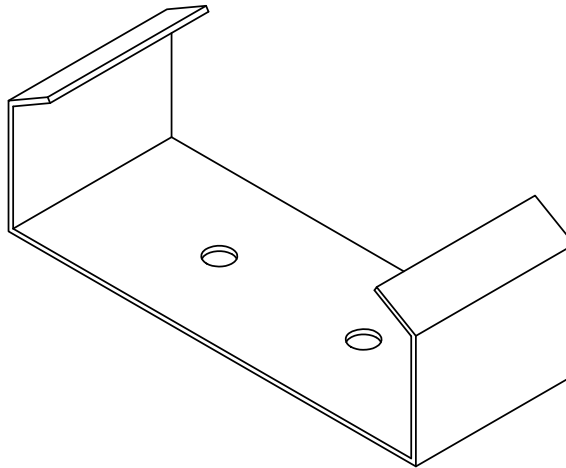
**PARTS - FRAME
ADJUSTABLE ANCHOR (110) (380) & (380A)**



**4 3/4" - 6 3/4" PART # PFA110
5 3/4" - 8 3/4" PART # PFA380
7" - 12" PART # PFA380A**

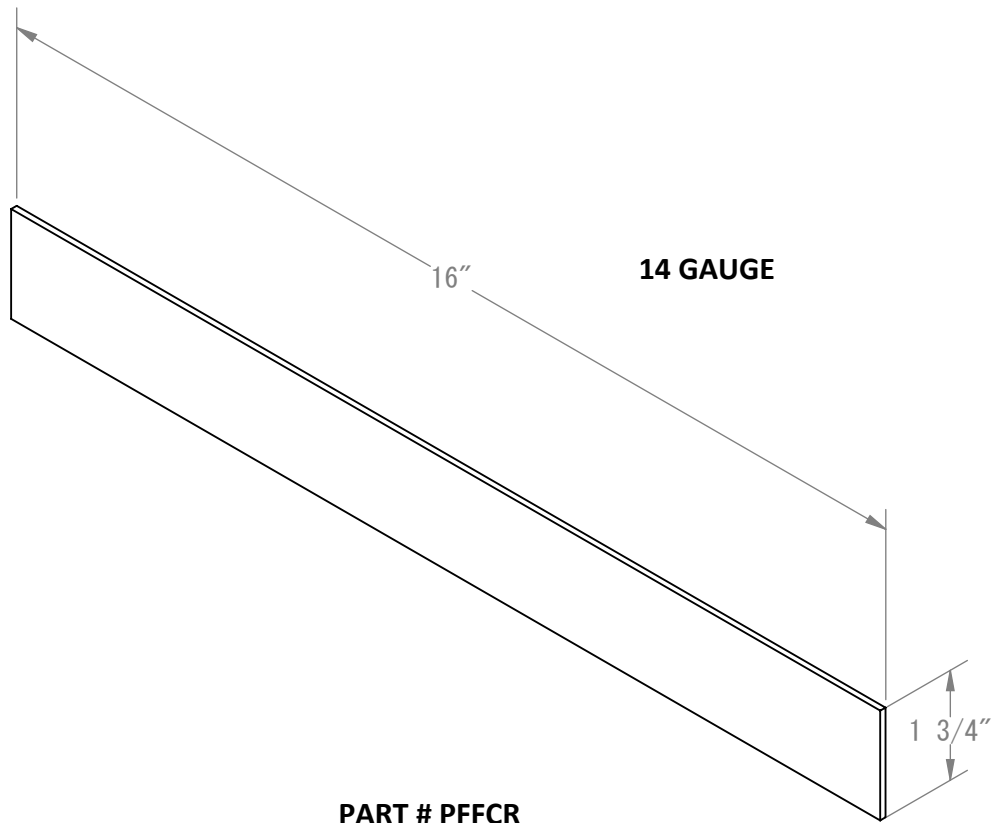


PARTS - FRAME
MULLION ANCHOR



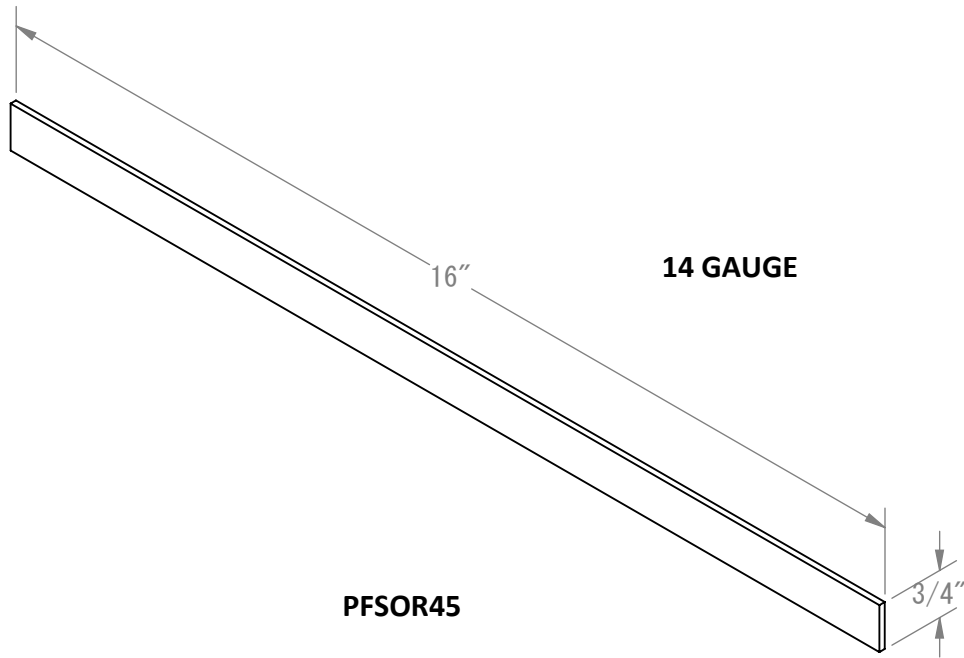
- 4 3/4" PART # PFMUA4
- 5 3/4" PART # PFMUA5
- 6 3/4" PART # PFMUA6
- 7 3/4" PART # PFMUA7
- 8 3/4" PART # PFMUA8

PARTS - FRAME
CLOSER REINFORCEMENT FRAME FACE (CRF)

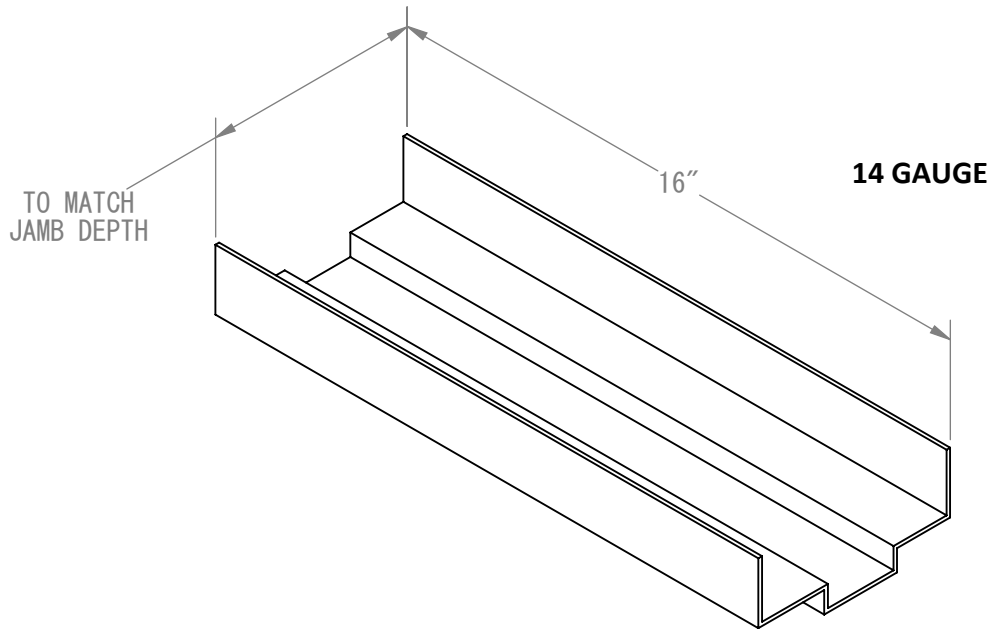


PART # PFCR

PARTS - FRAME
CLOSER REINFORCEMENT 4 1/2" FRAME (CRB)

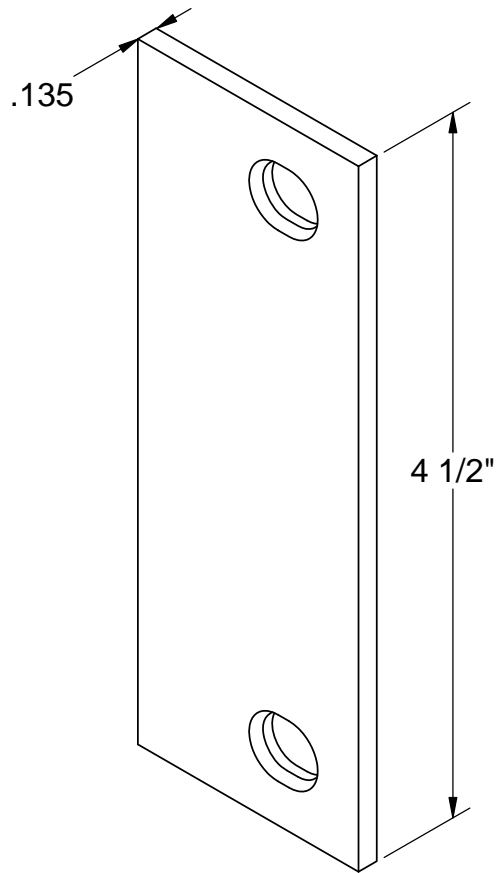


**PARTS - FRAME
CLOSER SLEEVE (SPECIFY PROFILE)**



- 4 3/4" PART # PFSCR47
- 5 3/4" PART # PFSCR57
- 5 5/8" PART # PFSCR56
- 5 7/8" PART # PFSCR58
- 6 3/4" PART # PFSCR67
- 8 1/4" PART # PFSCR82
- 8 3/4" PART # PFSCR87

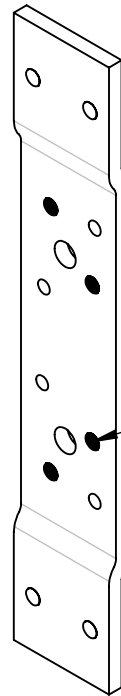
PARTS - FRAME
FRAME FILLER PLATE



PART # PF402

PARTS - FRAME
HINGE REINFORCEMENT

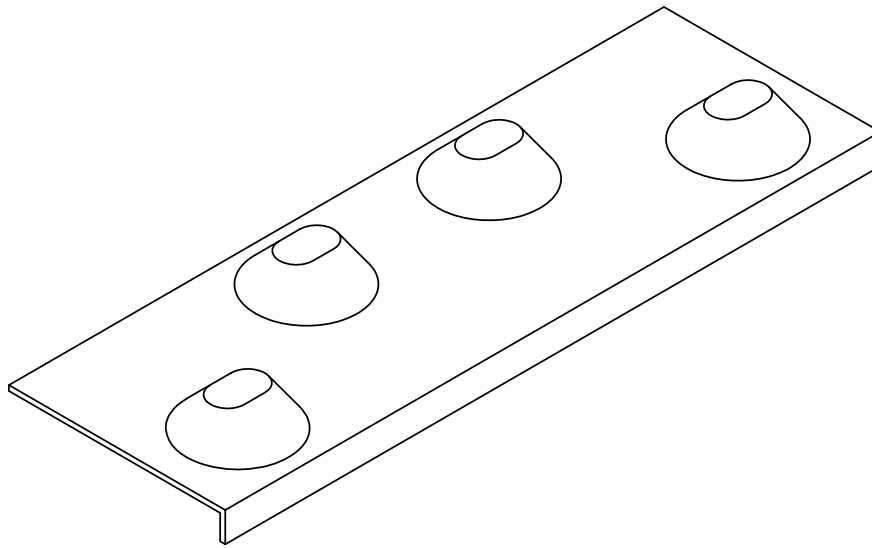
7 GAUGE



GRIND OFF FOR
HEAVY WEIGHT

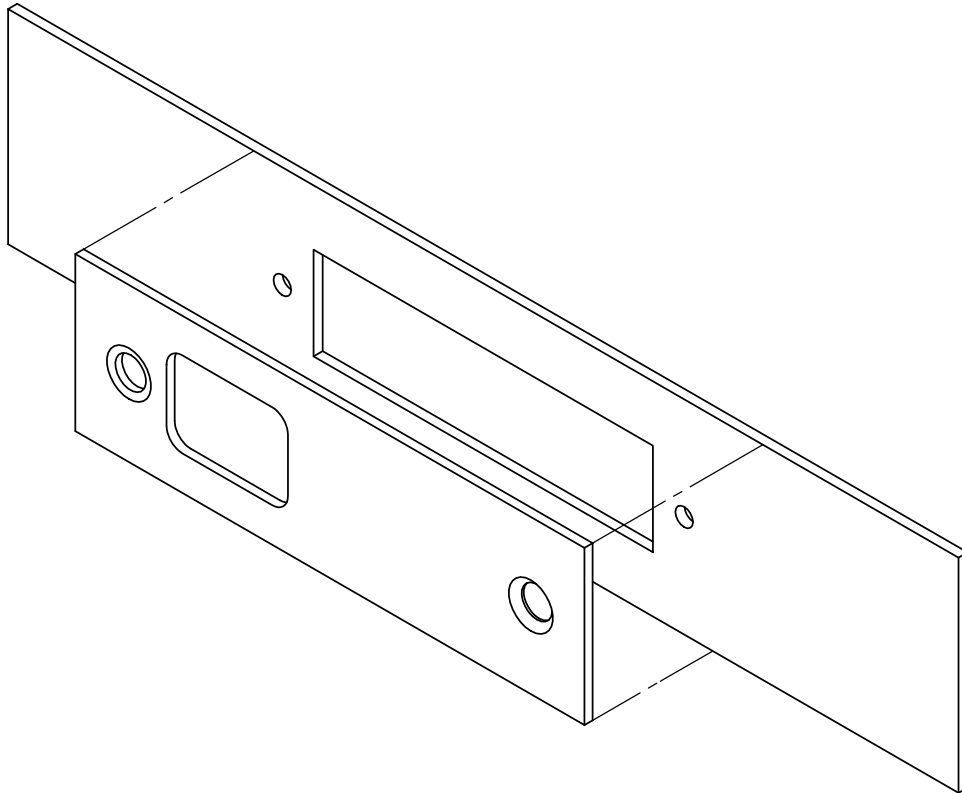
- 3 1/2" PART # PF3HR
- 4 1/2" PART # PF4HR
- 5" PART # PF5HR
- 4 1/2" HEAVY WEIGHT PART # PF4HHR
- 5" HEAVY WEIGHT PART # PF5HHR

PARTS - FRAME
HINGE PLASTER GUARD



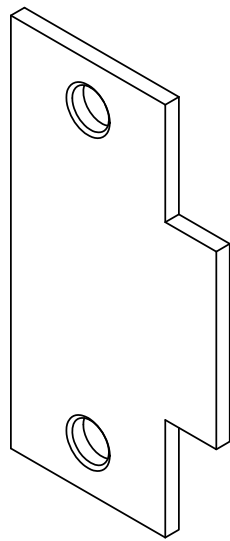
3 1/2" PART # PF3PG
4 1/2" PART # PF4PG

PARTS - FRAME
REVERSIBLE FLUSH BOLT STRIKE AND REINFORCEMENT

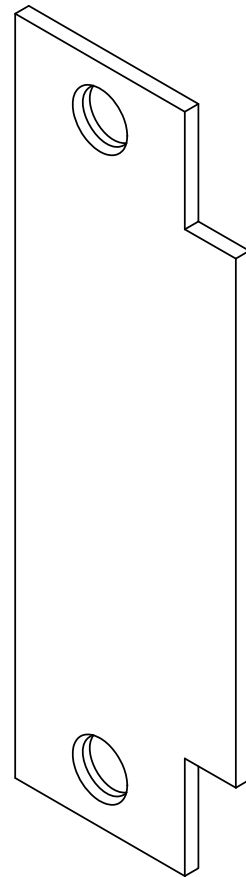


PART # PFFBREV

PARTS - FRAME
STRIKE FILLER



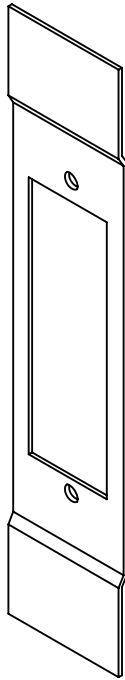
2 3/4" PART # PFFCS



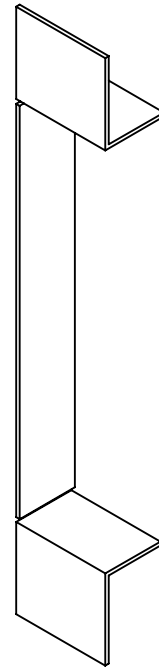
4 7/8" PART # PFFUS



**PARTS - FRAME
U STRIKE (ASA) REINFORCEMENT AND PLASTER GUARD**



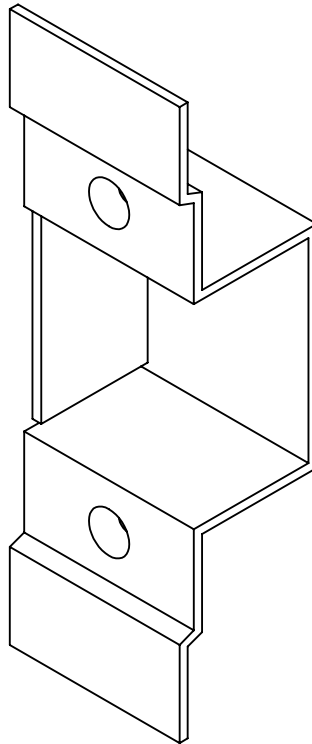
PART # PFSRU



PART # PFUPG

14 GAUGE

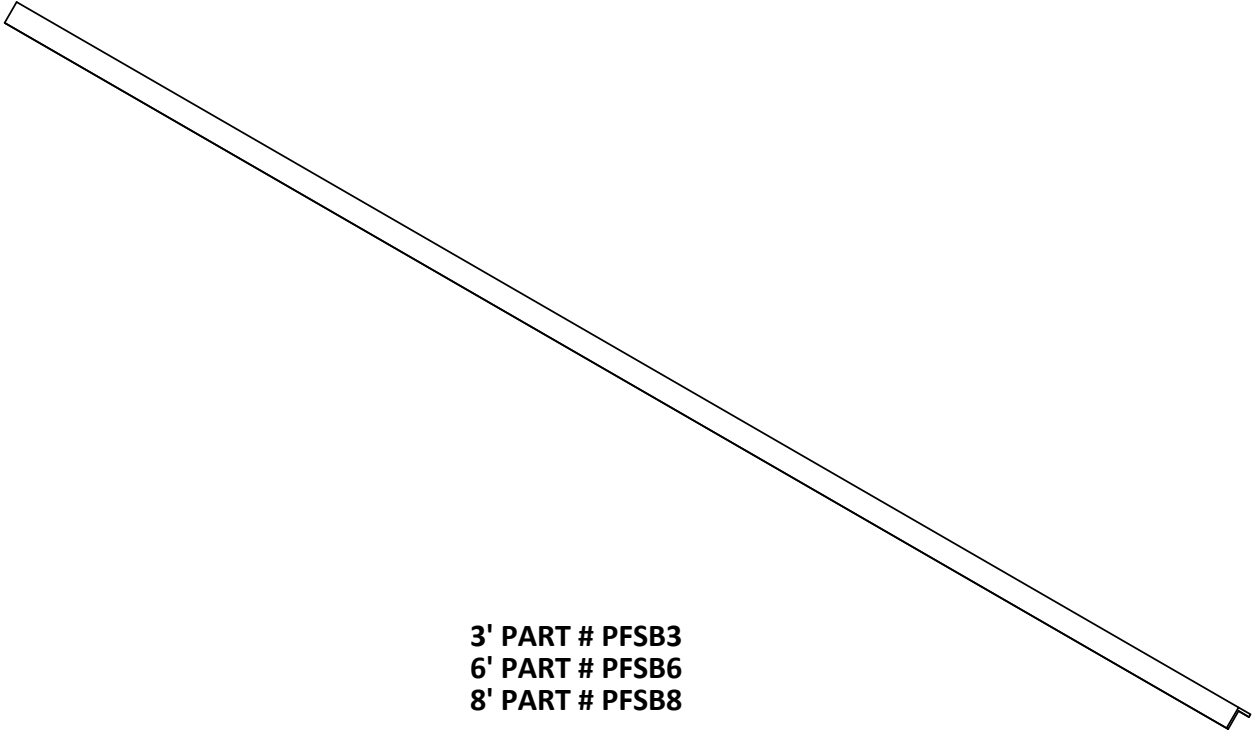
**PARTS - FRAME
C STRIKE (T) REINFORCEMENT WITH PLASTER GUARD**



PART # PFSRC

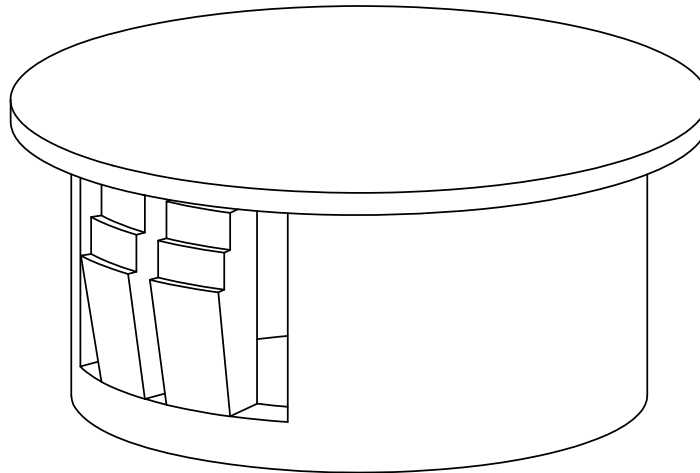
14 GAUGE

**PARTS - FRAME
SPREADER BAR**



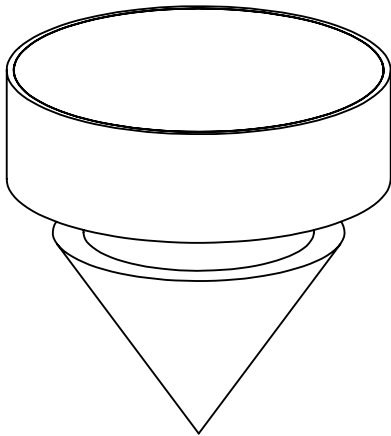
**3' PART # PFSB3
6' PART # PFSB6
8' PART # PFSB8**

PARTS - FRAME
PLASTIC PLUG FOR UNA 5 3/4"

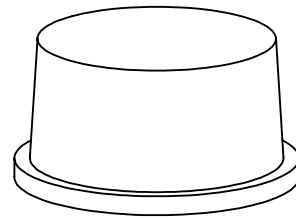


PART # PFPP

**PARTS - FRAME
MUTES**



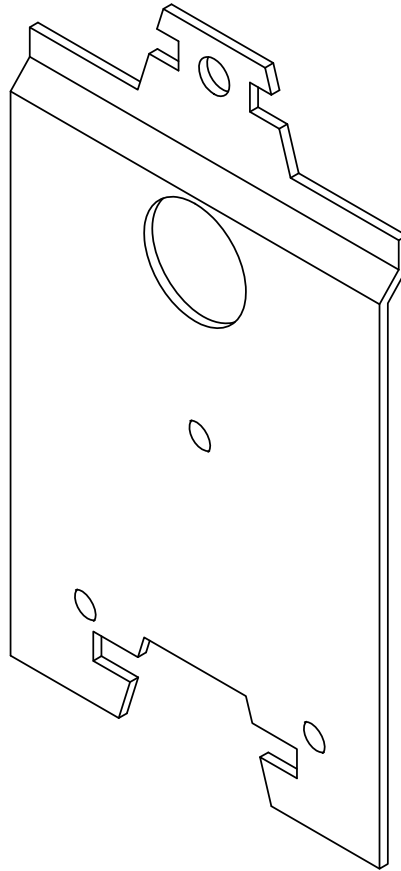
PUSH THROUGH PART # PFPTM



STICK ON PART # PFSOM

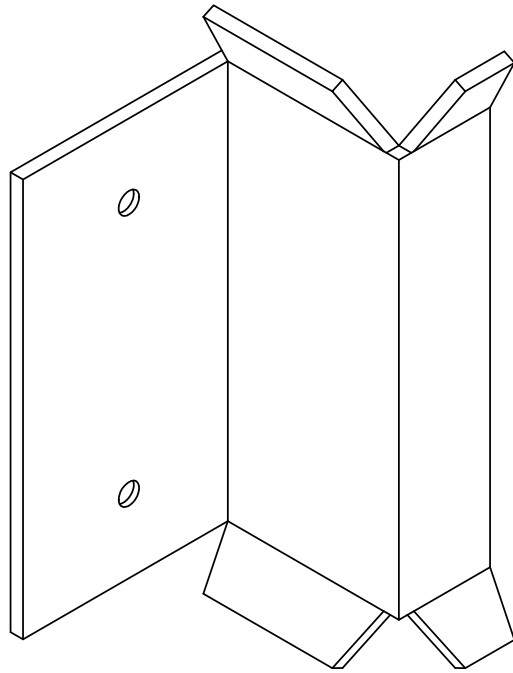
**DOUBLE HEADERS AND MULLIONS ARE NOT DRILLED
THEREFORE STICK-ON MUTES ARE RECOMMENDED.**

PARTS - FRAME
CORNER FRAME TAB



PART # PFTAB

PARTS - FRAME
MULLION CLIP



PART # PFMC