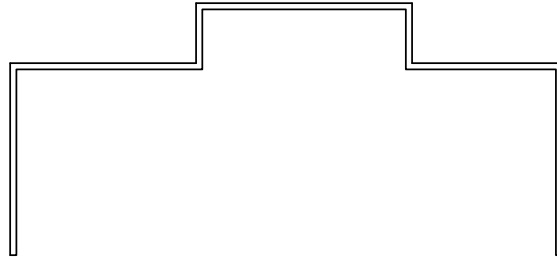


# Table of Contents

## Specialty Frames

FF Series Specifications .....	FS-1
FF Series Profile and Specifications.....	FS-2
FF Series Installation .....	FS-3
RF Series Specifications.....	FS-4
RF Series Profile and Specifications .....	FS-5
RF Series Installation .....	FS-6
RF Adjustable Frame Series Specifications .....	FS-7
RF Adjustable Frame Series Profile and Specifications .....	FS-8
RF Adjustable Frame Series Installation.....	FS-9
RF Prohung Frame Series .....	FS-10

## FF SERIES - FLUSH FACE



### **Frame Construction**

14 or 16 gauge, cold-rolled, galvanized A60, or galvanized G90 steel to be break-formed to the design specifications required. Frames shall be furnished knocked-down or welded, ground smooth upon request. Frames will have no returns; Standard stop heights to be 5/8" high. Soffit dimensions can vary. Faces will be drilled for multiple fastening options.

### **Installation & Applications**

Frames to be installed in accordance with ANSI A250.11-2001. Standard series frames to be used in a number of applications including masonry, wood stud and steel stud construction.

### **Hardware Reinforcements**

Frames to be furnished with 4 1/2" or 5" standard or heavy weight 7 gage steel hinge reinforcements and shall be adequately reinforced for all hardware. Standard arm or parallel closer reinforcements available upon request.

Strike and hinge reinforcements shall be protected by plaster guards. Single frames shall be prepared to receive (3) rubber mutes.

### **Finish**

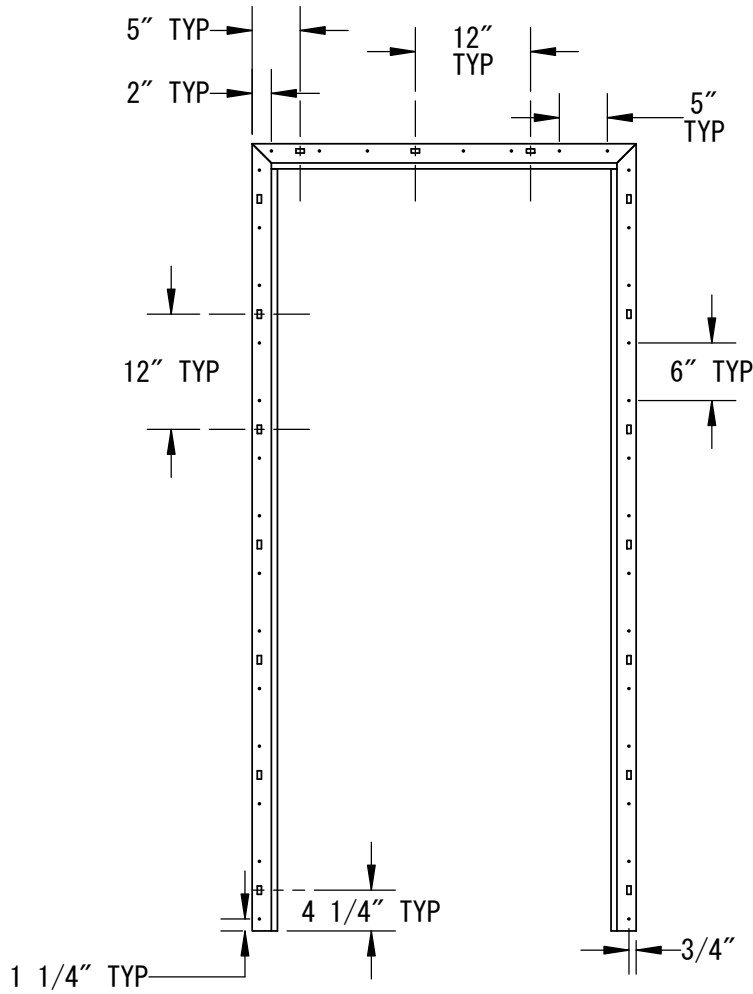
Exposed frame surfaces to be cleaned and treated then coated with rust inhibitive primer. Color painted frames to receive a durable, flow coated, baked on finish. Water-based primer and color paint finishes to be free of Hazardous Air Pollutants (HAPS) and Volatile Organic Compounds (VOCS).

### **Compliance**

All Mesker frame components comply with ANSI A250.8(R2008). Fire labeling in accordance NFPA and available in FM (standard), WHI (Intertek) and Underwriters Laboratories. For a complete list of product compliance per ANSI/ASTM test methods, consult the labeling section.

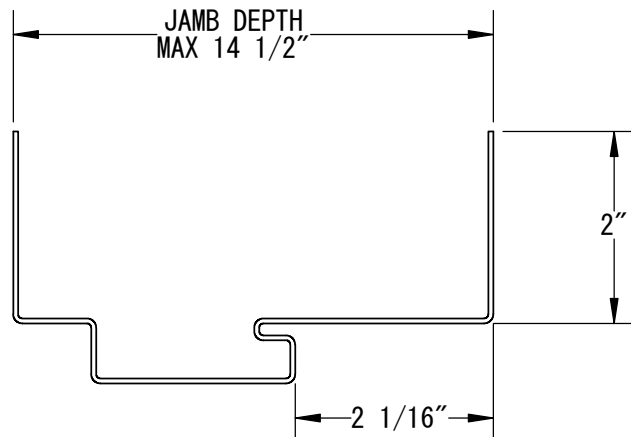


**FF SERIES  
FLUSH FACE W/KERF FRAME**

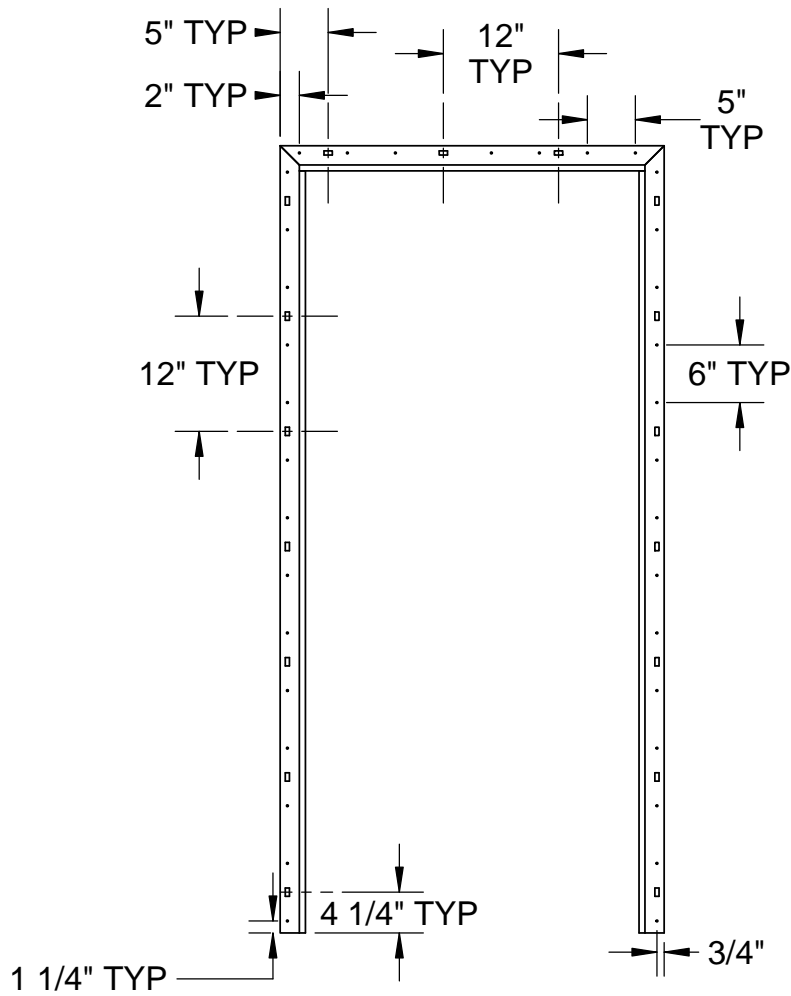


**SLOT SIZE MAY VARY FROM  
7/16" X 7/8" TO 1/2" X 1 1/2"**

**NUMBER AND LOCATION OF  
SLOTS MAY VARY**

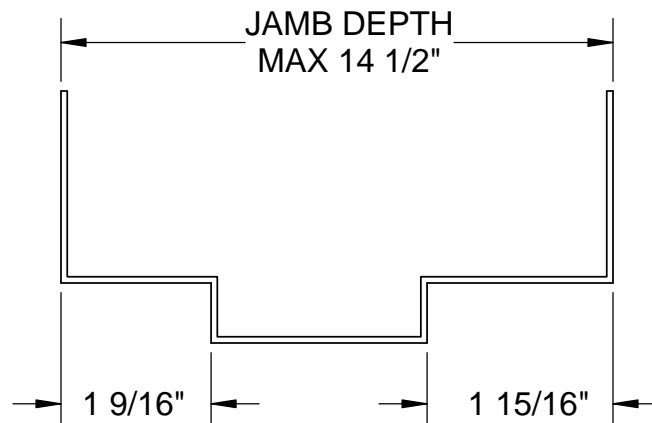


**FF SERIES  
FLUSH FACE FRAME**



**SLOT SIZE MAY VARY FROM  
7/16" X 7/8" TO 1/2" X 1 1/2"**

**NUMBER AND LOCATION OF  
SLOTS MAY VARY**



**FLUSH FACE FRAME  
FRAME INSTALLATION**

①

NOMINAL DOOR HEIGHT + 1"

NOMINAL DOOR WIDTH + 2"

ADD TO DOOR OPENING DIMENSIONS: 2" TO WIDTH AND 1" TO HEIGHT. FOR A 3070 DOOR FRAME, THE ROUGH OPENING IS 38" x 85".

②

HEADER

INSTALL HEADER INTO POSITION APPROX. 1" FROM THE TOP AND THE CENTER OF THE ROUGH OPENING.

③

STRIKE JAMB

INSTALL STRIKE JAMB BY SLIDING OVER WALL AT TOP AND ENGAGING CORNER TABS INTO HEADER. PIVOT JAMB INTO PLACE.

④

REPEAT STEP #3 WITH HINGE JAMB. PULL HEADER DOWN TIGHTLY ONTO JAMBS.

⑤

ADJUST FRAME ON WALL TO ALLOW FRAME CLEARANCES AND PLUMB FRAME WITH CARPENTER SQUARE AND/OR LEVEL. (ADJUST HEADER LEVELNESS BY SHIMMING UNDER JAMBS).

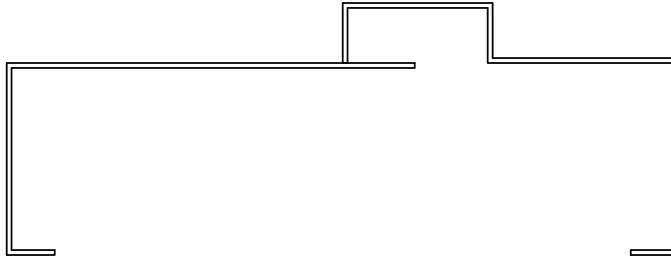
⑥

ANCHOR THOUGH FACE WITH ANCHORS APPROPRIATE FOR WALL CONSTRUCTION.

⑦

APPLY TRIM OR CASING (PROVIDED BY OTHERS) AS DESIRED.

## RF SERIES - REMODELING FRAMES



### Frame Construction

14 or 16 gauge, cold-rolled, galvanized, or galvanized G90 steel to be break-formed to the design specifications required. Frames shall be furnished knocked-down for welding by others or welded, ground smooth upon request. Standard frame to have 1/2" returns; Standard stop heights to be 5/8" high. Soffit dimensions can vary. Frames will be double rabbeted.

### Installation & Applications

Frames to be installed in accordance with ANSI A250.11-2001. Standard series frames to be used in a number of applications including masonry, wood stud and steel stud construction.

### Hardware Reinforcements

Frames to be furnished with 4 1/2" or 5" standard or heavy weight 7 gauge steel hinge reinforcements and shall be adequately reinforced for all hardware. Standard arm or parallel closer reinforcements available upon request.

Strike and hinge reinforcements shall be protected by plaster guards. Single frames shall be prepared to receive (3) rubber mutes.

### Finish

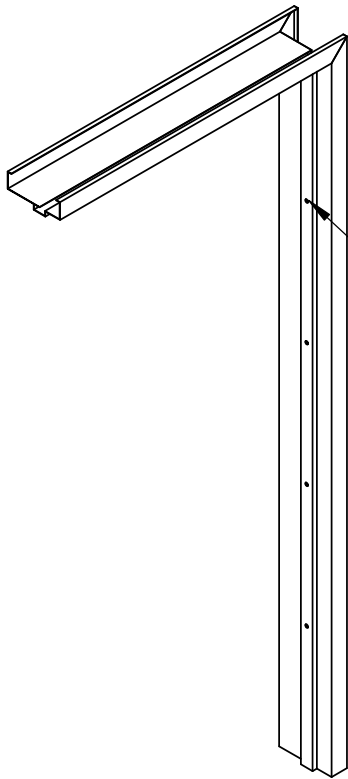
Exposed frame surfaces to be cleaned and treated then coated with rust inhibitive primer. Color painted frames to receive a durable, flow coated, baked on finish. Water-based primer and color paint finishes to be free of Hazardous Air Pollutants (HAPS) and Volatile Organic Compounds (VOCs).

### Compliance

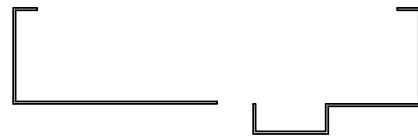
All Mesker frame components comply with ANSI A250.8(R2008). Fire labeling in accordance NFPA and available in FM (standard), WHI (Intertek) and Underwriters Laboratories. For a complete list of product compliance per ANSI/ASTM test methods, consult the labeling section.



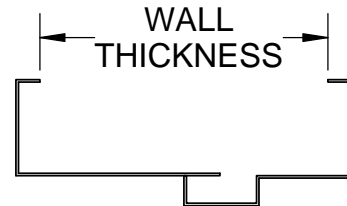
**RF SERIES  
REMODELING FRAME**



FOUR COUNTERSUNK  
HOLES FOR #12 X 2 1/4"  
PHILLIPS FLAT HEAD  
SCREWS (BY OTHERS)

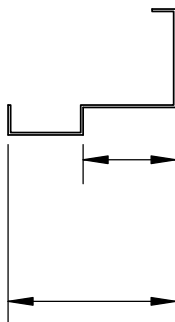
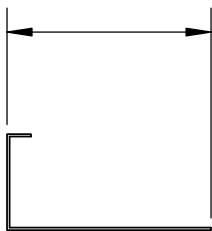


**APART**



**TOGETHER**

TRIM SECTION  
AVAILABLE IN  
2 1/4", 3 1/4",  
4 1/4", 5 1/4",  
7 1/4"

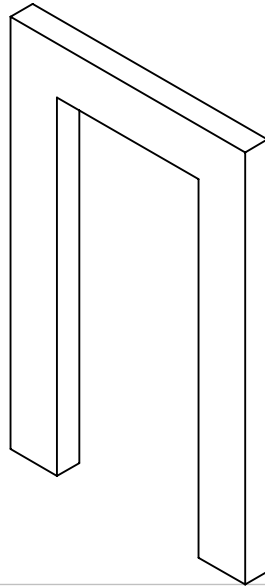


1 15/16" FOR 1 3/4" DOOR  
1 9/16" FOR 1 3/8" DOOR

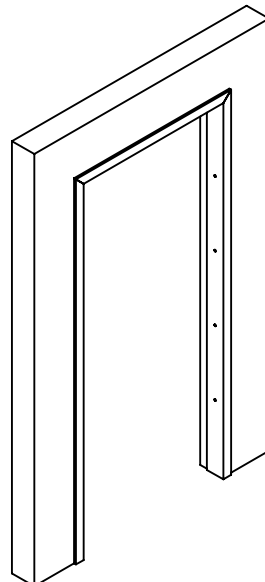
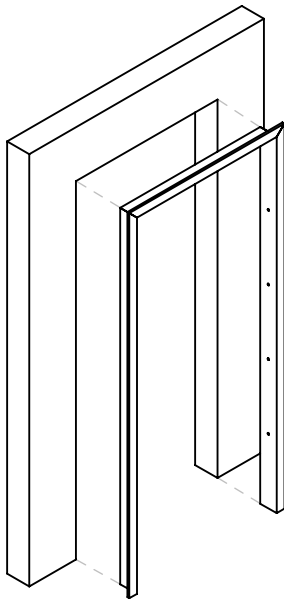
3 1/2" FOR 1 3/4" DOOR  
3 1/8" FOR 1 3/8" DOOR

TRIM SIZE	FOR WALL THICKNESS
2 1/4"	3 1/4" THRU 4 1/16"
3 1/4"	4 1/8" THRU 5 11/16"
4 1/4"	5 3/8" THRU 6 13/16"
5 1/4"	7" THRU 8 3/16"
7 1/4"	8 1/4" THRU 9 7/16"

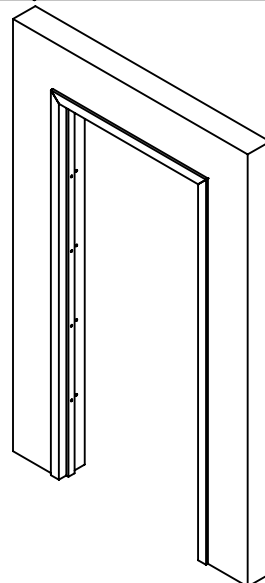
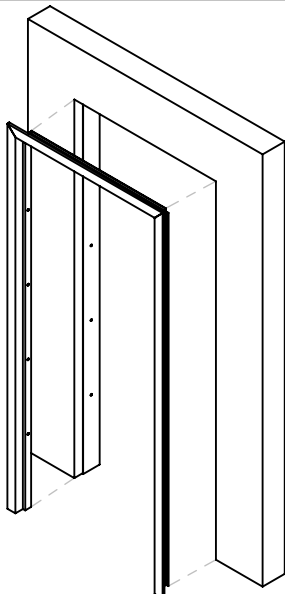


**REMODELING FRAME  
INSTALLATION****1**

**VERIFY PROPER ROUGH  
OPENING. OPENING SHOULD BE  
NOMINAL DOOR SIZE PLUS  
1 1/2" TO PLUMB AND SHIM.**

**2**

**INSERT TRIM SECTION  
INTO OPENING. ADJUST  
FOR PLUMB AND SHIM AS  
REQUIRED. FASTEN WITH  
APPROPRIATE SCREWS.**

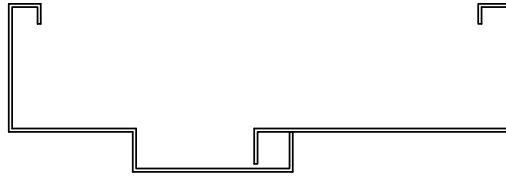
**3**

**INSERT HARDWARE  
SECTION FROM OPPOSITE  
SIDE OF THE TRIM SECTION.  
PLUMB AND FASTEN  
THROUGH STOP WITH  
APPROPRIATE SCREWS.**





## ADJUSTABLE FRAMES



### Frame Construction

14 or 16 gage galvanized steel to be break-formed to the design specifications required. Frames shall be furnished knocked-down. Standard frame to have 1/2" returns; Standard stop heights to be 5/8" high. Soffit dimensions can vary. Frames will be double rabbeted.

### Installation & Applications

Frames to be installed in accordance with ANSI A250.11-2001. Standard series frames to be used in a number of applications including masonry, wood stud and steel stud construction.

### Hardware Reinforcements

Frames to be furnished with 4 1/2" or 5" standard or heavy weight 7 gage steel hinge reinforcements and shall be adequately reinforced for all hardware. Standard arm or parallel closer reinforcements available upon request.

Single frames shall be prepared to receive (3) rubber mutes.

### Finish

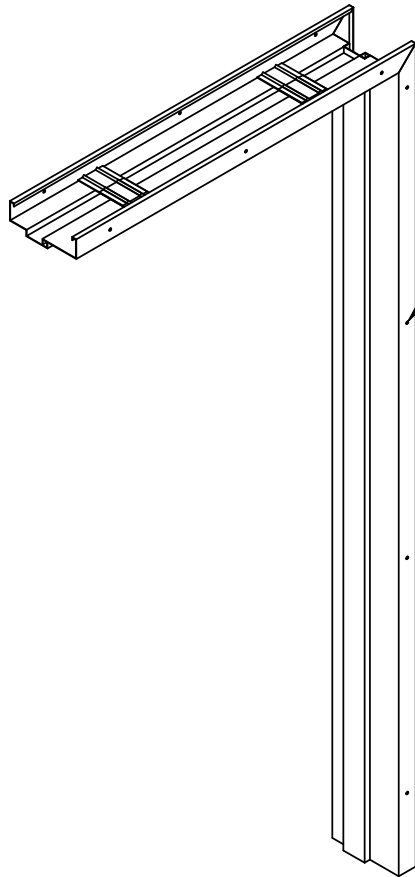
Galvanized only (NO PRIMER).

### Compliance

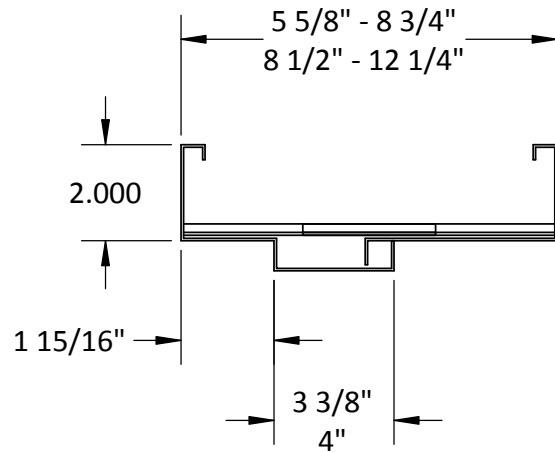
All Mesker frame components comply with ANSI A250.8(R2008). Fire labeling in accordance NFPA and available in FM (standard), WHI (Intertek) and Underwriters Laboratories. For a complete list of product compliance per ANSI/ASTM test methods, consult the labeling section.



ADJUSTABLE FRAME



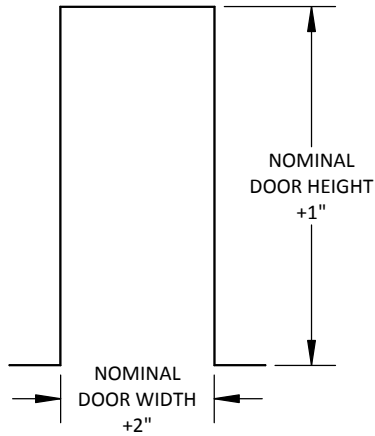
4 EA SMALL PUNCH AND DIMPLE HOLES



FRAME SIZE	JAMB DEPTH
SMALL	5 5/8" THRU 8 3/4"
LARGE	8 1/2" THRU 12 1/4"

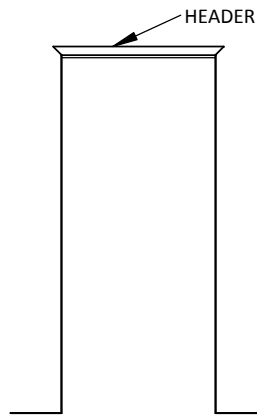
**ADJUSTABLE  
FRAME INSTALLATION**

1



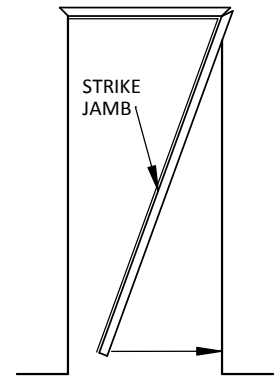
ADD TO DOOR OPENING DIMENSIONS:  
2" TO WIDTH AND 1" TO HEIGHT. FOR A 3070 DOOR  
FRAME, THE ROUGH OPENING IS 38"  
x 85".

2



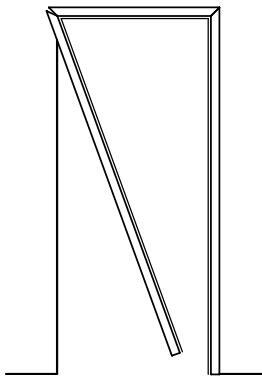
INSTALL HEADER INTO POSITION APPROX. 1"  
FROM THE TOP AND THE CENTER OF THE  
ROUGH OPENING.

3



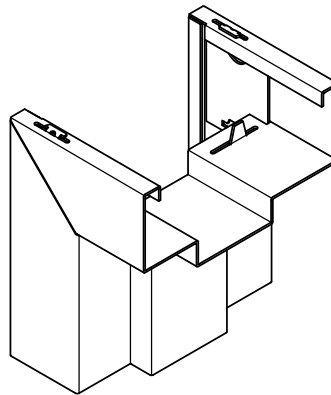
INSTALL STRIKE JAMB BY SLIDING OVER WALL  
AT TOP AND ENGAGING CORNER TABS INTO  
HEADER. PIVOT JAMB INTO PLACE.

4



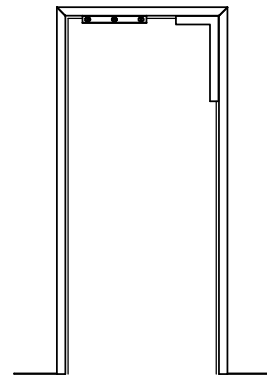
REPEAT STEP #3 WITH HINGE JAMB. PULL  
HEADER DOWN TIGHTLY ONTO JAMBS. LOCK  
HEADER AND JAMBS TOGETHER BY BENDING  
OVER EXPOSED TABS.

5



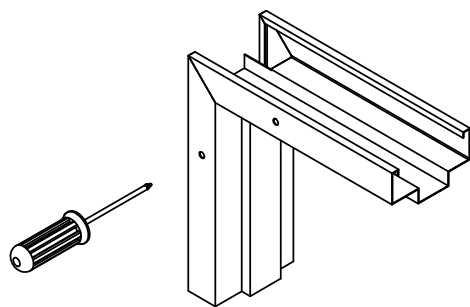
BEND CORNER TABS TOWARD INSIDE OF FRAME.

6



IF FEASIBLE, HANG DOOR NOW  
AND ADJUST FRAME ON WALL TO ALLOW  
PROPER DOOR / FRAME CLEARANCES OR  
PLUMB FRAME WITH CARPENTER SQUARE  
AND/OR LEVEL. (ADJUST HEADER  
LEVELNESS BY SHIMMING UNDER JAMBS).

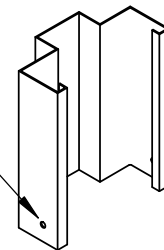
7



HEADER AND JAMBS PUNCHED AND DIMPLED TO RECEIVE  
SCREWS TO SECURE FRAME.

8

PUNCHED AND  
DIMPLED FOR  
#10 DRYWALL  
SCREWS  
(4 EA JAMB FACE)



CHECK DOOR OPENING DIMENSION AT BASE OF FRAME (SAME  
DIMENSION AS BETWEEN JAMBS AT HEADER). SECURE JAMBS WITH  
DRYWALL SCREW (NOT FURNISHED) THROUGH PUNCHED AND DIMPLED  
HOLES IN FACE OF FRAME. BE SURE TO ATTACH SCREWS TO BOTH  
SIDES OF BOTH JAMB LEGS (8 PLACES).



**PROHUNG FRAME**

**COMING SOON**

