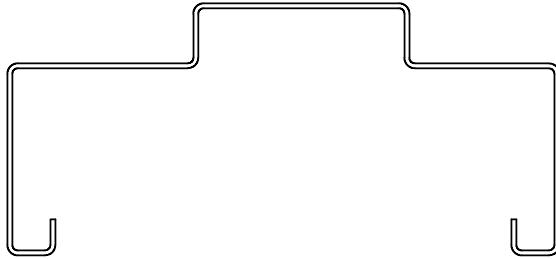


Table of Contents

FDJ Series Frames

FDJ Specifications.....	FDJ-1
FDJ Profiles 1 of 6.....	FDJ- 2
FDJ Profiles 2 of 6.....	FDJ- 3
FDJ Profiles 3 of 6.....	FDJ- 4
FDJ Profiles 4 of 6.....	FDJ- 5
FDJ Profiles 5 of 6.....	FDJ- 6
FDJ Profiles 6 of 6.....	FDJ- 7
Hospital Stop.....	FDJ- 8
Corner Detail.....	FDJ- 9
Frame Installation.....	FDJ- 10
Frame Installation Cased Open.....	FDJ- 11
FDJ Anchors.....	FDJ- 12

FDJ SERIES DRYWALL FRAMES



Frame Construction

Formed from 14 or 16 gauge, cold-rolled, galvanized steel, galvanized G90. Frames manufactured with die-mitered corner, and furnished with corner tabs for reinforcement and proper alignment. Furnished with pressure fitted top anchors ensuring durability with less torsion and sagging.

Installation & Applications

FDJ series frames are supplied standard with adjustable jamb lock anchor for secure installation. Sill anchors as indicated on page FDJ-12. The jamb lock anchor is adjusted with a screwdriver or power drill providing a pressure fit. The optional DFA base anchor system is provided for attachment directly to sill when using wall baseboards. Drywall / FDJ series frames are designed for installation in interior applications after construction of wood or metal stud and drywall applications.

Hardware Reinforcements

Frames to be furnished with 4-1/2" or 5" standard or heavy weight 7 gauge steel hinge reinforcements and shall be adequately reinforced for all hardware. Regular arm or parallel closer reinforcements available upon request. Strike and hinge reinforcements shall be protected by plaster guards.

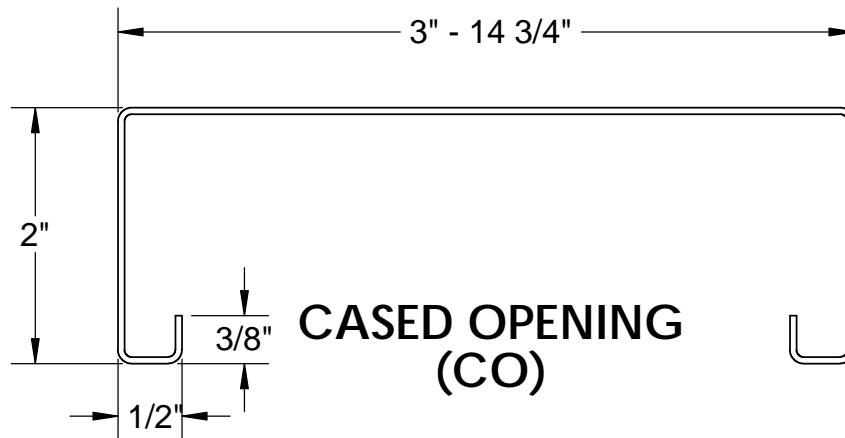
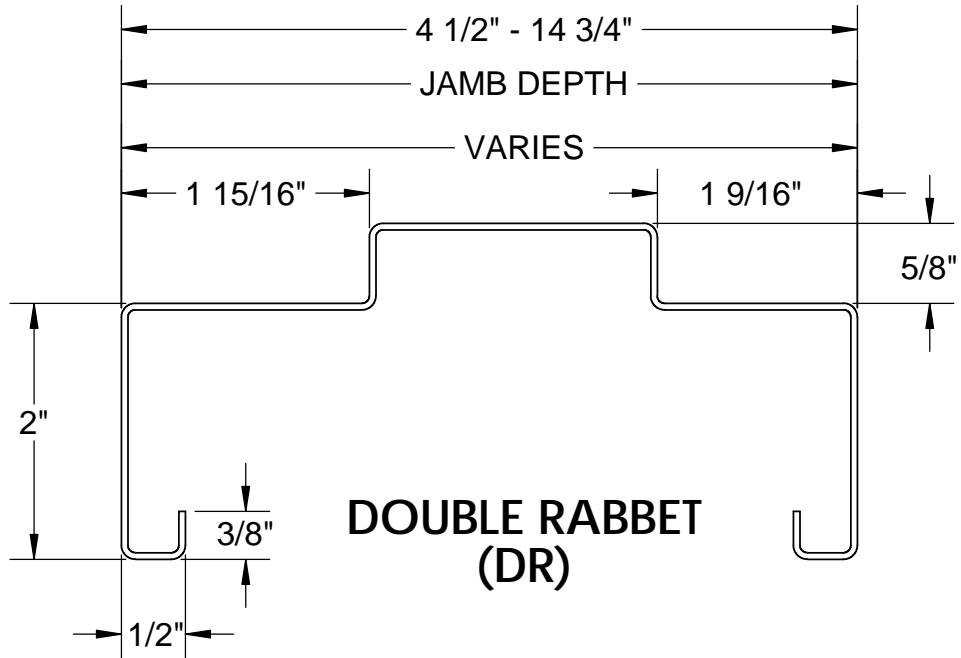
Finish

Exposed frame surfaces to be cleaned, treated, and then coated with rust inhibitive primer. Color painted frames to receive a durable, flow coated, baked on finish. Water-based primer and color paint finishes to be free of Hazardous Air Pollutants (HAPS) and Volatile Organic Compounds (VOCs).

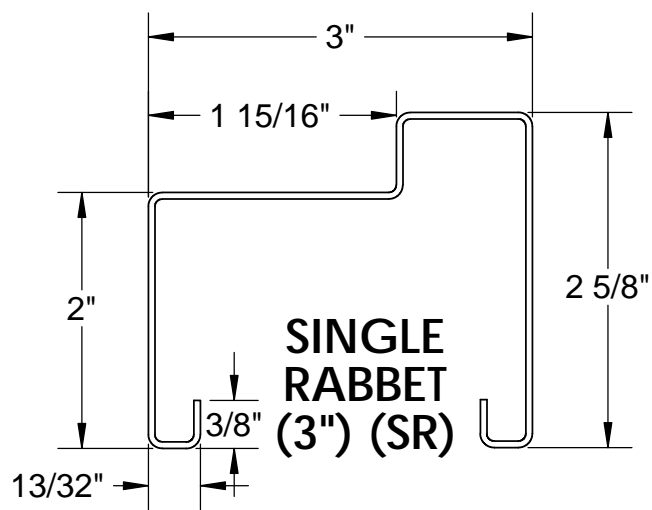
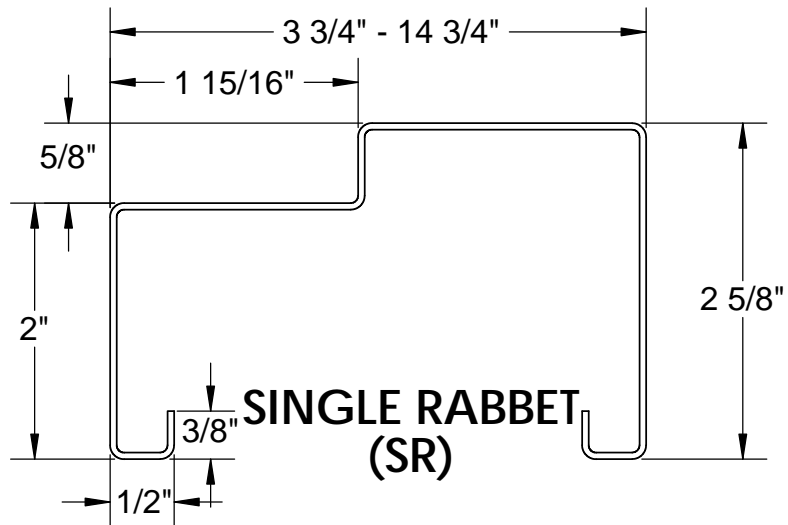
Compliance

These products are in full compliance with ANSI/SDI A250.8-2003 (R2008). This document is commonly referred to as SDI-100 (Steel Door Institute 100).

FDJ SERIES
PROFILES - DOUBLE RABBET AND CASED OPEN



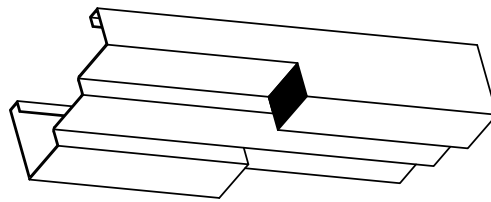
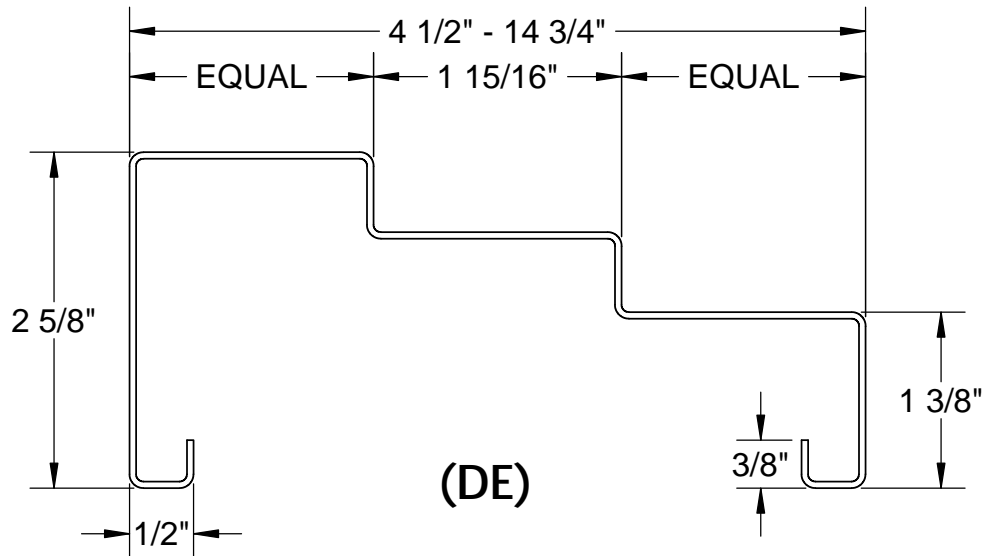
FDJ SERIES
PROFILES - SINGLE RABBET



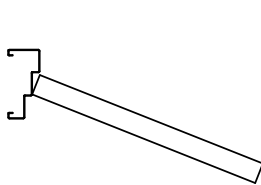
FDJ SERIES
THERMAL BREAK

RESERVED

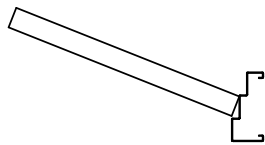
**FDJ SERIES - DRYWALL FRAMES
PROFILES - DOUBLE EGRESS**



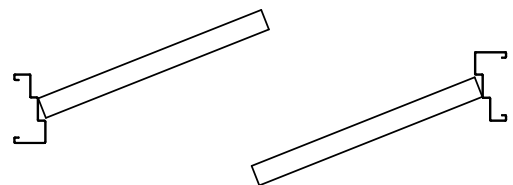
**HEADER
JUNCTION**



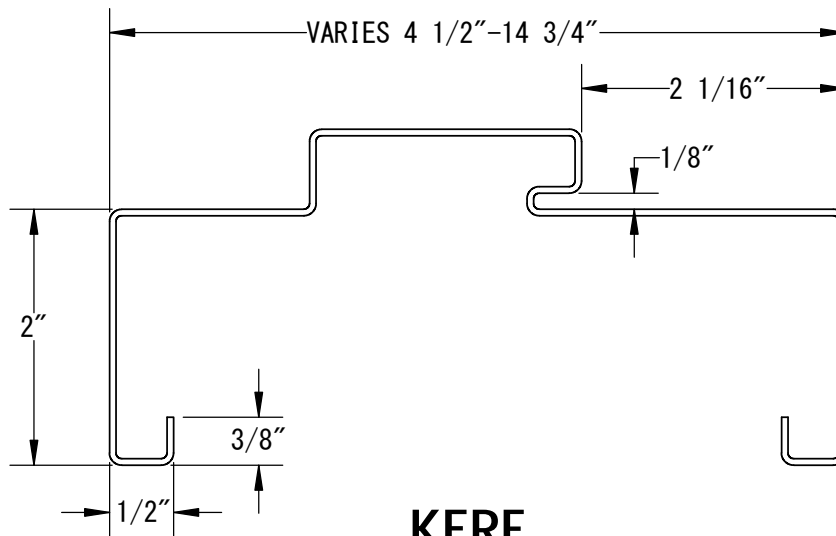
LHR (RH) SWING



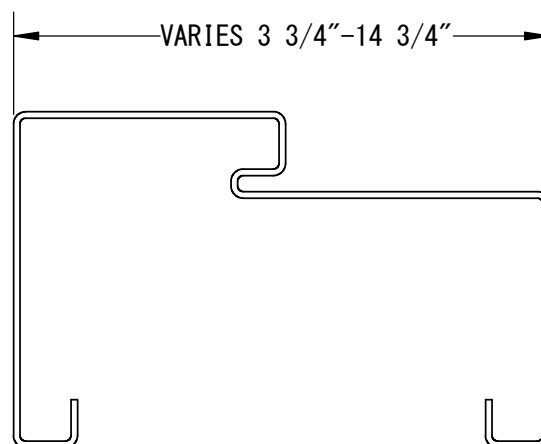
RHR (LH) SWING



**FDJ SERIES
PROFILE - KERFED FOR WEATHERSTRIPPING**



**KERF
(K)**

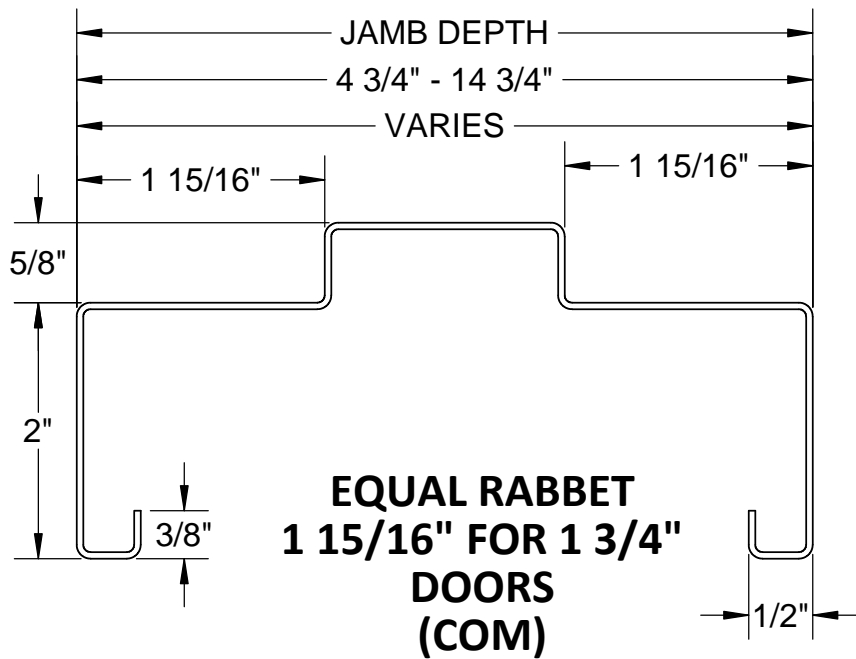
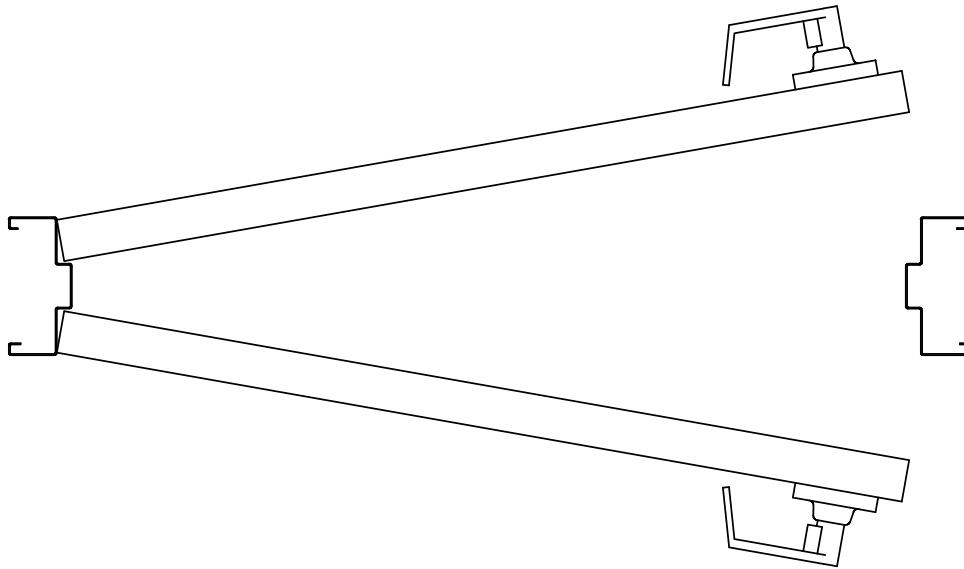


SINGLE RABBET

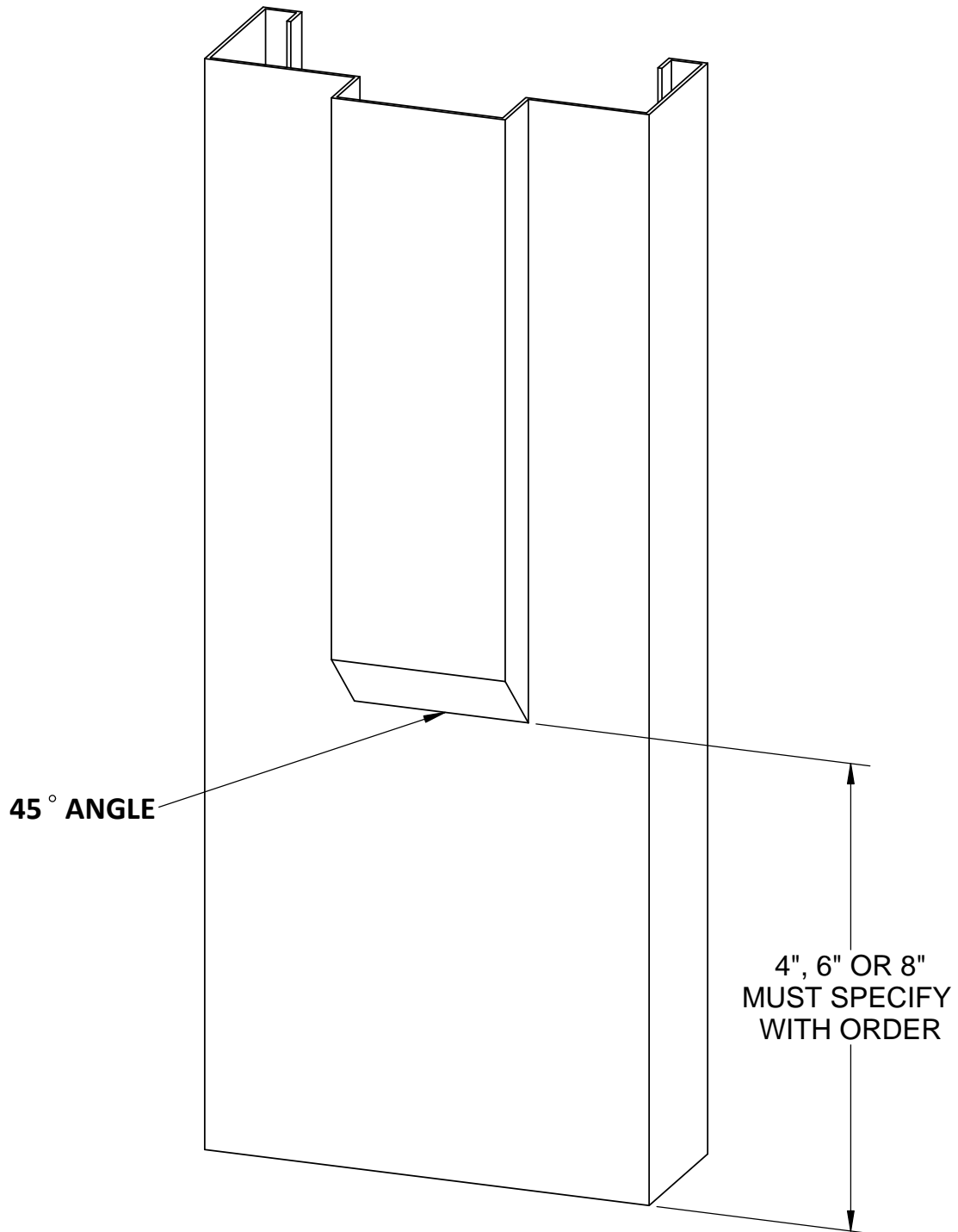
AVAILABLE IN 14 OR 16 GAUGE

**PHYSICAL ENDURANCE LEVEL: MEETS ANSI A250.4
PERFORMANCE TEST--16 GAUGE STEEL: LEVEL A (1,000,000 CYCLES)
FIRE RATED UP TO 90 MINUTES.**

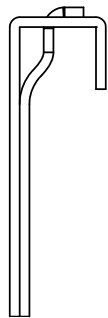
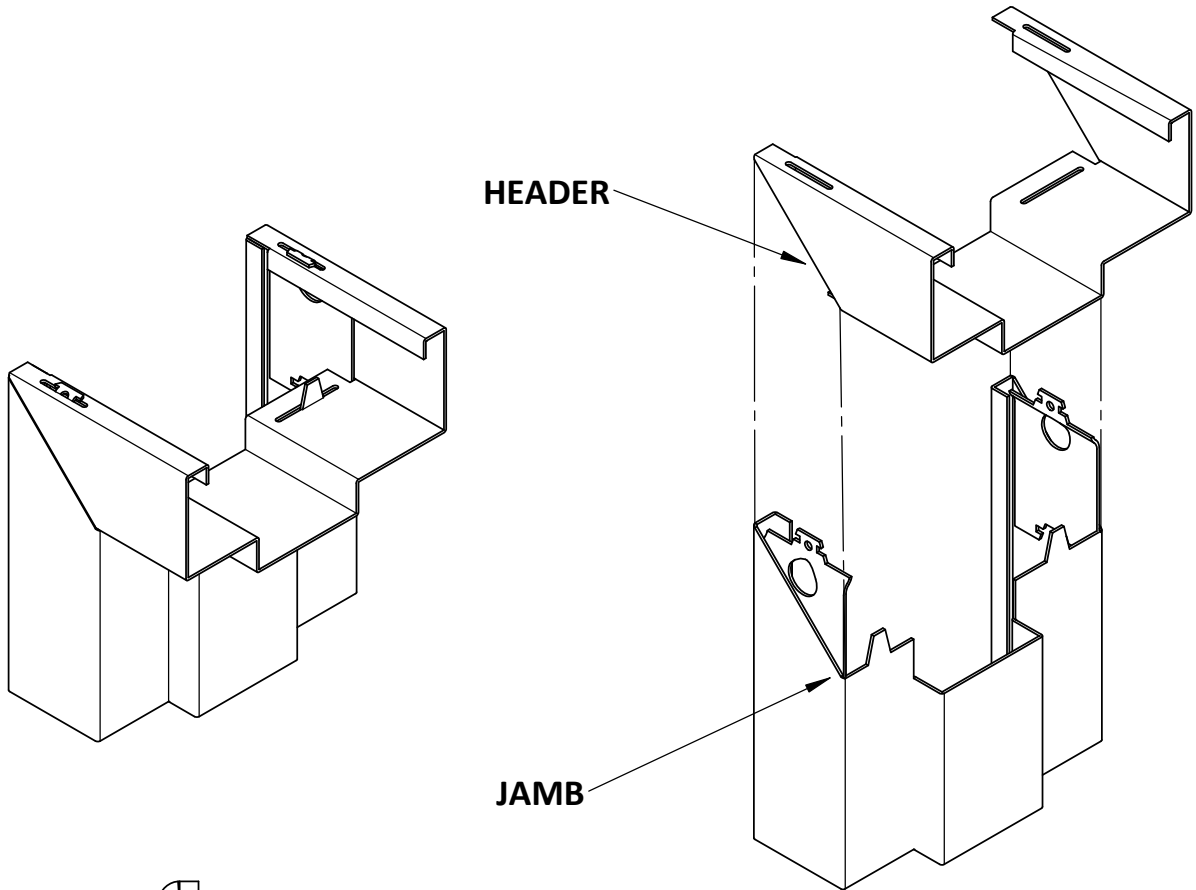
**FDJ SERIES
PROFILES - COMMUNICATING FRAME**



FDJ SERIES
DETAILS - HOSPITAL STOP



**FDJ SERIES
FRAME CORNER - DOUBLE RABBET - KD**



**TAB IS OFFSET TO OBTAIN
SMOOTH BEND ALONG
TOP OF FRAME HEAD.**

SECTION THRU TAB



**FDJ SERIES
FRAME INSTALLATION**

①

NOMINAL DOOR HEIGHT +1"

NOMINAL DOOR WIDTH +2"

ADD TO DOOR OPENING DIMENSIONS: 2" TO WIDTH AND 1" TO HEIGHT. FOR A 3070 DOOR FRAME, THE ROUGH OPENING IS 38" x 85".

②

HEADER

INSTALL HEADER INTO POSITION APPROX. 1" FROM THE TOP AND THE CENTER OF THE ROUGH OPENING.

③

STRIKE JAMB

INSTALL STRIKE JAMB BY SLIDING OVER WALL AT TOP AND ENGAGING CORNER TABS INTO HEADER. PIVOT JAMB INTO PLACE.

④

REPEAT STEP #3 WITH HINGE JAMB. PULL HEADER DOWN TIGHTLY ONTO JAMBS. LOCK HEADER AND JAMBS TOGETHER BY BENDING OVER EXPOSED TABS.

⑤

BEND CORNER TABS TOWARD INSIDE OF FRAME.

⑥

TURN ADJUSTING SCREWS IN BOTH JAMBS COUNTERCLOCKWISE UNTIL ANCHOR IS RESTING AGAINST THE WALL.

⑦

IF FEASIBLE, HANG DOOR NOW AND ADJUST FRAME ON WALL TO ALLOW PROPER DOOR / FRAME CLEARANCES OR PLUMB FRAME WITH CARPENTER SQUARE AND/OR LEVEL. (ADJUST HEADER LEVELNESS BY SHIMMING UNDER JAMBS).

⑧

PUNCHED AND DIMPLED FOR A #10 DRYWALL SCREW

3/4"

3/4"

CHECK DOOR OPENING DIMENSION AT BASE OF FRAME (SAME DIMENSION AS BETWEEN JAMBS AT HEADER). SECURE JAMBS WITH DRYWALL SCREW (NOT FURNISHED) THOUGH PUNCHED AND DIMPLED HOLE AT THE BASE OF FRAME. BE SURE TO ATTACH SCREWS TO BOTH SIDES OF BOTH JAMB LEGS (4 PLACES).

**FDJ SERIES
FRAME INSTALLATION - CASSED OPENING**

①

NOMINAL DOOR HEIGHT + 1"

NOMINAL DOOR WIDTH + 2 3/4"

ADD TO DOOR OPENING DIMENSIONS: 2 3/4" TO WIDTH AND 1" TO HEIGHT. FOR A 3070 DOOR FRAME, THE ROUGH OPENING IS 38 3/4" x 85".

②

HEADER

INSTALL HEADER INTO POSITION APPROX. 1" FROM THE TOP AND THE CENTER OF THE ROUGH OPENING.

③

STRIKE JAMB

INSTALL STRIKE JAMB BY SLIDING OVER WALL AT TOP AND ENGAGING CORNER TABS INTO HEADER. PIVOT JAMB INTO PLACE.

④

REPEAT STEP #3 WITH HINGE JAMB. PULL HEADER DOWN TIGHTLY ONTO JAMBS. LOCK HEADER AND JAMBS TOGETHER BY BENDING OVER EXPOSED TABS.

⑤

BEND CORNER TABS TOWARD INSIDE OF FRAME.

⑥

ANCHOR ADJUSTING SCREW (TYPICAL BOTH JAMBS)

TURN ADJUSTING SCREWS IN BOTH JAMBS COUNTERCLOCKWISE UNTIL ANCHOR IS RESTING AGAINST THE WALL.

⑦

IF FEASIBLE, HANG DOOR NOW AND ADJUST FRAME ON WALL TO ALLOW PROPER DOOR / FRAME CLEARANCES OR PLUMB FRAME WITH CARPENTER SQUARE AND/OR LEVEL. (ADJUST HEADER LEVELNESS BY SHIMMING UNDER JAMBS).

⑧

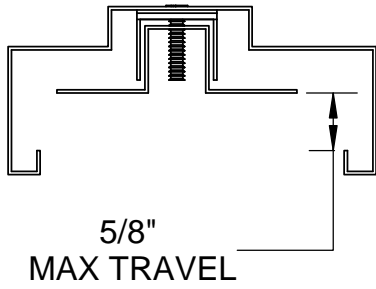
PUNCHED AND DIMPLED FOR A #10 DRYWALL SCREW

3/4"

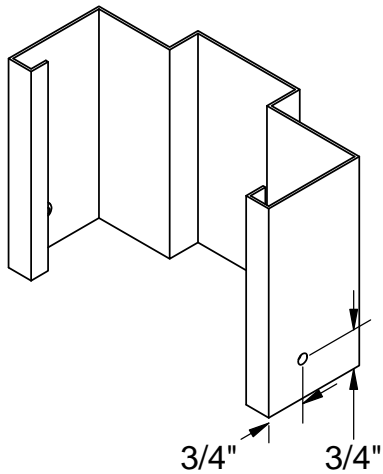
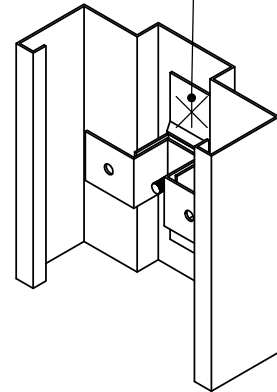
3/4"

CHECK DOOR OPENING DIMENSION AT BASE OF FRAME (SAME DIMENSION AS BETWEEN JAMBS AT HEADER). SECURE JAMBS WITH DRYWALL SCREW (NOT FURNISHED) THOUGH PUNCHED AND DIMPLED HOLE AT THE BASE OF FRAME. BE SURE TO ATTACH SCREWS TO BOTH SIDES OF BOTH JAMB LEGS (4 PLACES).

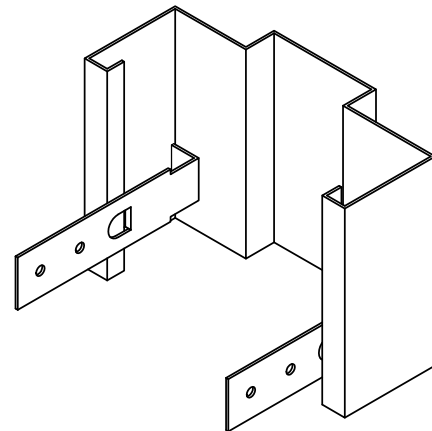
FDJ SERIES
FRAME ANCHOR - FDJ COMPRESSION ANCHOR



SPOT WELD
BOTH ENDS



STANDARD BASE
ANCHOR HOLES



OPTIONAL

