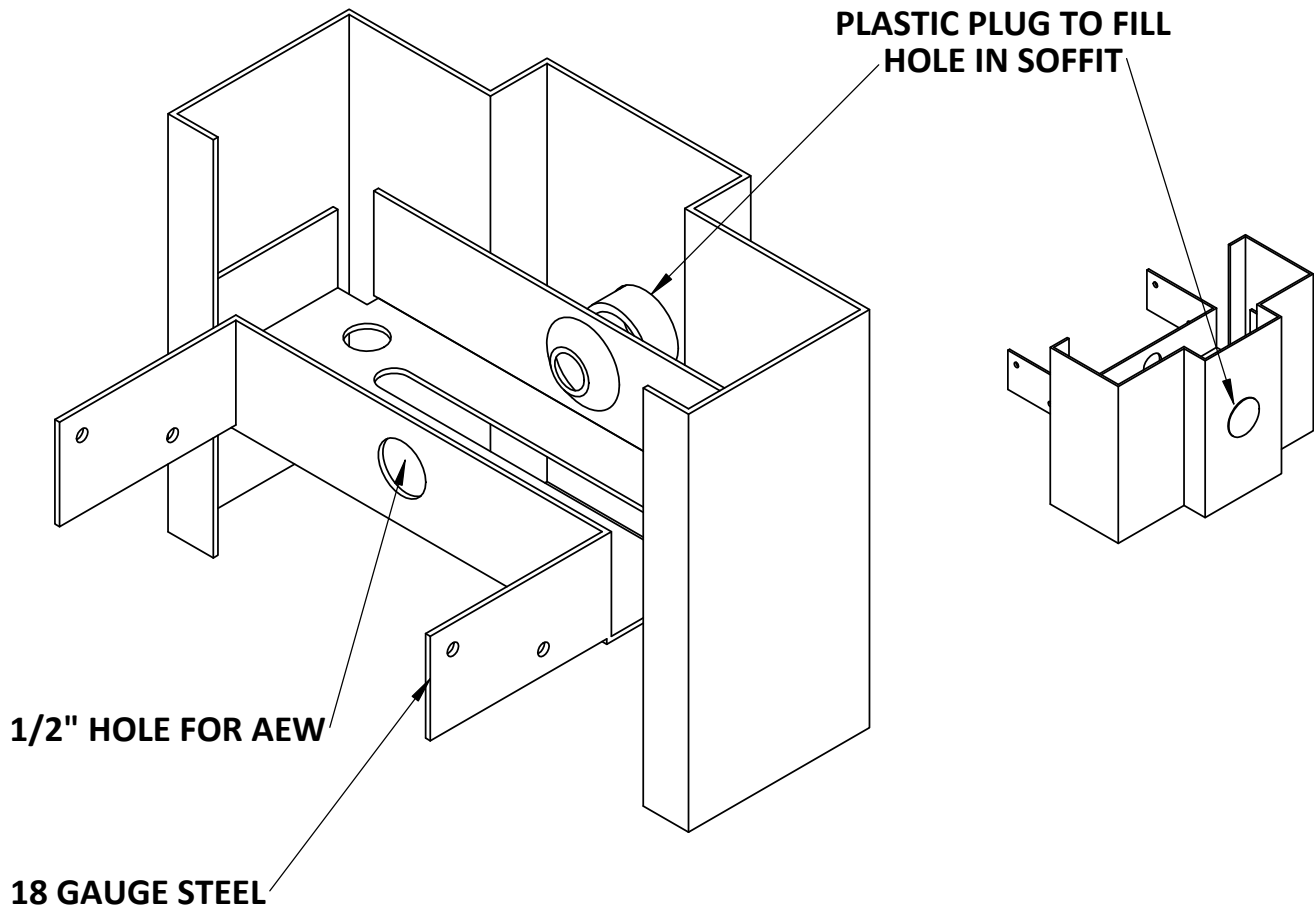


**F SERIES
FRAME ANCHOR - UNIVERSAL ANCHOR (UNA) 5 3/4"**



1. DRILL 3/4" HOLE IN SOFFIT.
2. LOCATE ANCHOR AT HOLE.
3. INSERT ANCHOR INTO WALL - 3/8" DIAMETER MACHINE ANCHOR OR #24 WOOD SCREW.
4. INSERT PLUG INTO HOLE IN SOFFIT.

