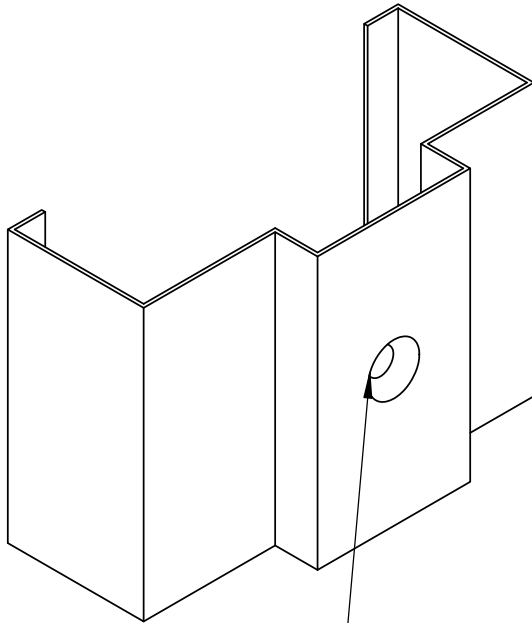


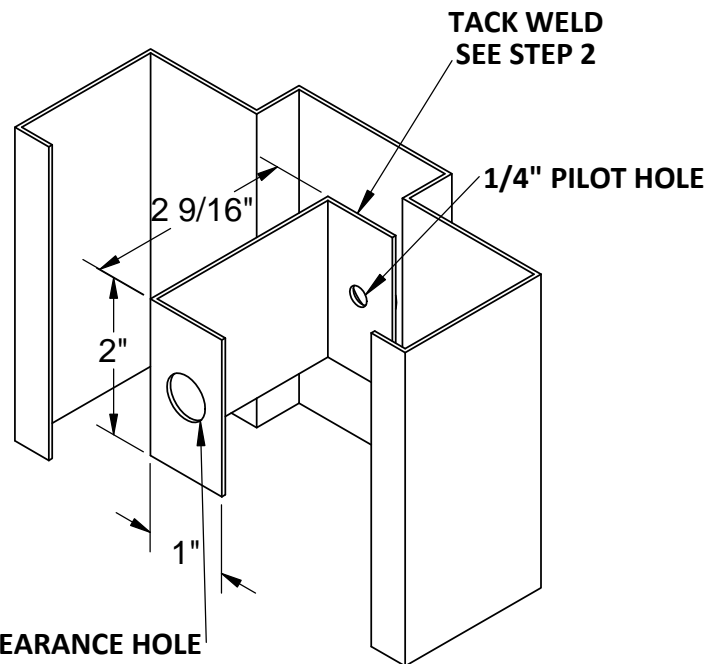
**F SERIES  
FRAME ANCHOR - AEW (ANCHOR EXISTING WALL)**

**INSTALLATION PROCEDURE**

1. DRILL 1/4" DIAMETER HOLE IN SOFFIT AS AN AID TO LOCATE ANCHOR.
2. ALIGN 1/4" HOLE IN ANCHOR WITH THE HOLE DRILLED IN STEP 1 AND WELD THE ANCHOR TO THE FRAME.
3. DRILL 7/16" HOLE THROUGH FRAME AND ANCHOR.
4. COUNTERSINK FOR 3/8" DIAMETER FLAT HEAD MACHINE BOLT OR #24 WOOD SCREW.



**SEE STEP 4 FOR  
COUNTERSINK DETAIL**



**9/16" CLEARANCE HOLE**



**MESKER™**  
The newest innovations in hollow metal from the  
oldest hollow metal door company in America