

F SERIES FRAME INSTALLATION - WOOD STUD WALL (NEW CONSTRUCTION)

WOOD STUD CONSTRUCTION

ROUGH STUD OPENING

WIDTH: NOMINAL FRAME WIDTH

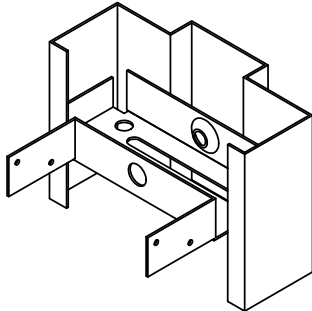
+4 3/8" MIN, TO 4 3/4" MAX.

(I.E. 3'0" = 40 3/8" MIN TO 40 3/4" MAX.)

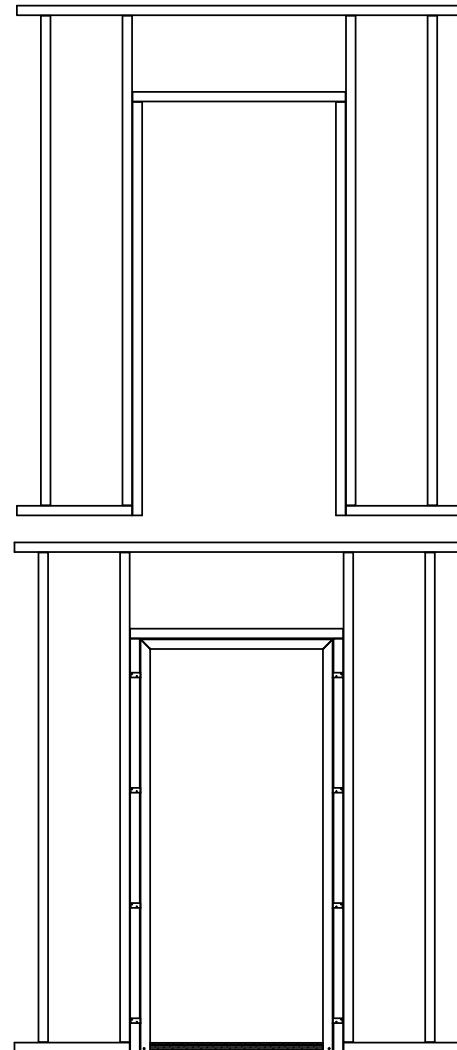
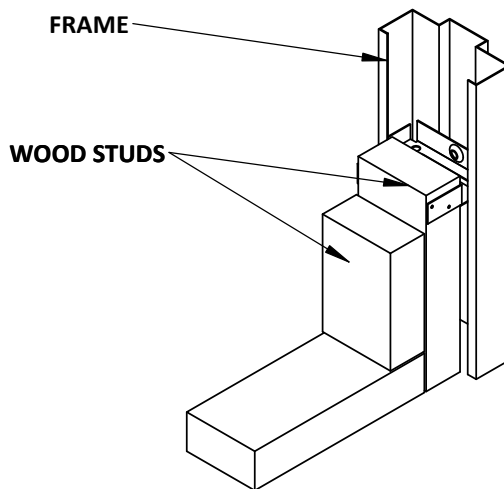
HEIGHT: NOMINAL FRAME HEIGHT

+2 1/8" MIN.

(I.E. 6'8" = 82 1/8" MIN.)



WOOD STUD ANCHOR



ELEVATION

(1) INSERT THREE ANCHORS PER JAMB UP TO AND INCLUDING 7' 2" HEIGHT (FOUR OVER 7' 2" HIGH). POSITION ANCHORS IN FRAME THROAT AND TAP IN WITH A HAMMER. BASE ANCHORS MAY ALSO BE USED.

(2) PLACE FRAME IN STUD OPENING.

(3) BEND ANCHOR TABS AROUND STUD LEAVING DESIRED CLEARANCE BETWEEN FRAME RETURN AND STUD FOR INSERTING FINISHED WALL MATERIAL.

(4) SET SPREADER AND LEVEL FRAME. SHIM JAMBS IF NECESSARY.

(5) SQUARE AND NAIL OR SCREW TOP ANCHORS TO STUDS ON ONE JAMB ONLY. CHECK PLUMB AND SQUARE AND CONTINUE TO NAIL OR SCREW BALANCE OF ANCHORS TO STUDS. REPEAT FOR OPPOSITE JAMB.

