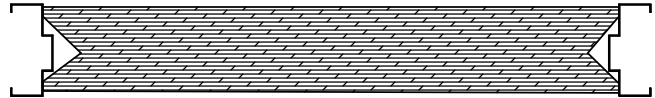
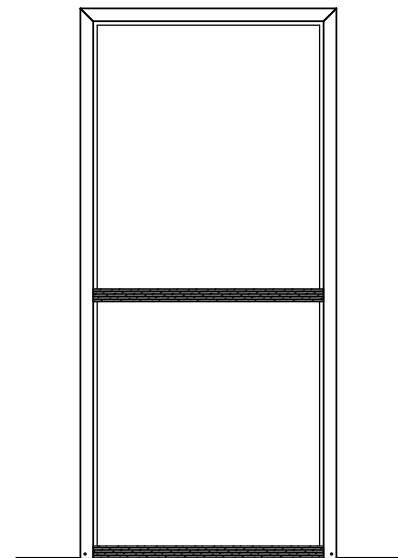


## F SERIES FRAME INSTALLATION - BLOCK WALL (NEW CONSTRUCTION)

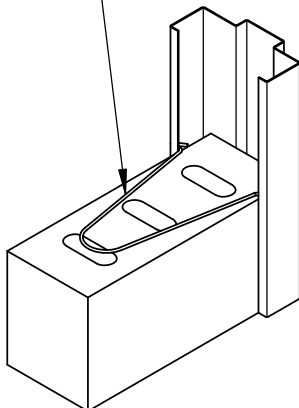
TYPICAL WOOD SPREADER MUST BE SQUARE AND FABRICATED FROM LUMBER NO LESS THAN 1" THICK. CORRECT LENGTH IS THE DOOR OPENING WIDTH BETWEEN JAMBS AND HEADER. CUT CLEARANCE NOTCHES FOR THE FRAME STOPS. AT FRAME STOPS SPREADER MUST BE NEARLY AS WIDE AS FRAME DEPTH FOR PROPER INSTALLATION.  
I.E. SINGLE DOOR 3'0" = 36"  
DOUBLE DOOR 6'0" = 72"



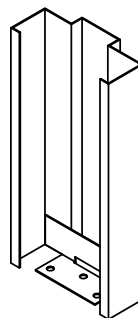
- (1) ASSEMBLE AND WELD FRAME.
- (2) SET AND PLUMB FRAME.
- (3) FASTEN FLOOR ANCHORS WITH APPROPRIATE FASTENERS.
- (4) AN ANCHOR SHALL BE USED FOR EACH 26" OF JAMB HEIGHT OR FRACTION THEREOF. EACH ANCHOR SHALL BE INSTALLED AS WALL IS LAID UP. GROUT FRAME IN THE AREA OF ANCHOR.
- (5) A SECOND SPREADER IS RECOMMENDED AT THE MID-POINT OF THE DOOR OPENING TO MAINTAIN THE DOOR OPENING DIMENSION.
- (6) CONTINUALLY CHECK PLUMB AND SQUARE AS THE WALL PROGRESSES.



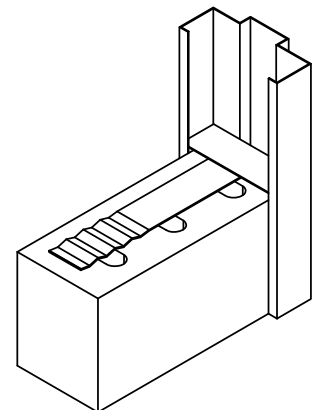
OVER SPREAD ANCHOR BEFORE  
INSTALLATION TO ENSURE  
PROPER FIT.



WIRE MASONRY ANCHOR



MASONRY FLOOR ANCHOR



MASONRY T ANCHOR



**MESKER™**  
The newest innovations in hollow metal from the  
oldest hollow metal door company in America