

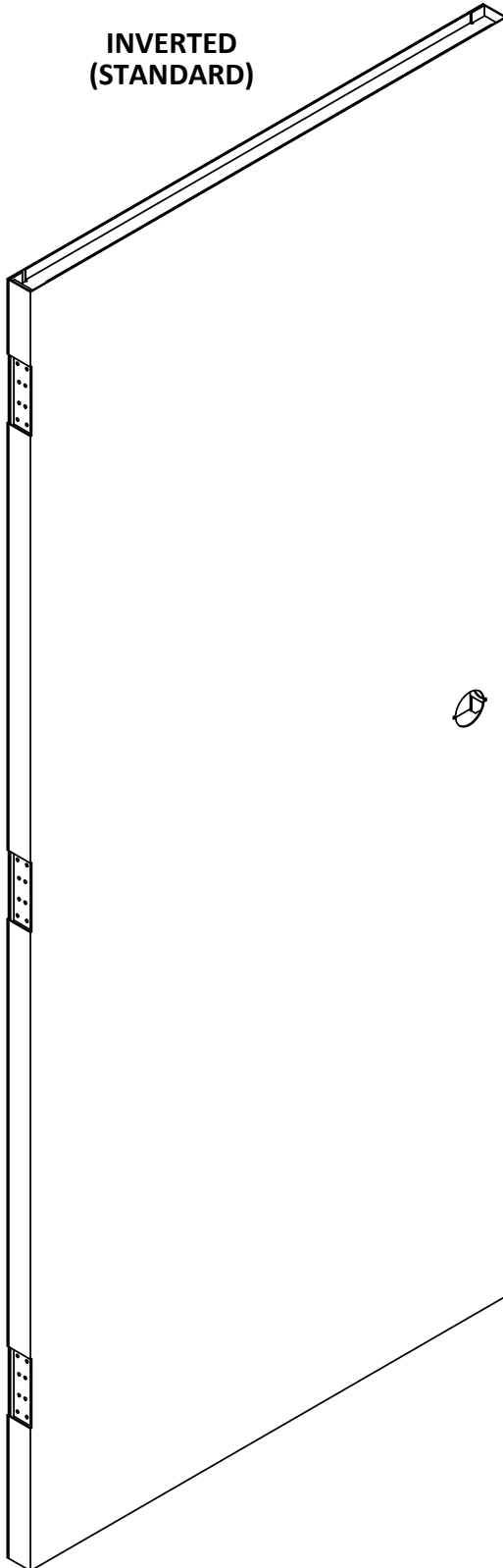
Table of Contents

Door Preps

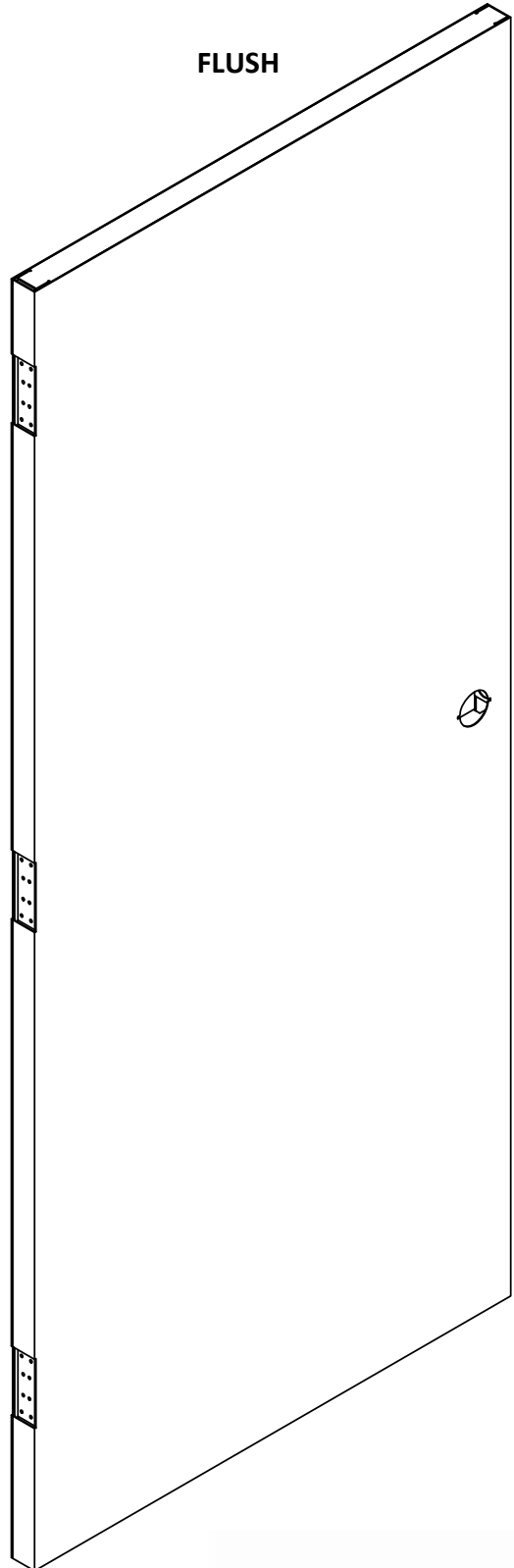
Flush Top	DP-1
Sealed Top Channel.....	DP-2
Monorail Cutout.....	DP-3
Flush Bolt Prep with Astragal.....	DP-4
Flush Bolt Prep without Astragal	DP-5
Flat Astragal	DP-6
Z Astragal	DP-7
Z Astragal Handing	DP-8
Glass Kit Recommended Locations 1 of 3	DP-9
Glass Kit Recommended Locations 2 of 3	DP-10
Glass Kit Recommended Locations 3 of 3	DP-11
Louver Recommended Locations.....	DP-12
Hinge Preparations	DP-13
Hinge Reinforcements	DP-14
Blank Hinge Reinforcements.....	DP-15
Hinge Reinforcement Installation	DP-16
Continuous Hinge Reinforcement.....	DP-17
Top and Bottom Pivot Preparation	DP-18
Intermediate Pivot Preparation	DP-19
Pocket Pivot Preparation	DP-20
Standard Lock and Closer Reinforcing	DP-21
C4 Lock Preparation	DP-22
C4 Turtle Lock Preparation	DP-23
Interconnected Lock Preparation	DP-24
M Lock Preparation.....	DP-25
MB Lock Preparation.....	DP-26
MBN Mortise Lock Blank Face and Edge.....	DP-27
Door Strike Preparations.....	DP-28
Electric Raceway	DP-29
Rim Panic Reinforcements	DP-30
Surface Vertical Rod Reinforcements	DP-31
Concealed Vertical Rod Preparation.....	DP-32
MB to C4 Adapter	DP-33
Concealed Closer/Holder	DP-34

OPTIONAL FLUSHTOP CHANNEL

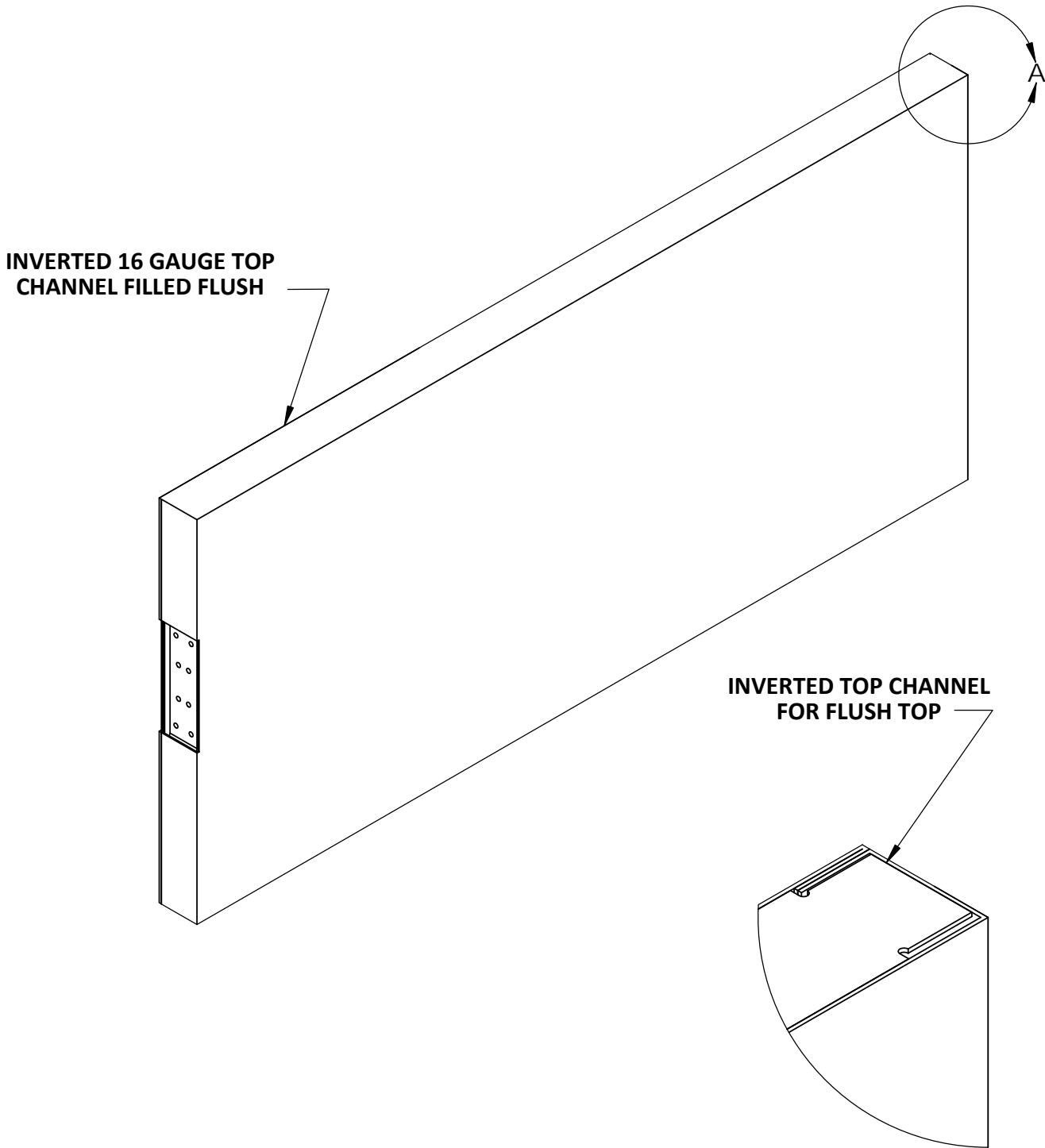
INVERTED
(STANDARD)



FLUSH

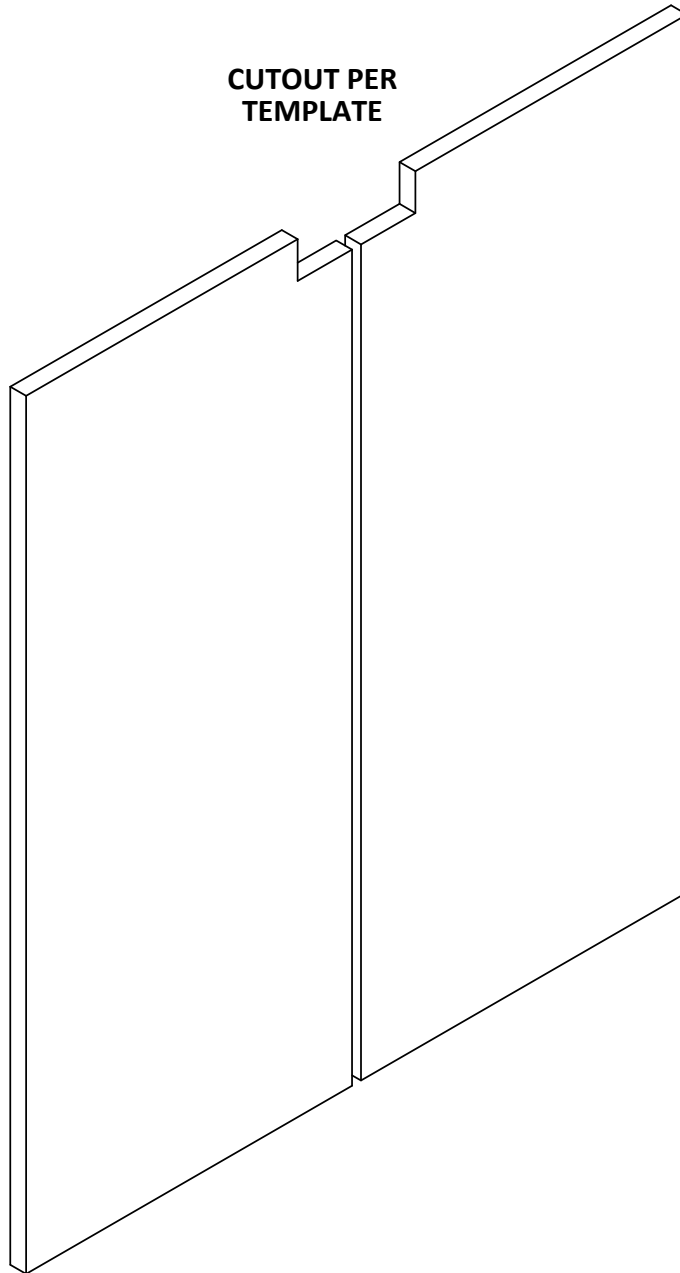


**DOORS
FLUSH SEALED TOP CHANNEL**

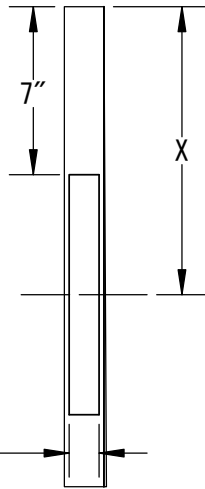


MONORAIL CUTOUT

CUTOUT PER
TEMPLATE

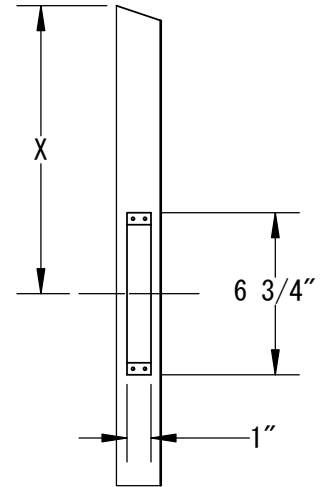


ANSI/BHMA A156.115 FLUSHBOLT PREPARATION WITH ASTRAGAL

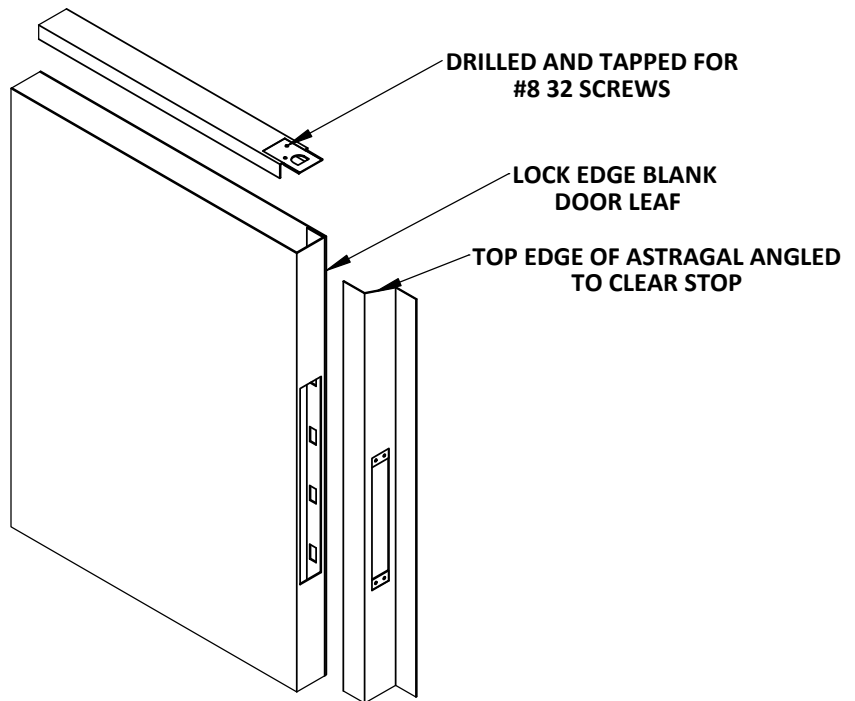


PREPARATION IN DOOR EDGE

DOOR HEIGHT	DIM X
6' 8" & 7' 0"	12"
8' 0"	24"
9' 0"	36"
10' 0"	48"

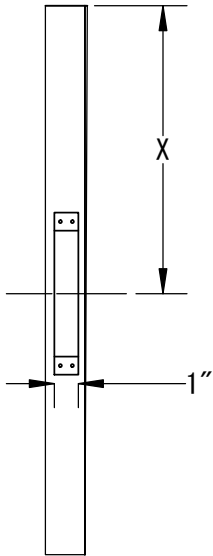


PREPARATION IN ASTRAGAL

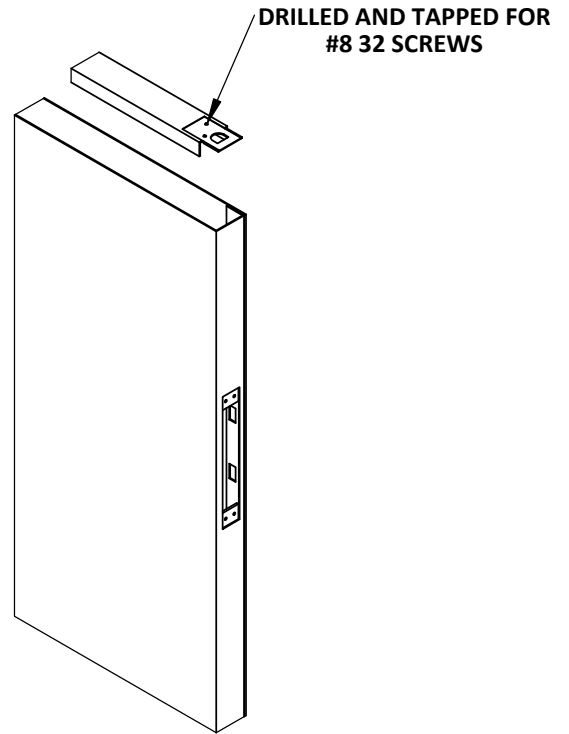


CORE MATERIAL MUST BE CLEARED OUT BEFORE APPLICATION OF FLUSH BOLT

**ANSI 115.4 FLUSH BOLT PREPARATION
WITHOUT ASTRAGAL**



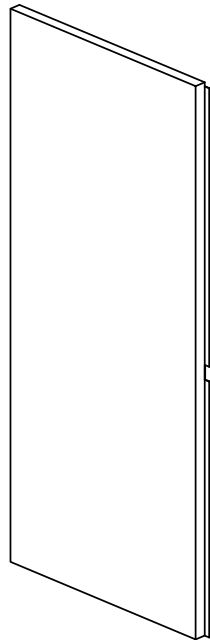
DOOR HEIGHT	DIM X
6' 8" & 7' 0"	12"
8' 0"	24"
9' 0"	36"
10' 0"	48"



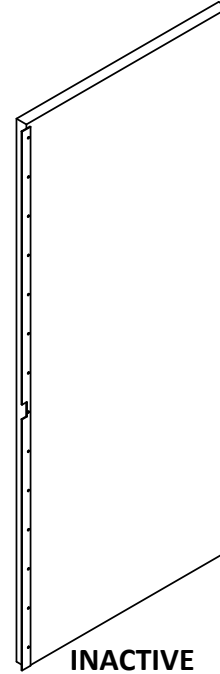
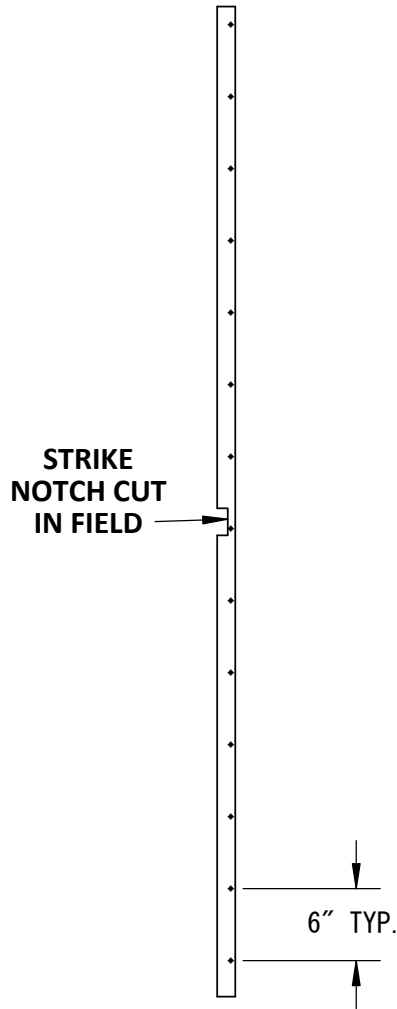
**CORE MATERIAL MUST BE CLEARED
OUT BEFORE APPLICATION OF FLUSH BOLT**



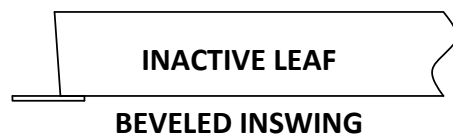
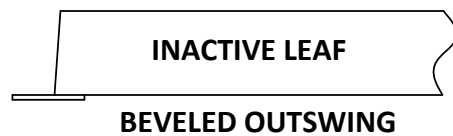
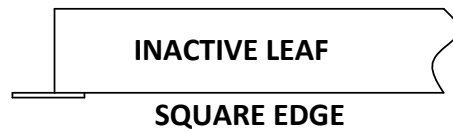
FLAT ASTRAGAL



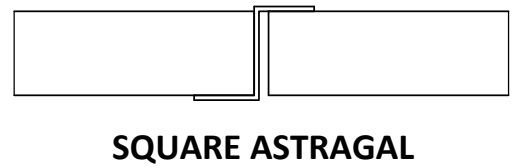
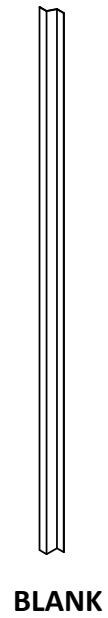
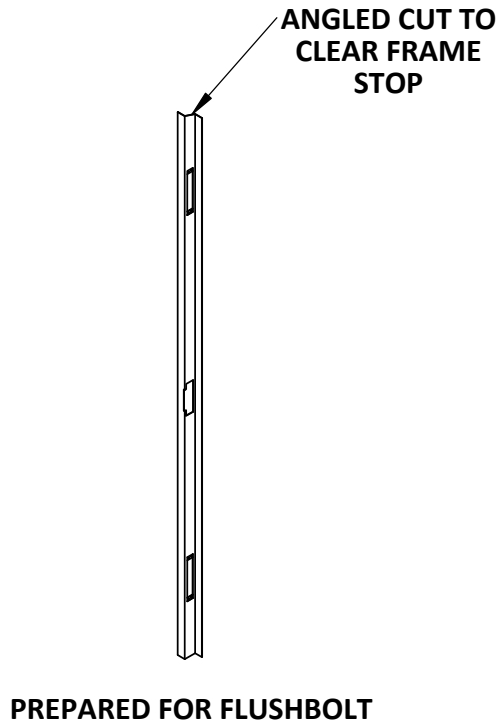
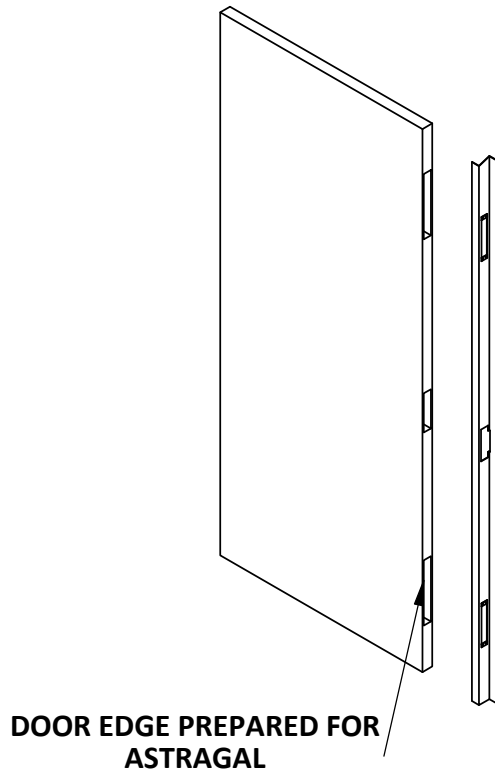
ACTIVE



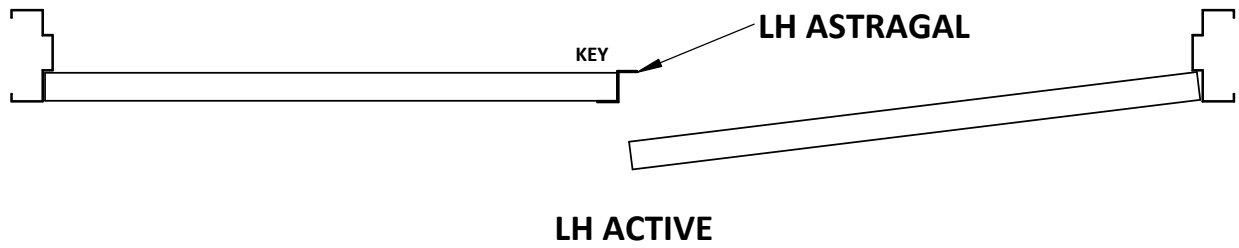
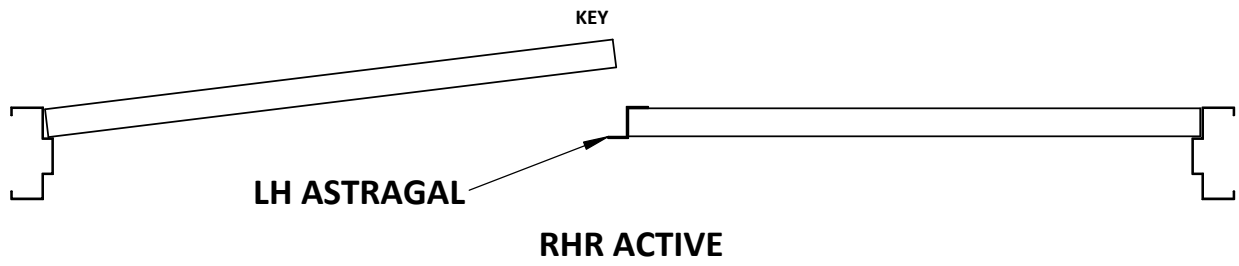
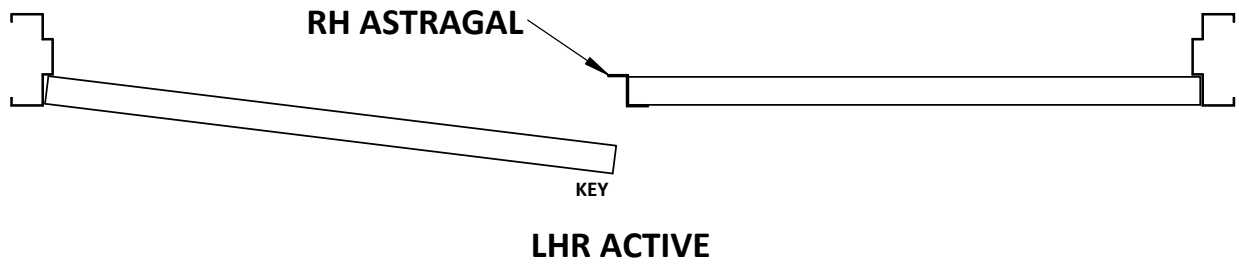
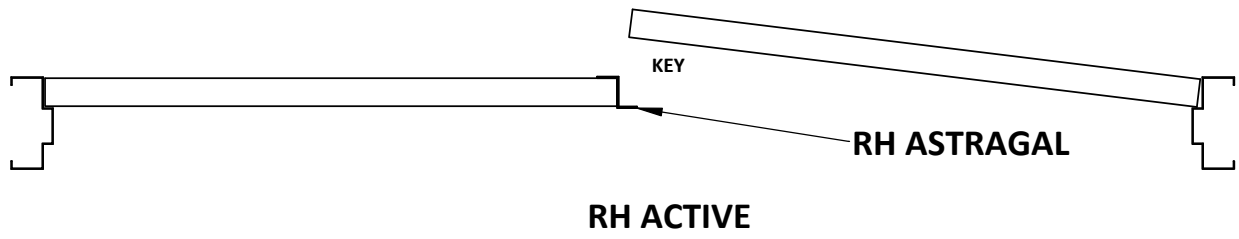
INACTIVE



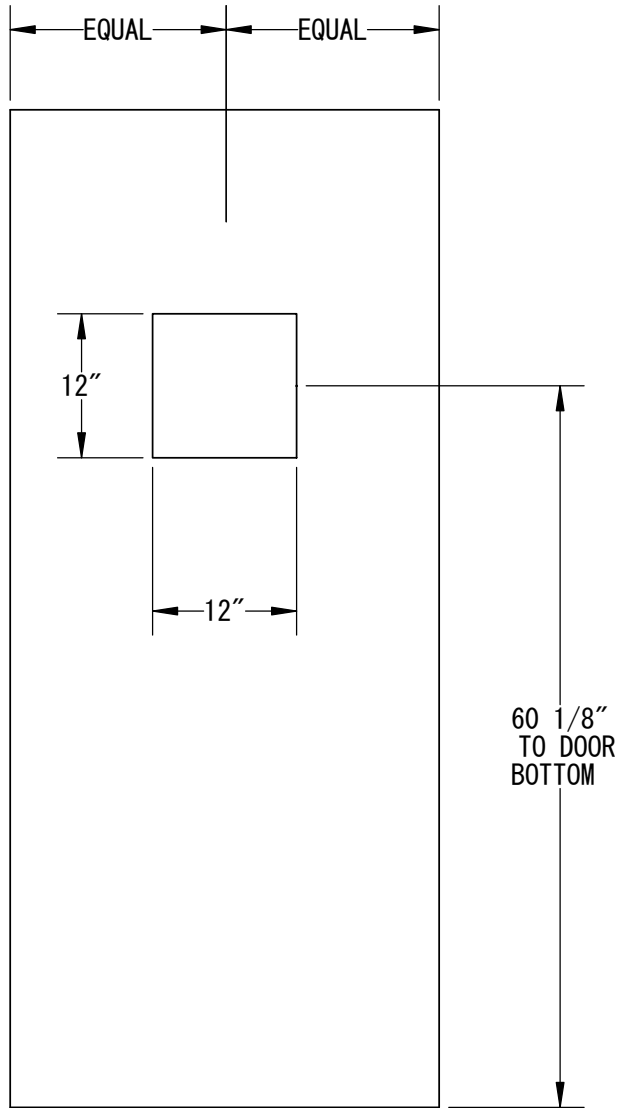
Z - ASTRAGAL



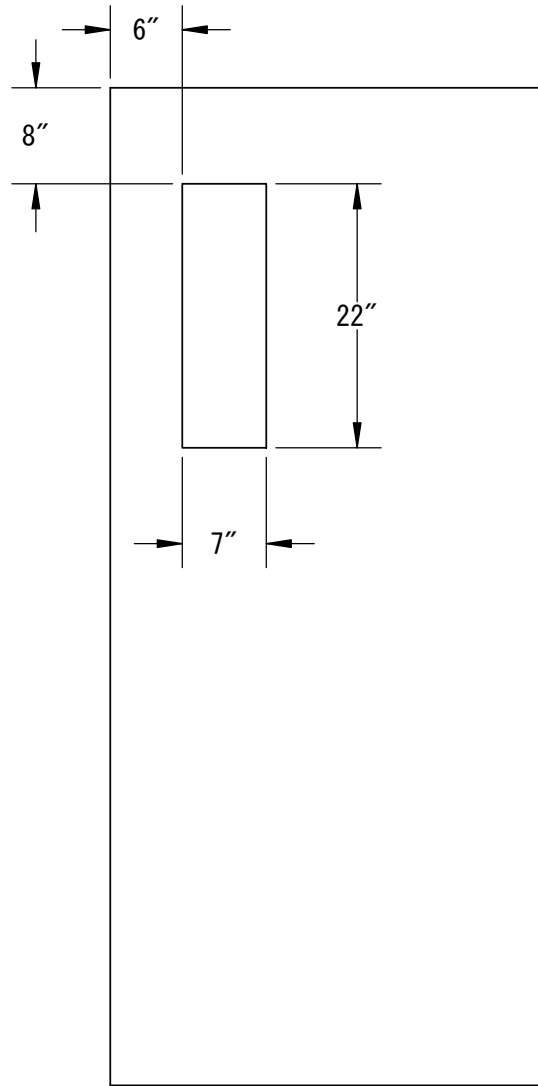
Z - ASTRAGAL HANDING



GLASS KIT RECOMMENDED LOCATION



V
EXPOSED GLASS
10" X 10"

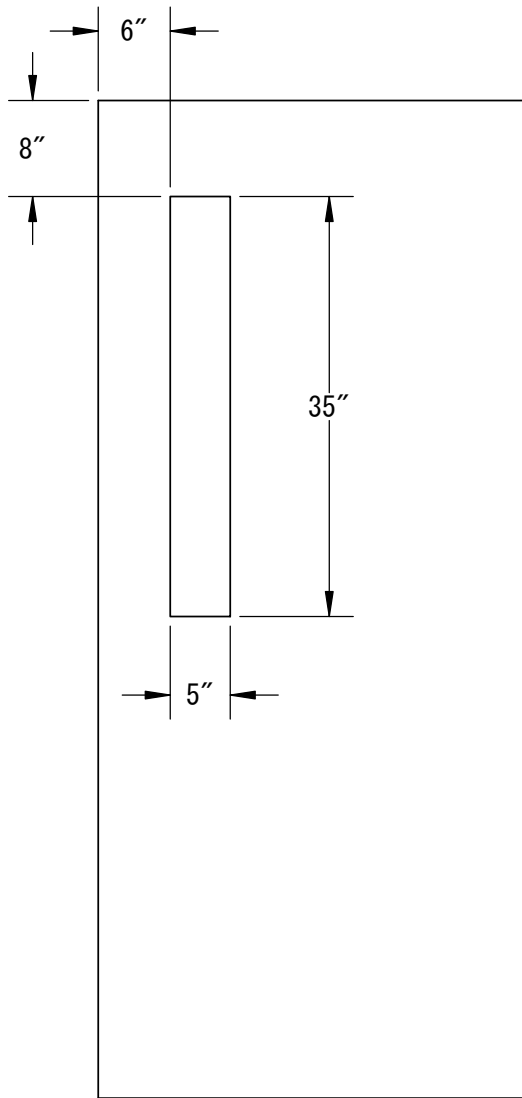


N2
EXPOSED GLASS
5" X 20"

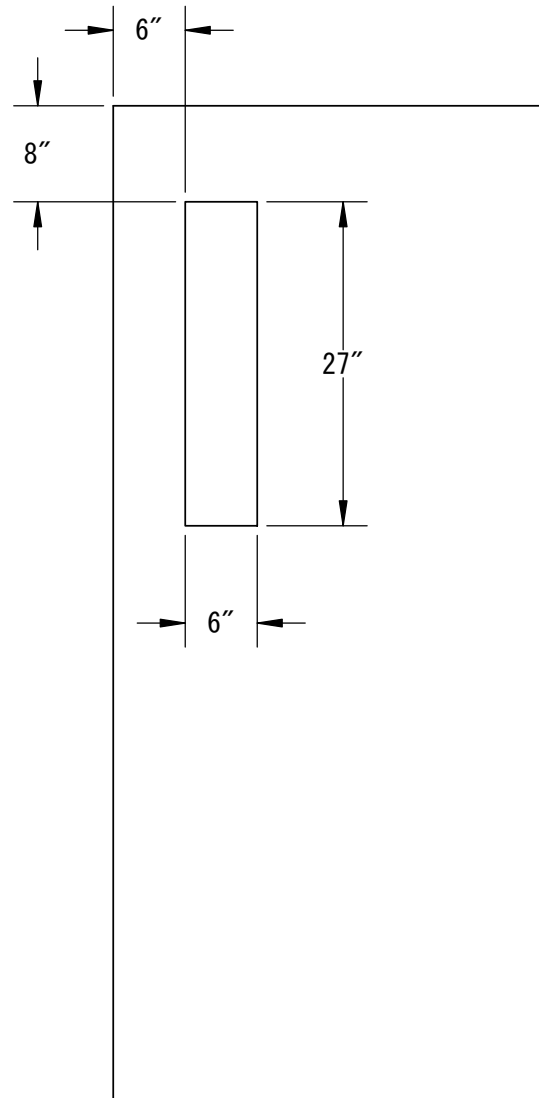
NVS requires a 6" minimum from all cutouts to door edge for louvers and glazing.



GLASS KIT RECOMMENDED LOCATION



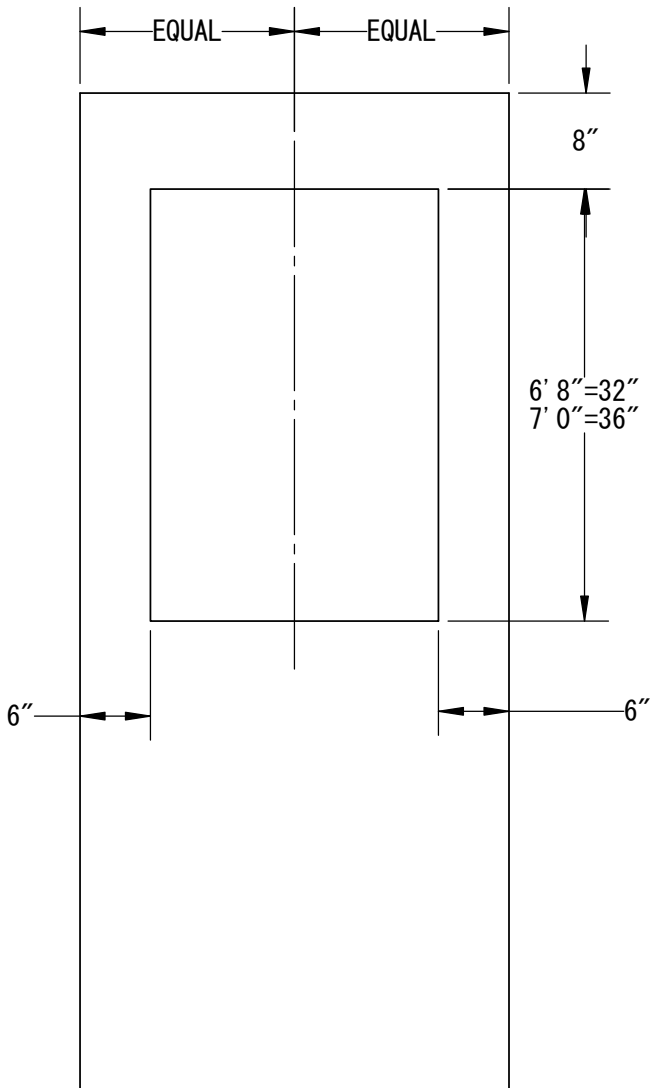
N1
EXPOSED GLASS
3" X 33"



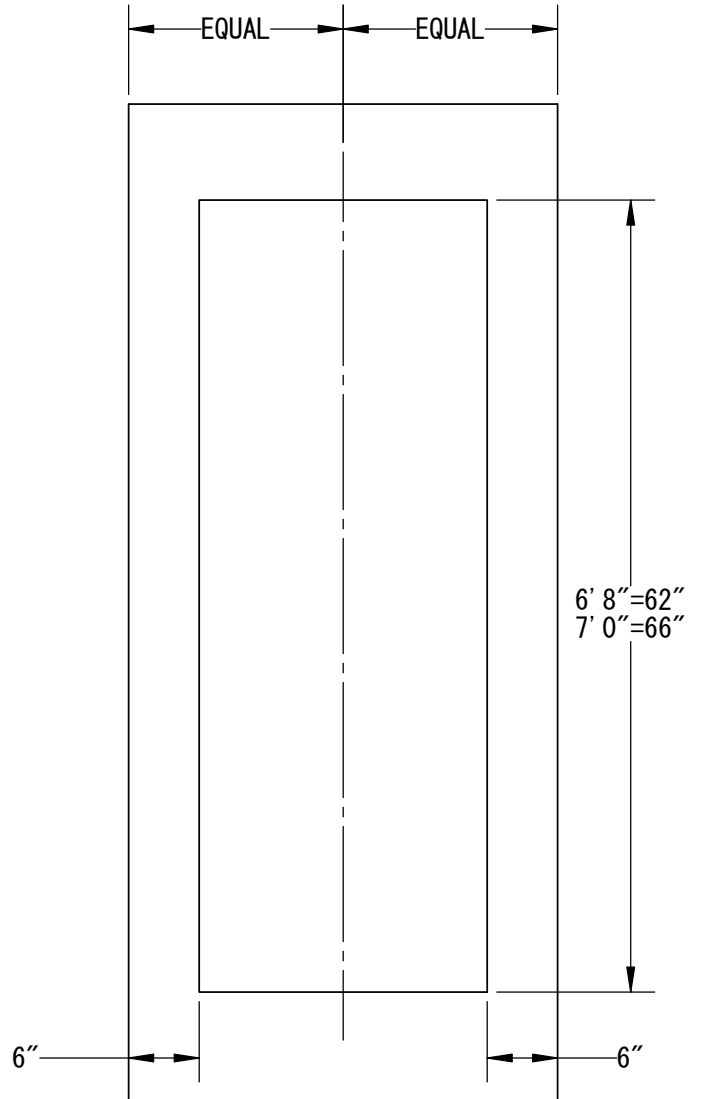
N3
EXPOSED GLASS
4" X 25"

NVS requires a 6" minimum from all cutouts to door edge for louvers and glazing.

GLASS KIT RECOMMENDED LOCATION



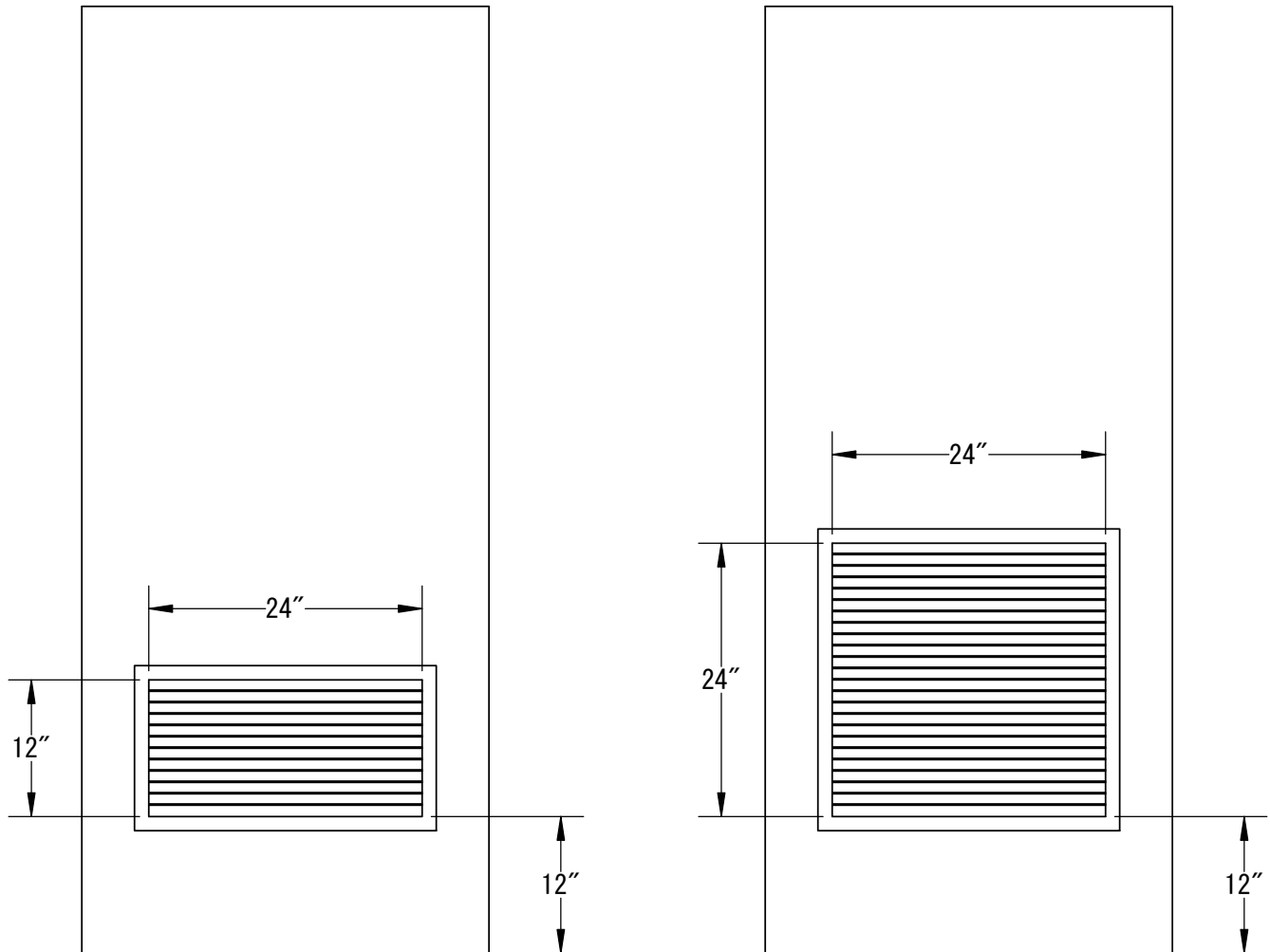
G
EXPOSED GLASS
 FOR 6'8" = 22" X 30"
 FOR 7'0" = 22" X 34"



FG
EXPOSED GLASS
 FOR 6'8" = 22" X 60"
 FOR 7'0" = 22" X 64"

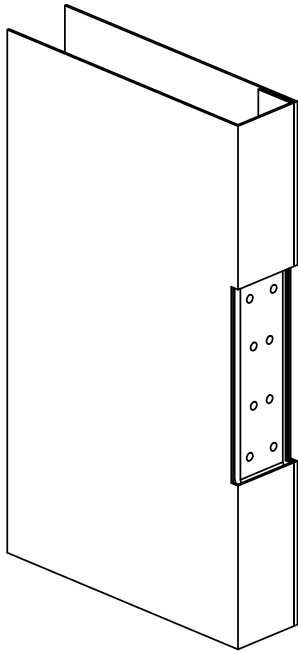
NVS requires a 6" minimum from all cutouts to door edge for louvers and glazing.

**LOUVER
RECOMMENDED LOCATIONS**

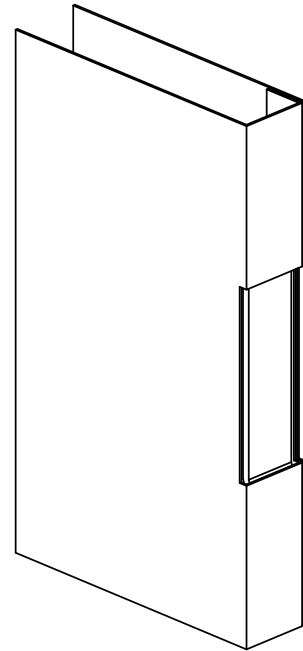


Other Sizes Available. Please consult factory.
NVS requires a 6" minimum from all cutouts to door edge for louvers and glazing.
Fire rated fusible link louvers available. Max size 24" x 24".
Consult factory for pricing.

HINGE PREPARATION



**4 1/2" OR 5" TEMPLATED
HINGE PREPARED DRILLED
AND TAPPED FOR 12-24
MACHINE SCREWS.**

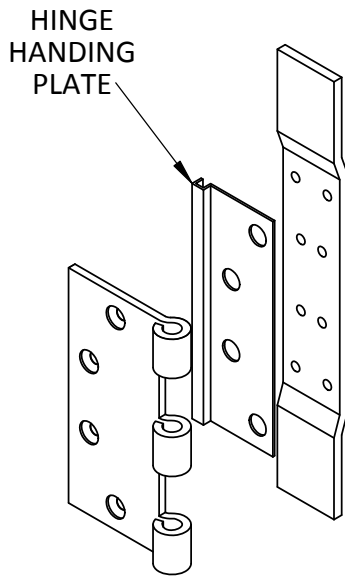
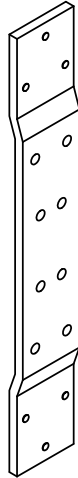


**4" OR 6" HINGE PREPARED
"BLANK". MUST BE
DRILLED AND TAPPED BY
OTHERS.**



STANDARD HINGE REINFORCEMENTS

STANDARD HINGE REINFORCEMENT
FOR MIDDLE AND BOTTOM HINGES



UNIVERSAL HANDING

**FOR HEAVY WEIGHT HINGES,
A THINNER HANDING PLATE
IS AVAILABLE.**

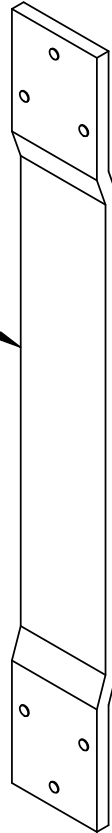
EXTRA LONG HIGH FREQUENCY
TOP HINGE REINFORCEMENT



7 GAUGE HINGE REINFORCEMENT
EXTENDED TO TOP OF DOOR FOR
EXTRA RIGIDITY WITH 3 EXTRA
PROJECTION WELDS TO PREVENT
DOOR SAG.

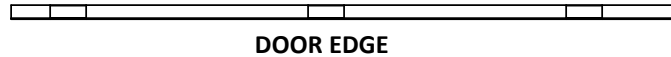
BLANK HINGE REINFORCMENT

4" AND 6" HINGE
REINFORCEMENT TO BE DRILLED
AND TAPPED BY OTHERS.

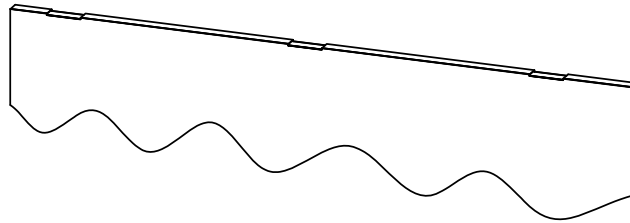


INSTALLING HINGES IN A BLANK DOOR EDGE

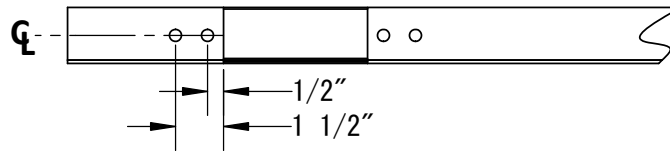
LAY OUT THE DESIRED HINGE LOCATION ON THE DOOR EDGE. USE AN ACTUAL HINGE TO ENSURE PROPER CLEARANCE.



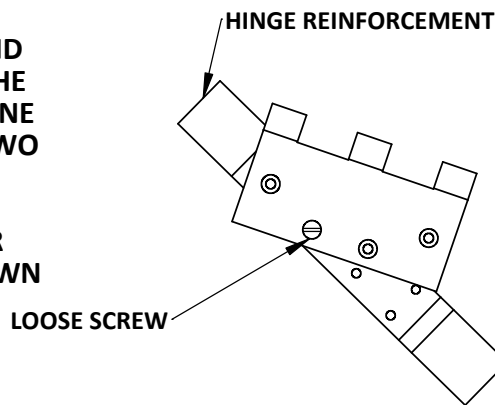
MAKE THE CUT-OUTS WITH A "JIG" SAW. GRIND OR FILE AS REQUIRED. ALL EDGES MUST BE FINISHED: ALSO ALLOW FOR HINGE FILLER PLATE AT PROPER DEPTH (.180" FOR STANDARD WEIGHT HINGE AND FILLER)



DRILL TWO 3/8" DIAMETER HOLES ABOVE AND BELOW EACH CUT-OUT, AS SHOWN.

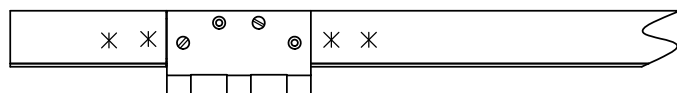


ATTACH A HINGE LEAF AND HINGE FILLER PLATE TO THE REINFORCEMENT WITH ONE SCREW. TIGHTEN ONLY TWO THREADS SO THE REINFORCEMENT CAN BE PLACED INSIDE THE DOOR AND MOVED UP AND DOWN UNTIL POSITIONED.

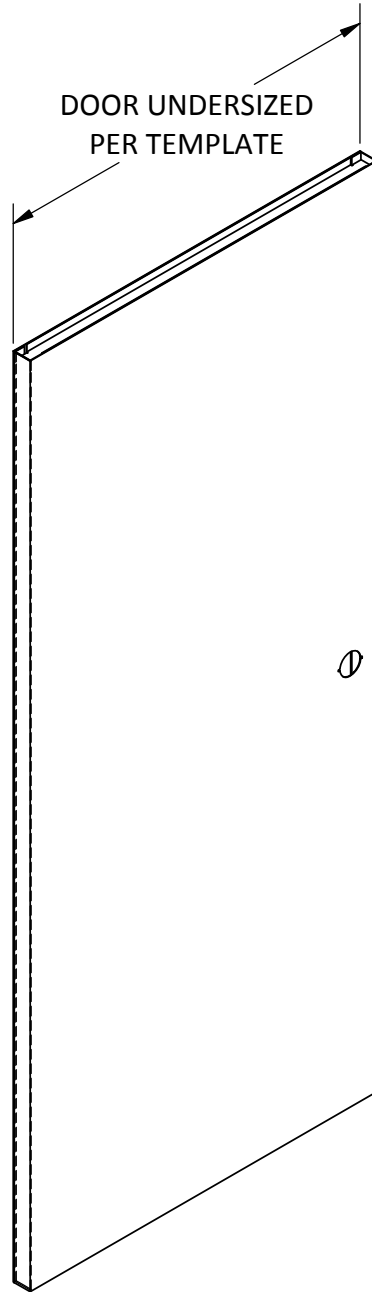
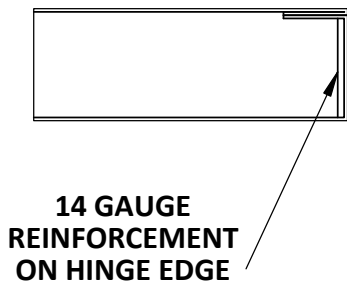


NOTE: IF USING A MESKER HINGE REINFORCEMENT, YOU MUST FIRST REMOVE THE WELD PROJECTIONS. (GRIND OR FILE) THE HINGE REINFORCEMENT MUST BE CENTERED IN BETWEEN DOOR FACES.

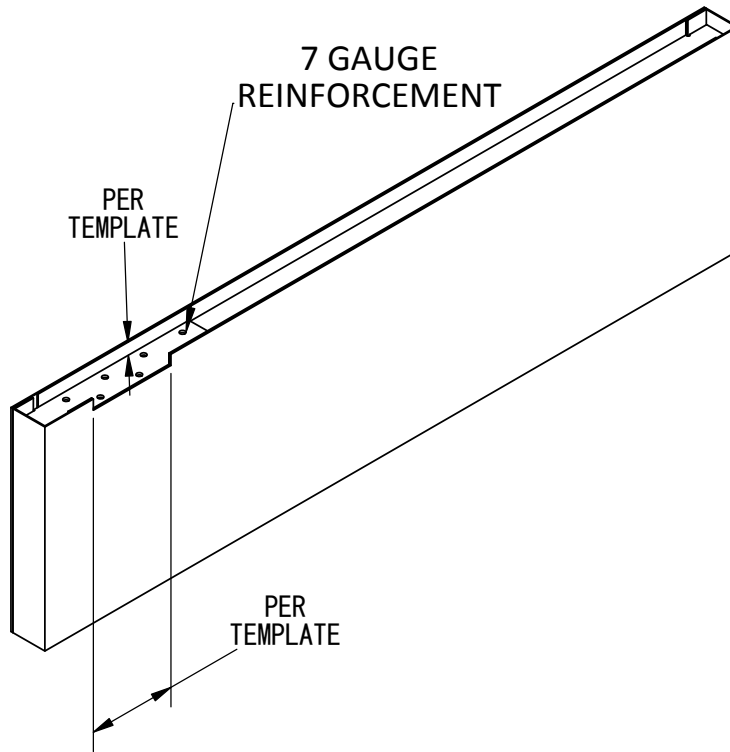
INSTALL A SECOND SCREW AND TIGHTEN BOTH SCREWS. FIRMLY HOLD THE REINFORCEMENT AGAINST THE INSIDE SKIN OF THE DOOR EDGE. FULLY WELD (FILL) THE 3/8" DIAMETER HOLES. REMOVE THE HINGE LEAF. GRIND THE WELDS SMOOTH AND RE-PRIME.



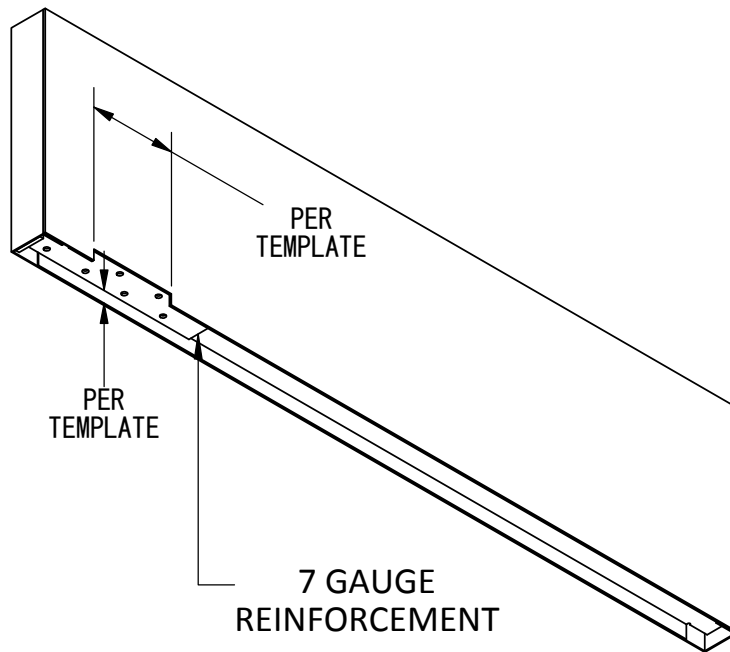
CONTINUOUS HINGE REINFORCEMENT



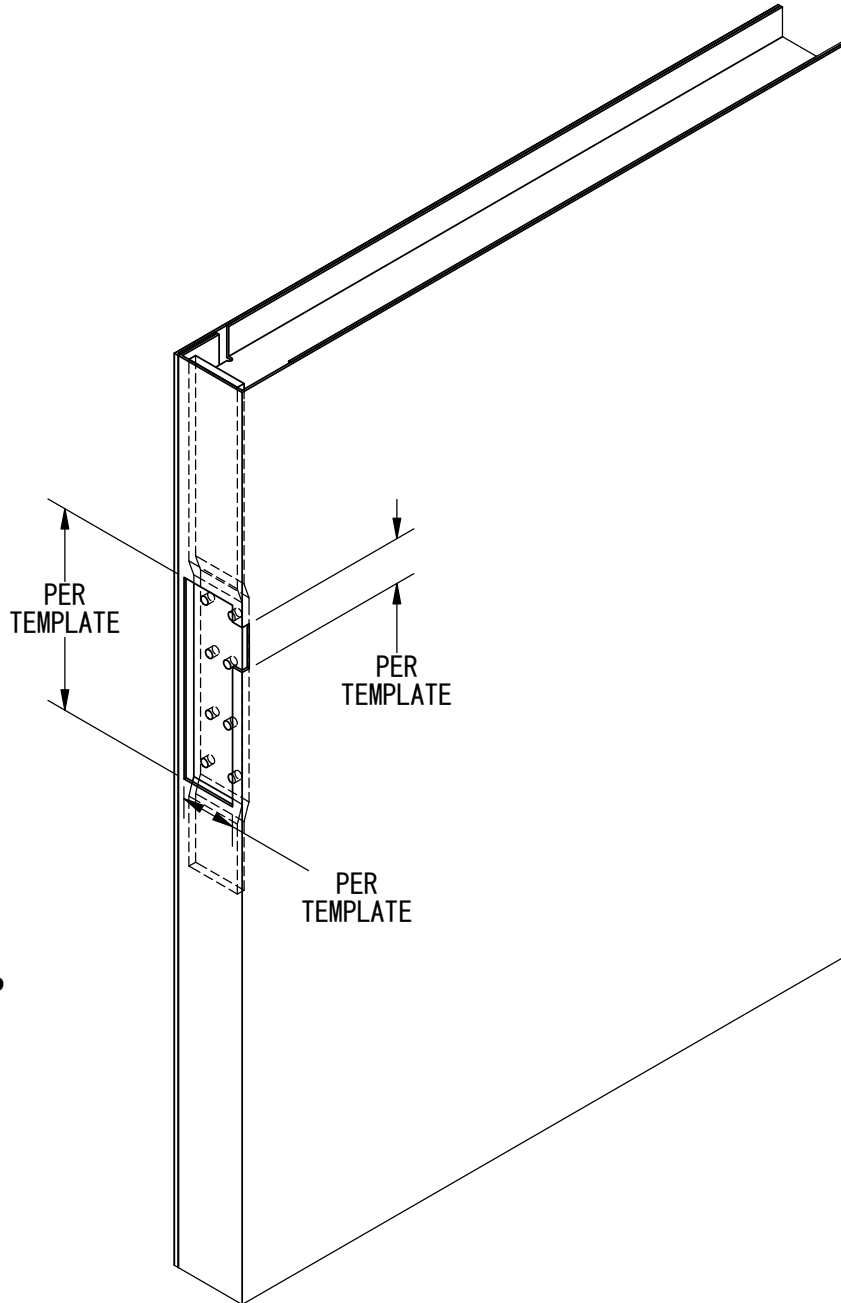
TOP AND BOTTOM PIVOT PREPARATION



SIZE AND TAP PER TEMPLATE



INTERMEDIATE PIVOT PREPARATION

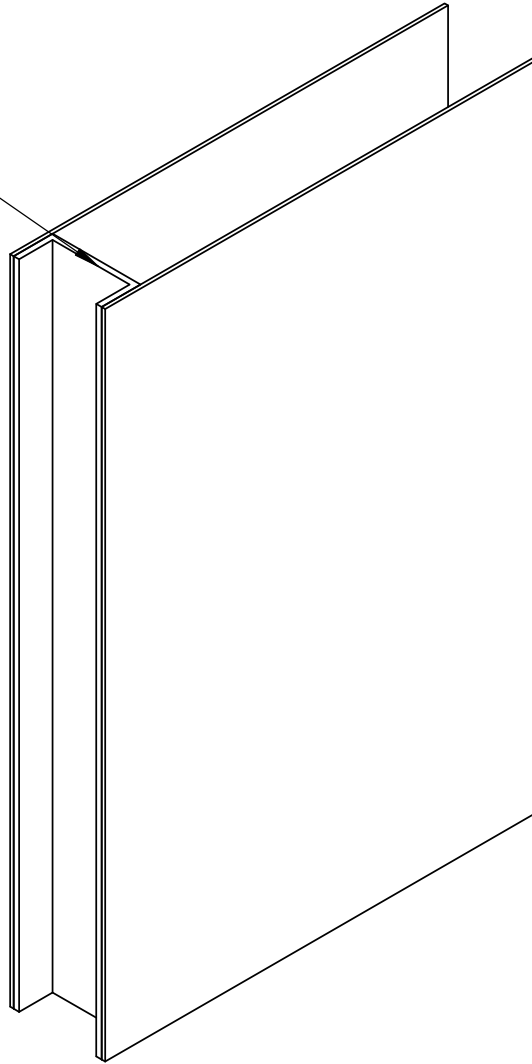


SIZE, DRILL, AND TAP
PER TEMPLATE

DOOR POCKET PIVOT

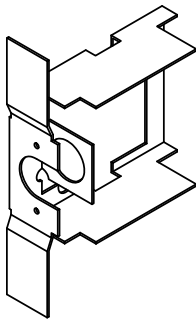
12 GAUGE
CONTINUOUS
CHANNEL

MOUNTING HOLES
DRILLED AND TAPPED
BY OTHERS

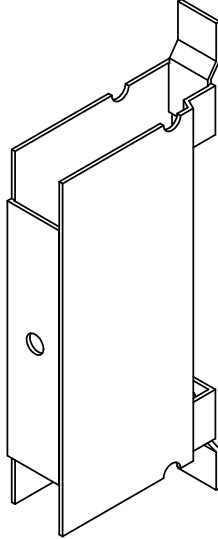


STANDARD LOCK PREPARATIONS
STANDARD CLOSER PREPARATIONS

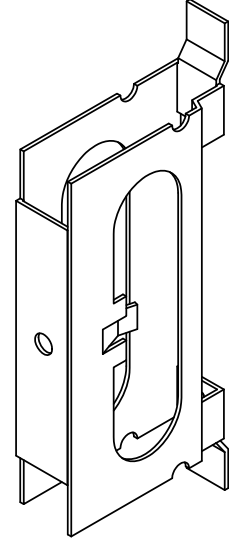
161 CYLINDRICAL LOCK
(C4) REINFORCEMENT



GOV'T 86 EDGE
MORTISE LOCK (MBN)
REINFORCEMENT

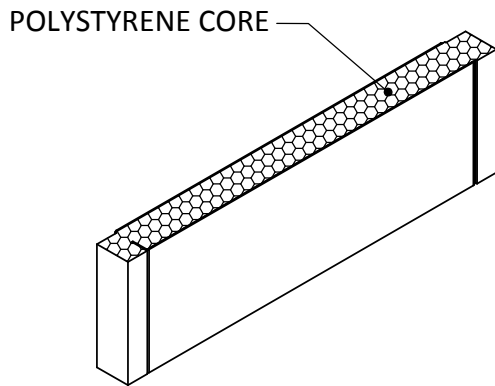


GOV'T 86 EDGE
MORTISE LOCK (M) (MB)
REINFORCEMENT

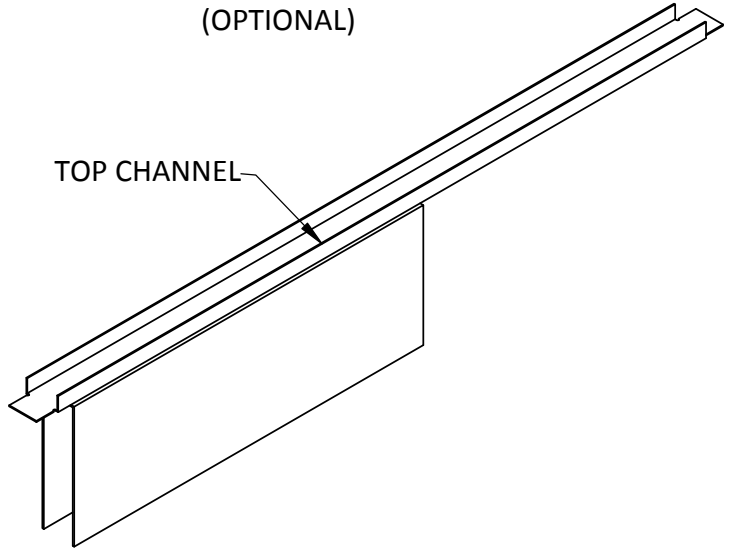


14 GAUGE
CLOSER REINFORCEMENTS

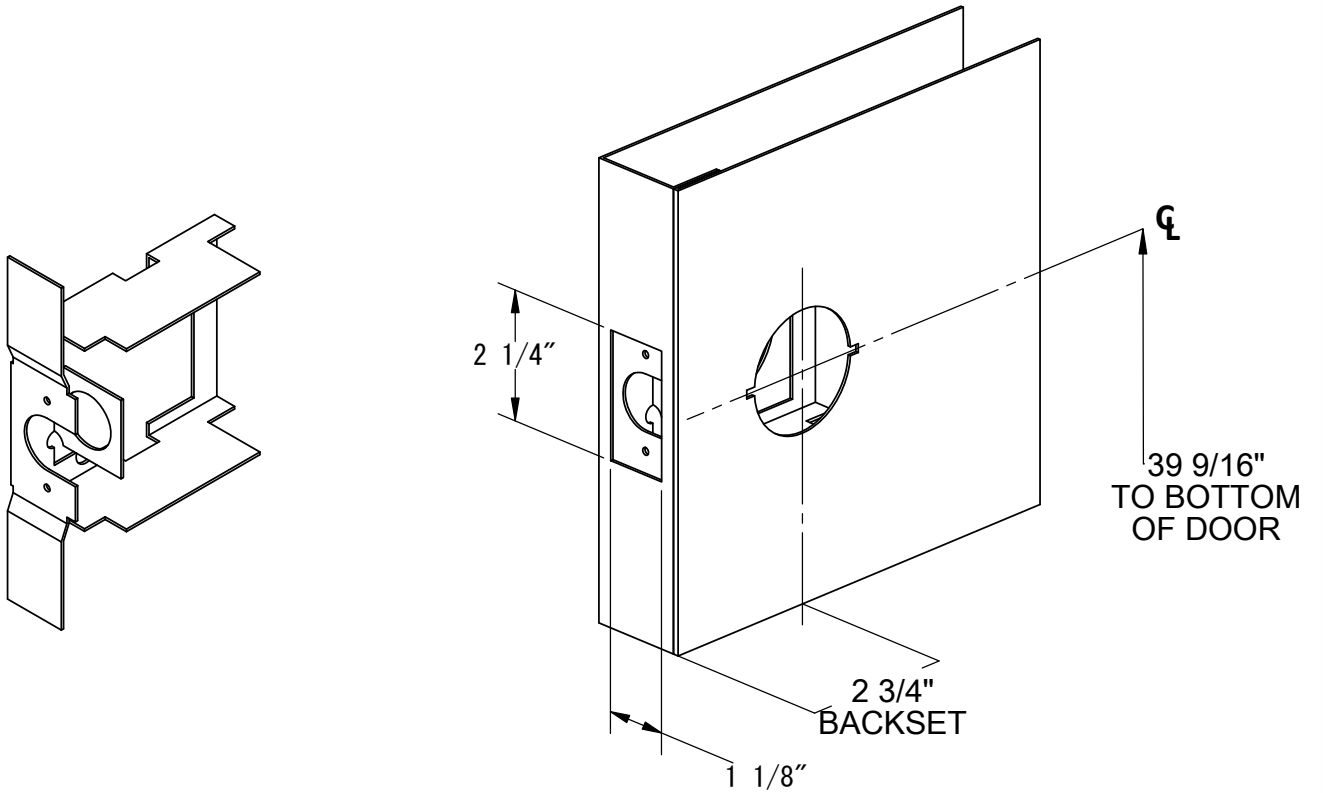
STANDARD



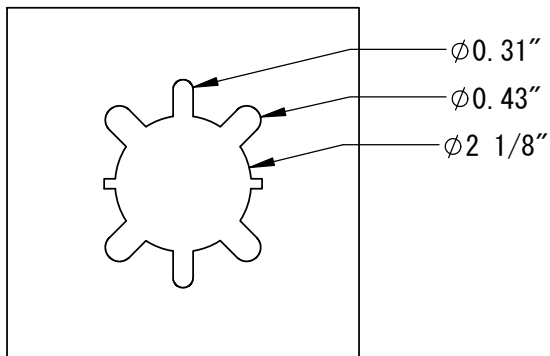
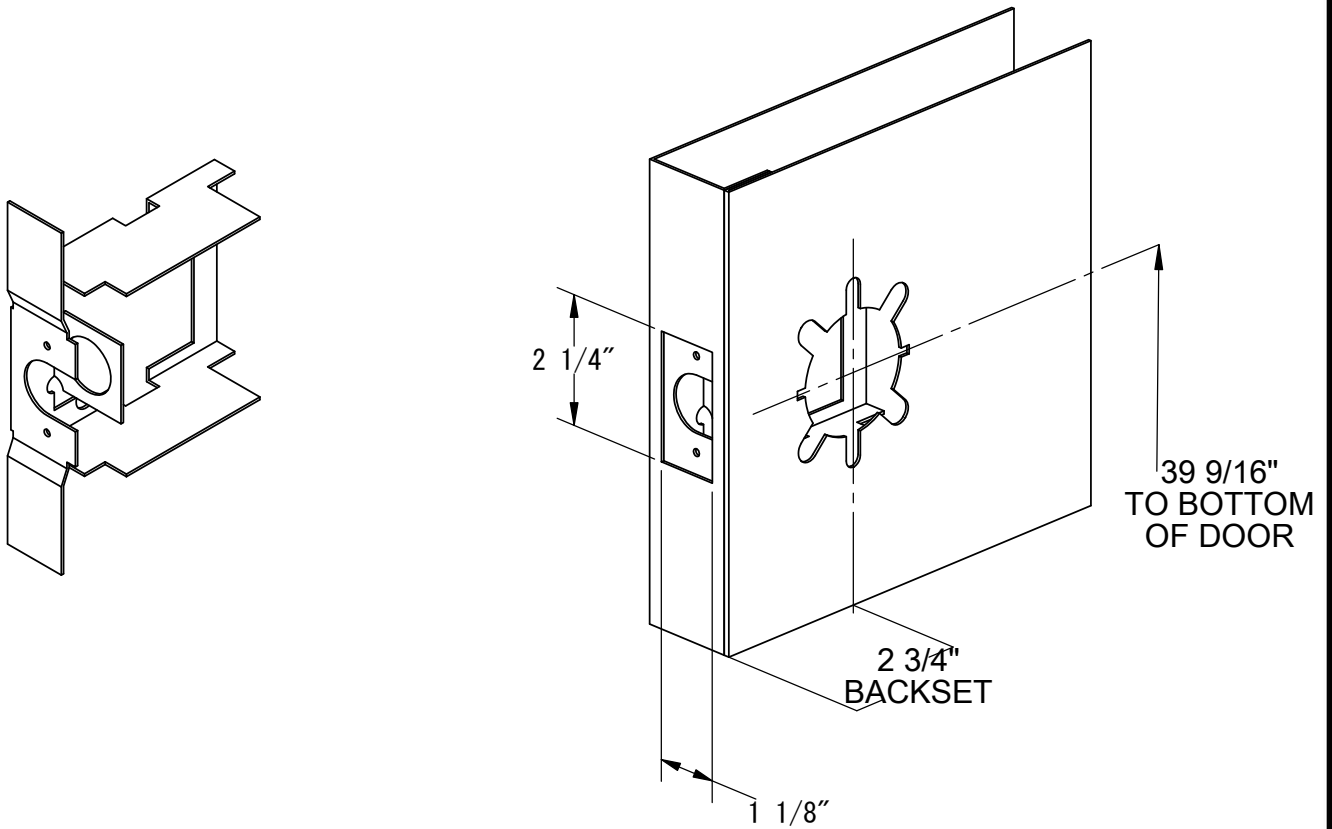
(OPTIONAL)



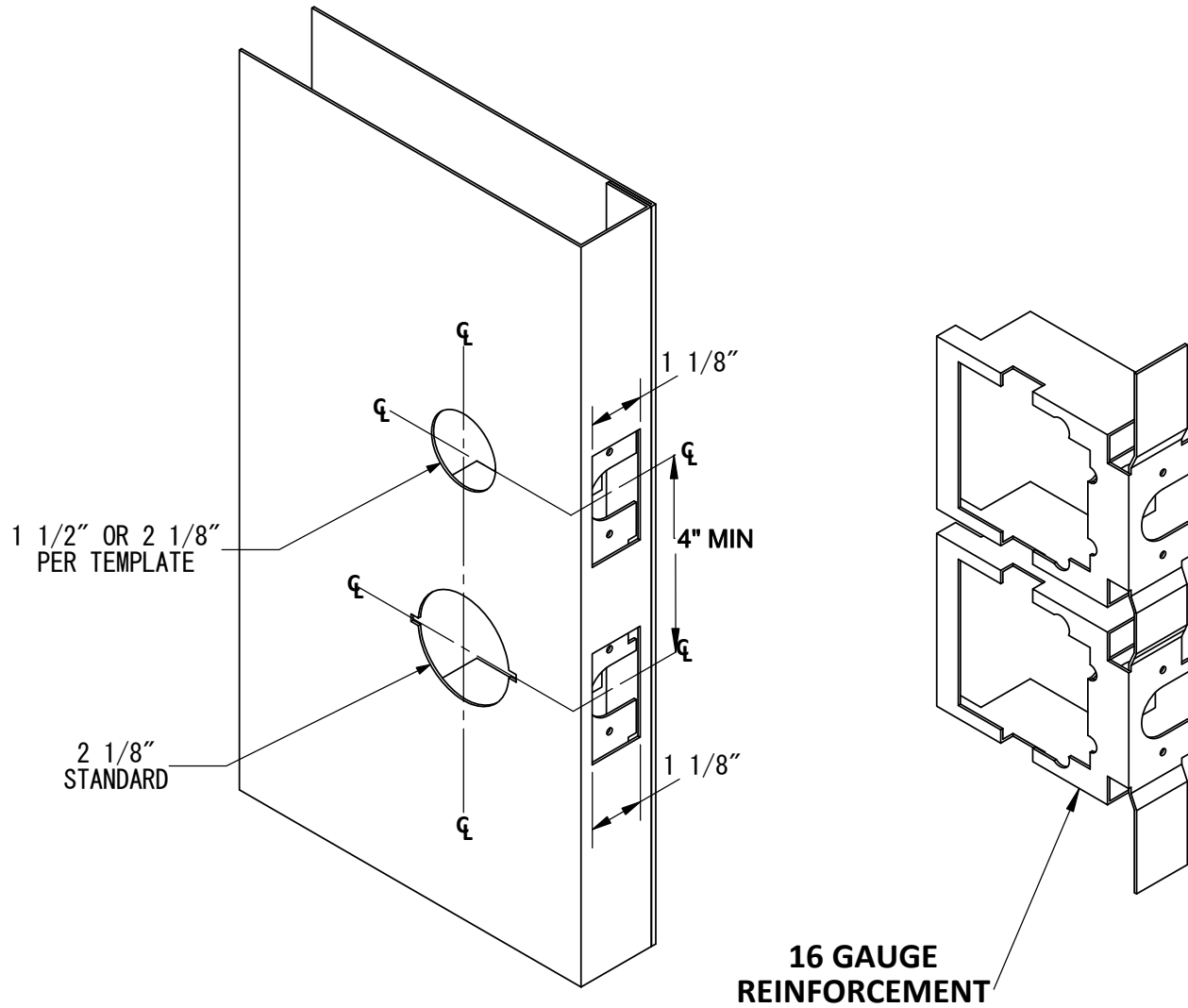
C4 LOCK PREPARATION 1 3/4" DOOR
GOVT NO. 161



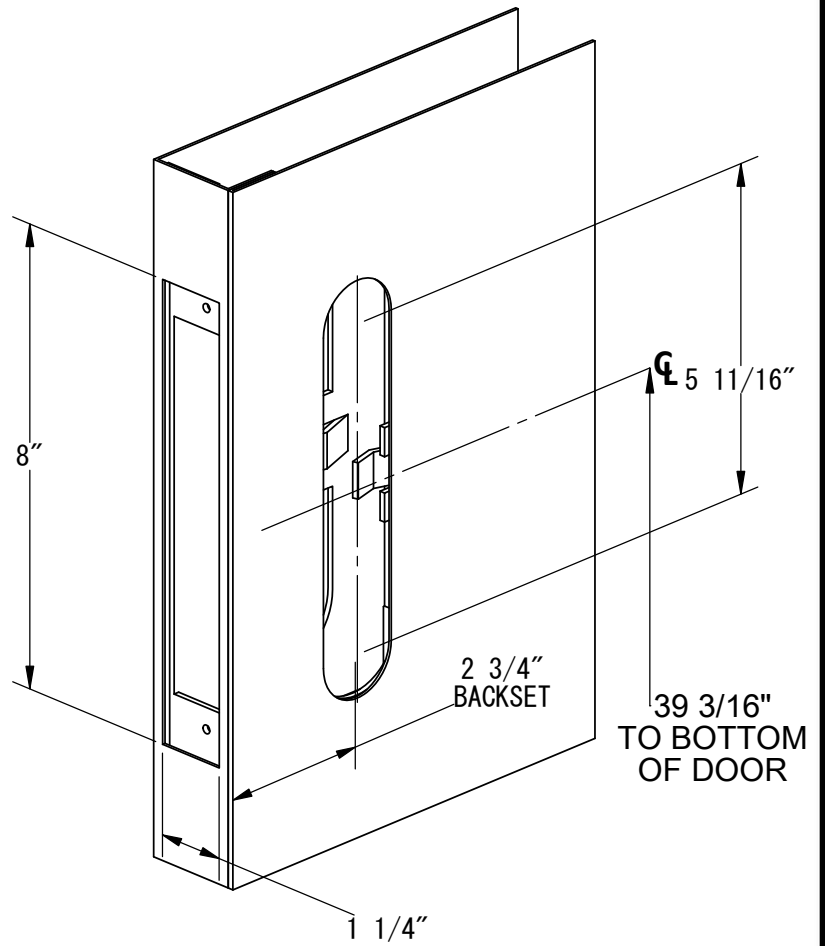
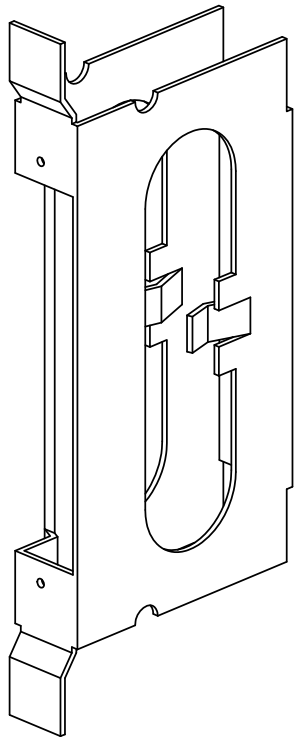
C4 TURTLE LOCK PREPARATION 1 3/4" DOOR
GOVT NO. 161



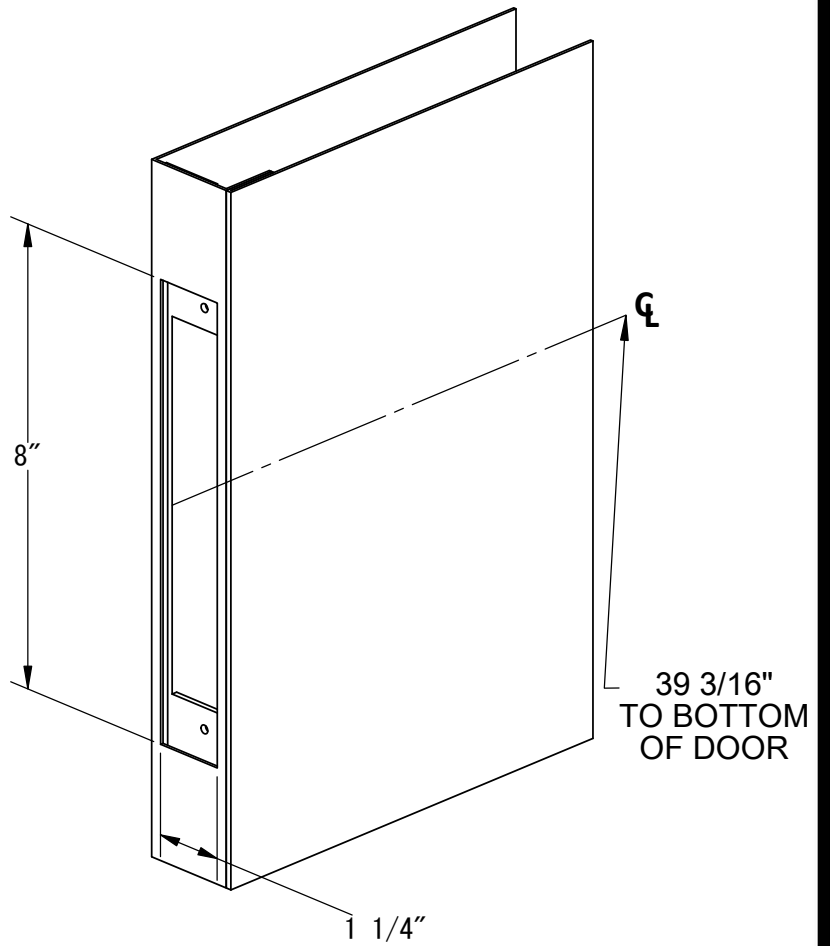
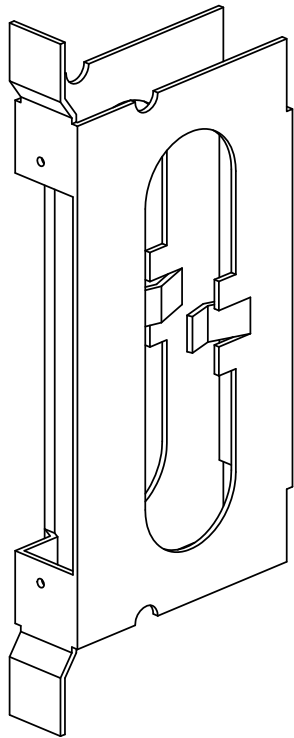
INTERCONNECTED LOCK PREPARATION



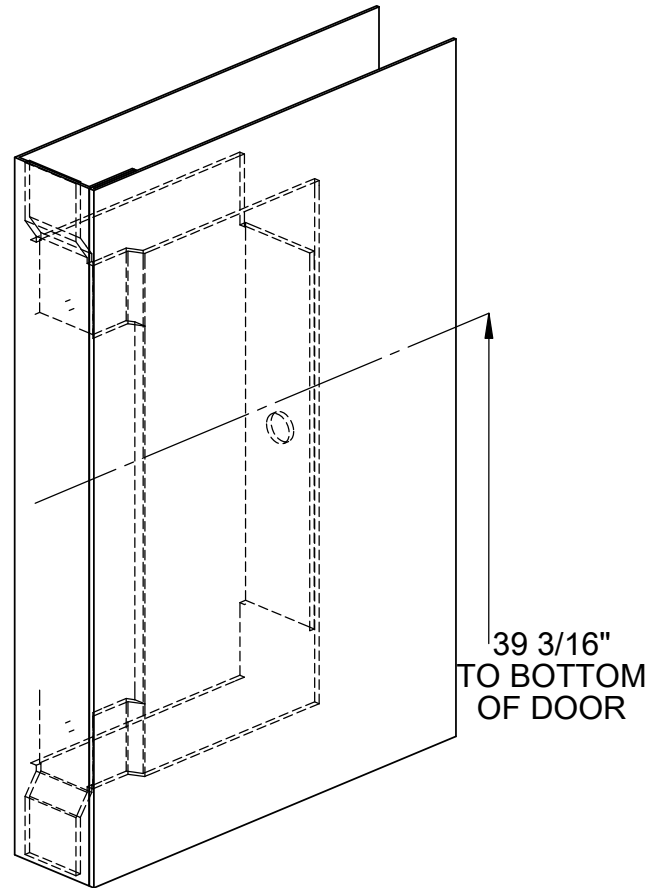
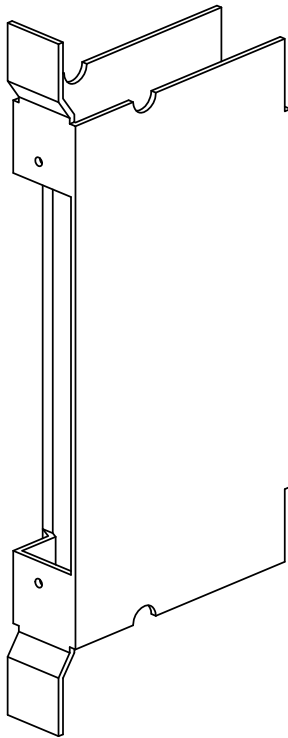
M LOCK PREPARATION 1 3/4" DOOR
GOVT NO. 86



MB LOCK PREPARATION 1 3/4" DOOR
GOVT NO. 86

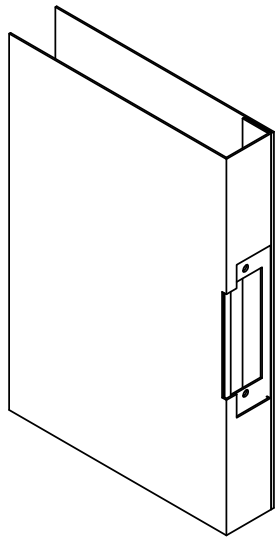


MBN LOCK PREPARATION 1 3/4" DOOR
GOVT NO. 86

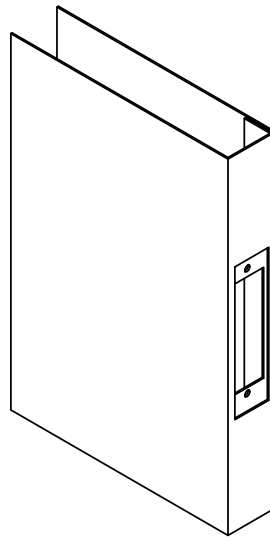


STRIKE PREPARATIONS, "U-STRIKE" , "C-STRIKE"

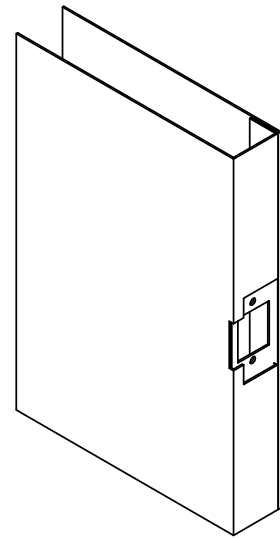
A 14 GAUGE STRIKE REINFORCEMENT.
THE STRIKE MORTISE CONFORMS TO ANSI A156.115.



"U" STRIKE MORTISE
(ASA STRIKE)



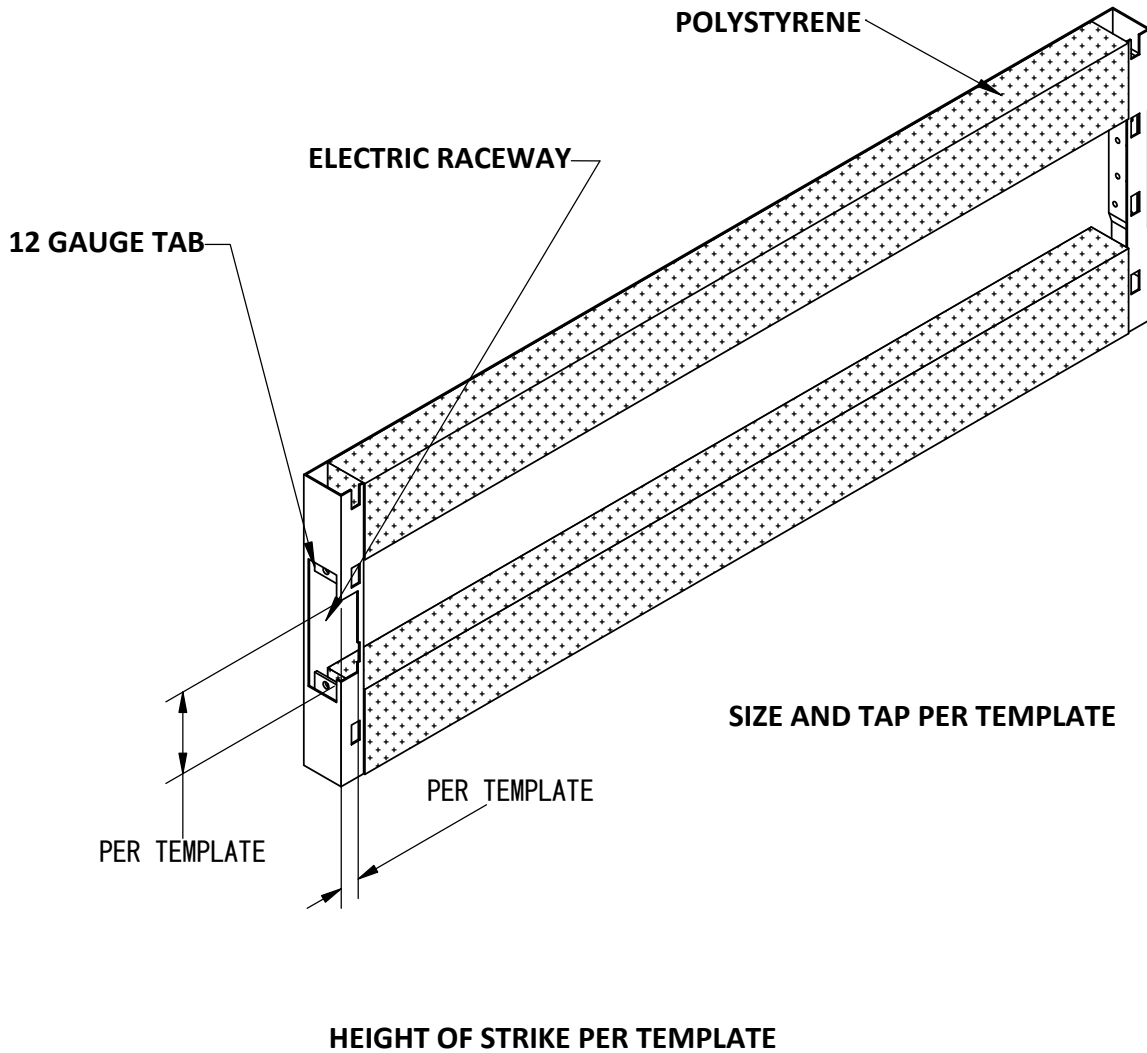
NON HANDED
"U" STRIKE MORTISE
(ASA STRIKE)
LIP NOTCH CUT BY OTHERS



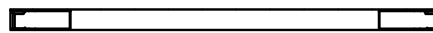
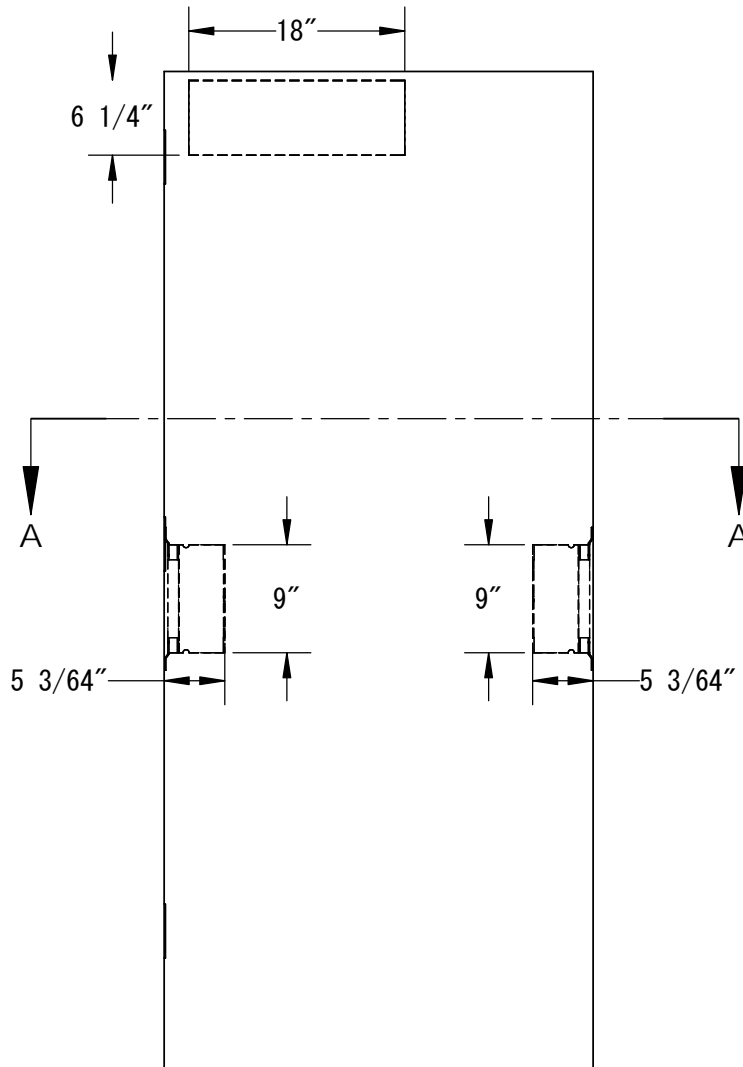
"C" STRIKE MORTISE
(T STRIKE)



ELECTRIC STRIKE PREPARATION WITH RACEWAY

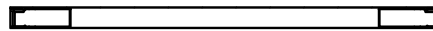
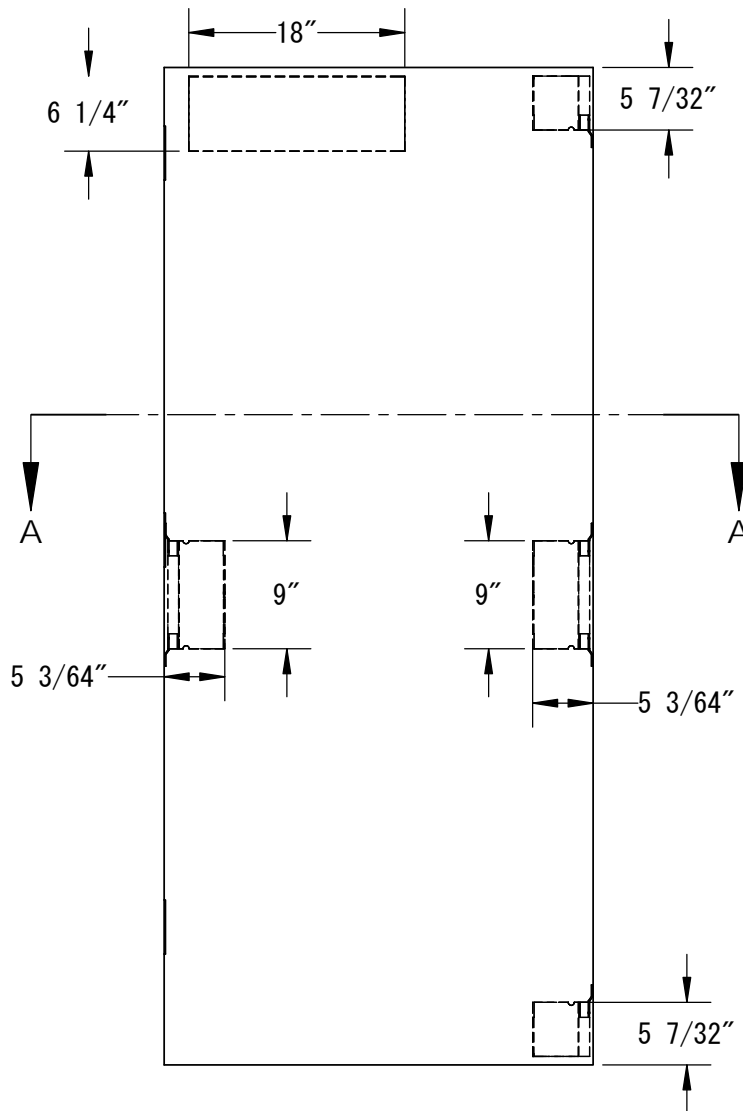


RIM PANIC (RP) DOOR REINFORCEMENTS



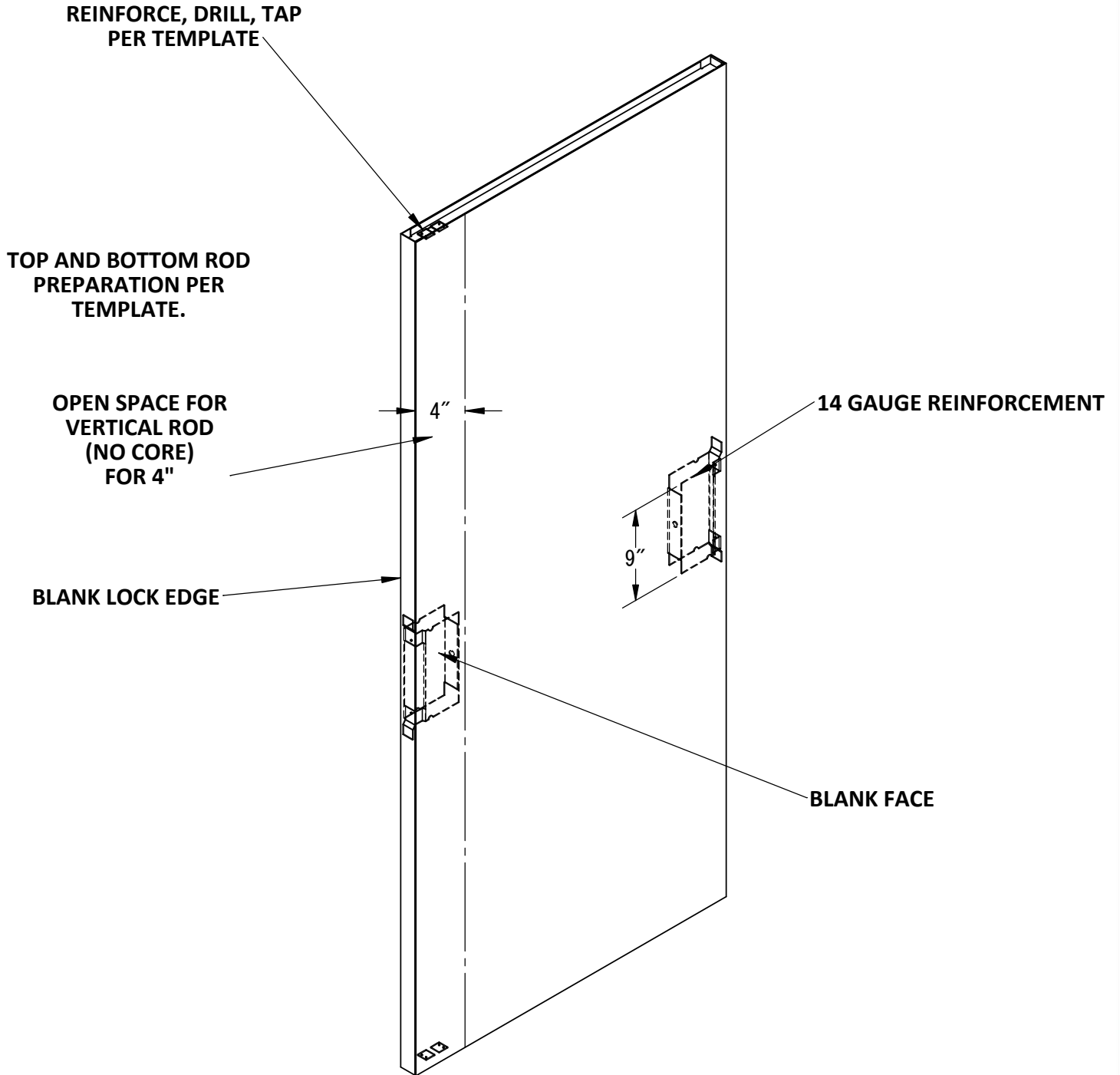
SECTION A

**SURFACE VERTICAL ROD DOOR
REINFORCEMENTS (SVR)**

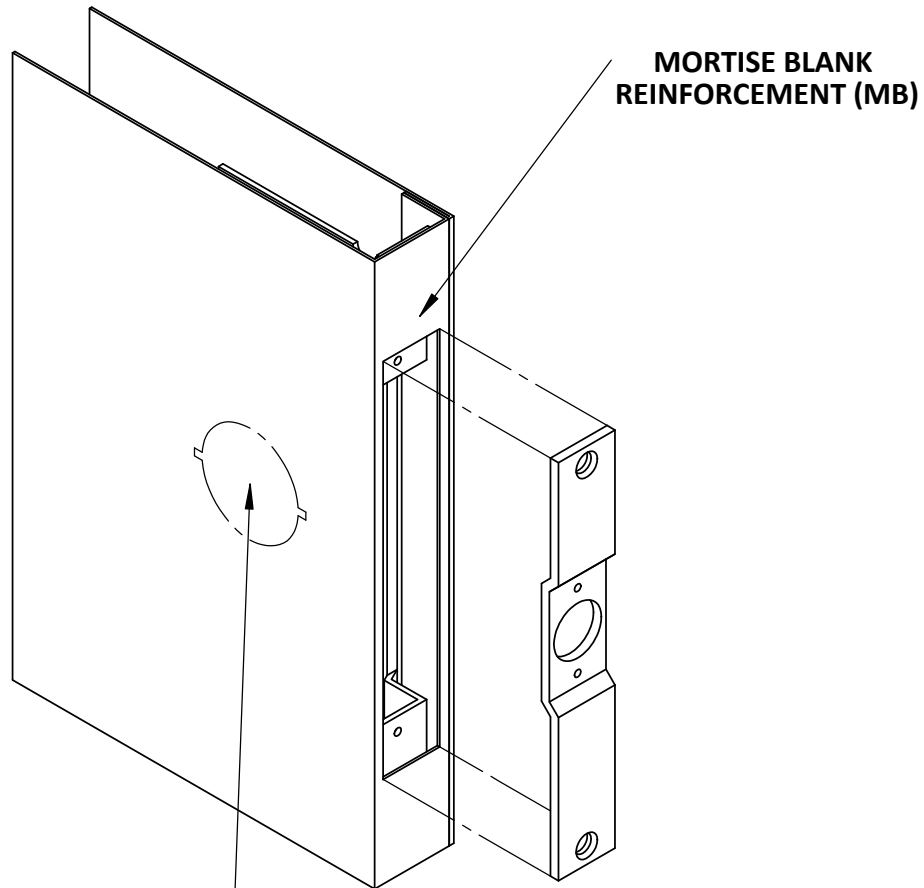


SECTION A

CONCEALED VERTICAL ROD PREPARATION



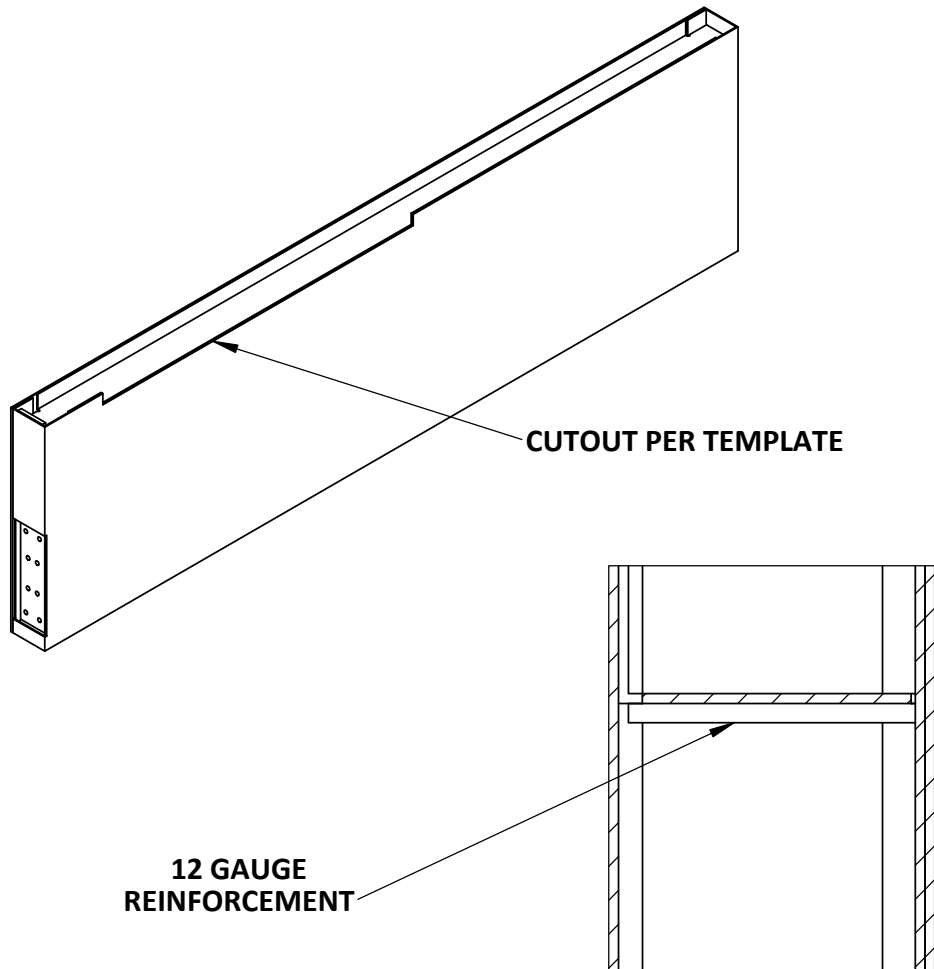
MORTISE (MB) TO CYLINDRICAL (C4) LOCK ADAPTER



DRILL 2 1/8" DIAMETER HOLE AT
2 3/4" BACKSET 39 9/16" FROM
BOTTOM OF DOOR (FACE SHEETS
ONLY). REINFORCEMENT HAS
CLEARANCE TO CLEAR HOLE SAW.

CONCEALED HOLDER/CLOSER REINFORCEMENT

END CHANNEL IS MODIFIED FOR CORRECT DEPTH
(DIMENSIONS VARY AS PER TEMPLATE)



MOUNTING HOLES SHALL BE DRILLED AND TAPPED IN
THE FIELD FOR DESIRED HOLD OPEN ANGLE.