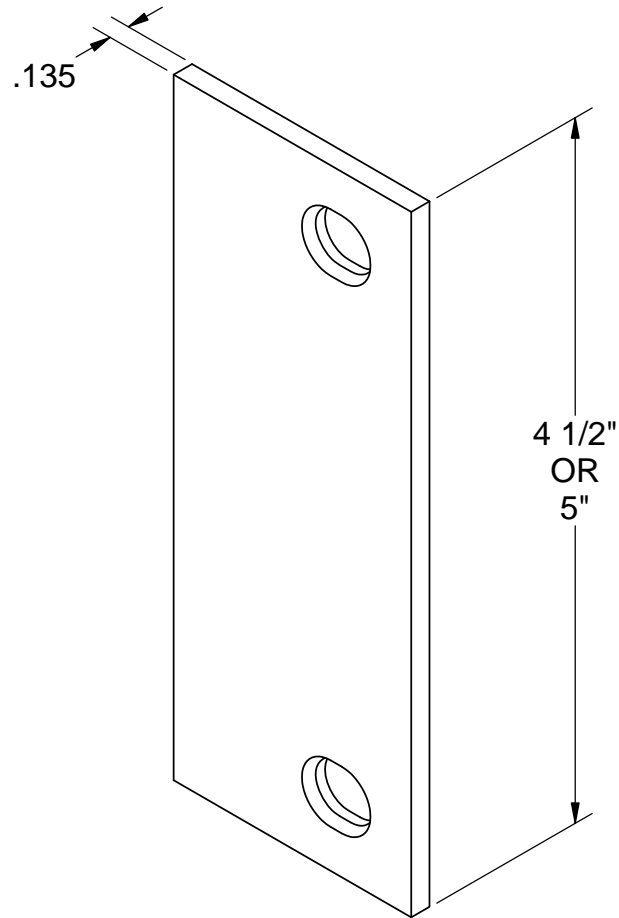


Table of Contents

Door Parts

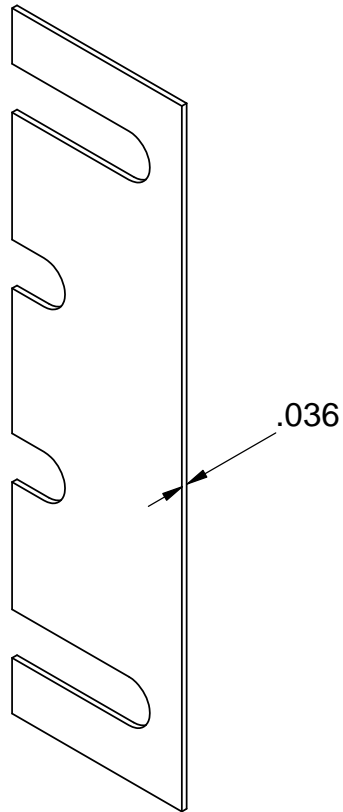
Hinge Filler Plate	PD-1
Hinge Shim	PD-2
Short Hinge	PD-3
Extra Long High Frequency Top Hinge	PD-4
Non – Standard Hinge	PD-5
Handing Plate	PD-6
Strike Adapter	PD-7
C4 Lock Box	PD-8
Strike Tab	PD-9
Cylindrical Lock Edge Filler	PD-10
Cylindrical Lock Face Filler	PD-11
Mortise Lock Edge Filler	PD-12
Change MB to C4	PD-13
Flush Bolt Reinforcement	PD-14
Flush Bolt Guide	PD-15
Flat Astragal	PD-16
Z Astragal	PD-17
H Astragal	PD-17.1
Top and Bottom Channel	PD-18
6' Channel	PD- 19
Door Conversion Style.....	PD- 20
Door Cap	PD- 21
FCS Cap.....	PD- 22
8" Dutch Door Shelf	PD- 23

**PARTS - DOOR
DOOR HINGE FILLER PLATE**



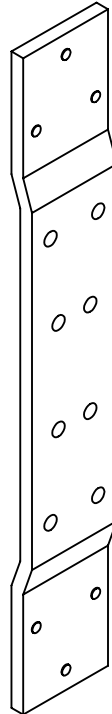
PART # PD401

PARTS - DOOR
TEMPLATE HINGE SHIM 4 1/2"



PART # PD425

**PARTS - DOOR
SHORT DOOR HINGE (HR450) AND (HR500)**



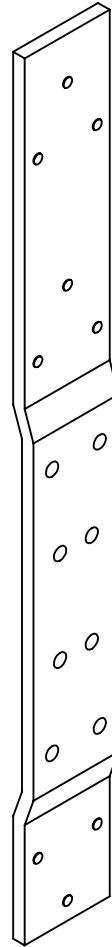
7 GAUGE

**4 1/2" PART # PDNHR450
5" PART # PDNHR500
DRILLED AND TAPPED FOR TEMPLATE HINGE**



MESKER™
The newest innovations in hollow metal from the
oldest hollow metal door company in America

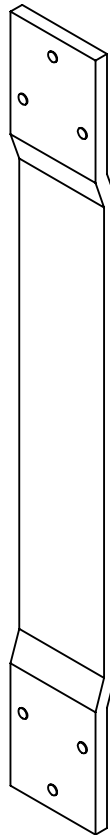
**PARTS - DOOR
EXTRA LONG HIGH FREQUENCY DOOR HINGE (LHR450)**



7 GAUGE

**PART # PDNLHR450
DRILLED AND TAPPED FOR 4 1/2" TEMPLATE HINGE
HIGH FREQUENCY**

**PARTS - DOOR
NON- STANDARD HINGE REINFORCMENT**

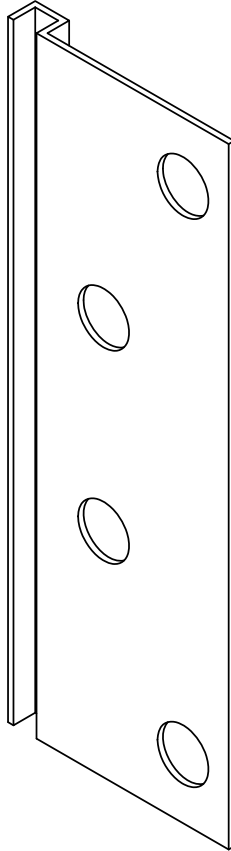


7 GAUGE

**4" PART # PDNHR400
6" PART # PDNHR600
MUST BE DRILLED AND TAPPED BY OTHERS**



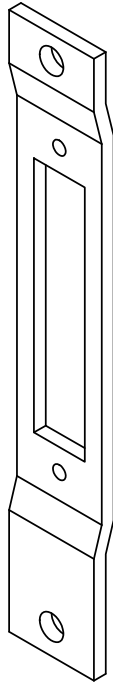
**PARTS - DOOR
HINGE FILLER (HANDING PLATE)**



**4 1/2" PART # PDHF4
4 1/2" HEAVY WEIGHT PART # PDHF4H
5" PART # PDHF5
5" HEAVY WEIGHT PART # PDHF5H**



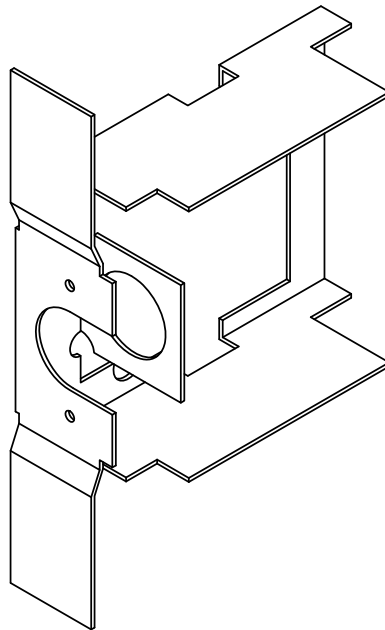
**PARTS - DOOR
STRIKE ADAPTER**



**PART # PD86SA
MB TO ASA CONVERSION**



**PARTS - DOOR
CYLINDRICAL LOCK BOX (C4)**

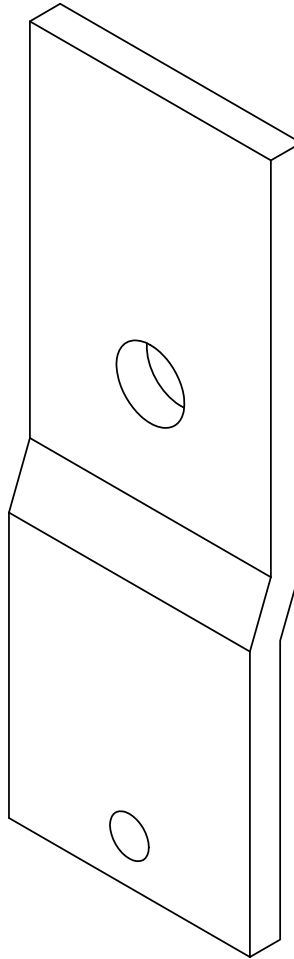


**PART # PDCLB
161 LOCK REINFORCEMENT**



PARTS - DOOR

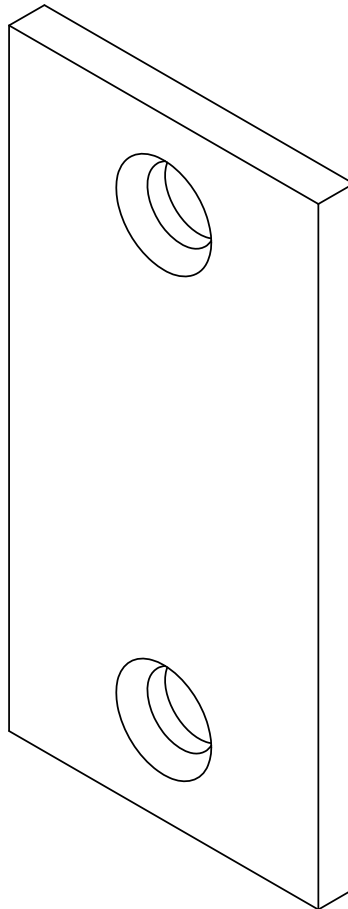
STRIKE TAB REINFORCEMENT 8-32 (RCS001) AND 12-24 (RMS401)



MESKER PART #	DESCRIPTION	USES
PDCR	DRILLED AND TAPPED 8-32	C STRIKE OR DEADLOCK
PDMR	DRILLED AND TAPPED 12-24	ASA STRIKE

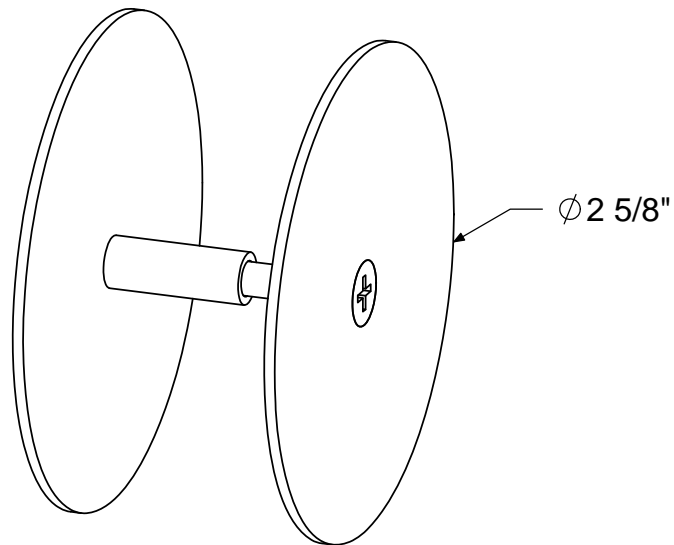


**PARTS - DOOR
CYLINDRICAL LOCK EDGE FILLER (CLE161)**



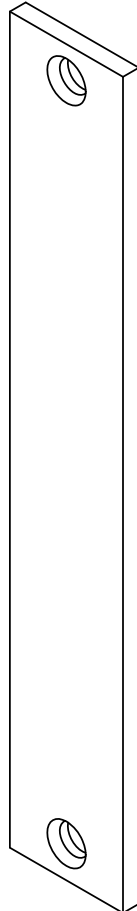
**PART # PDLEC
TO FILL C-4 EDGE PREP
1 1/8" X 2 1/4"**

PARTS - DOOR
CYLINDRICAL LOCK FACE FILLER (CLF161)



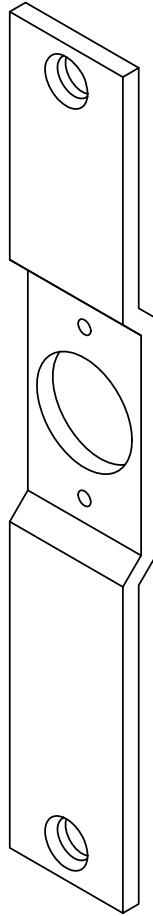
PART # PDLFC

**PARTS - DOOR
MORTISE LOCK FILLER (MLE086)**



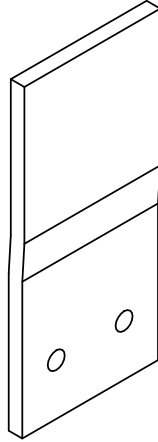
**PART # PDLEM
TO FILL MB (86 EDGE)
1 1/4" X 8"**

PARTS - DOOR
FILLER CHANGE MB TO C4 EDGE



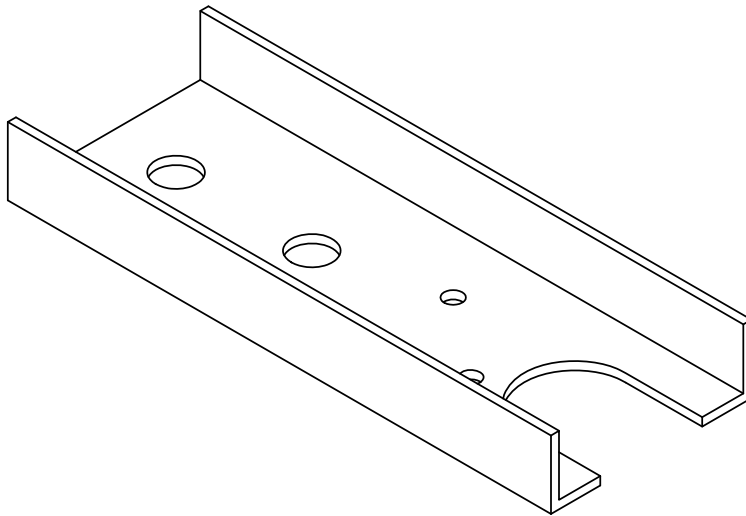
PART # PDLMC

**PARTS - DOOR
FLUSH BOLT REINFORCEMENT TAB (MBR001)**



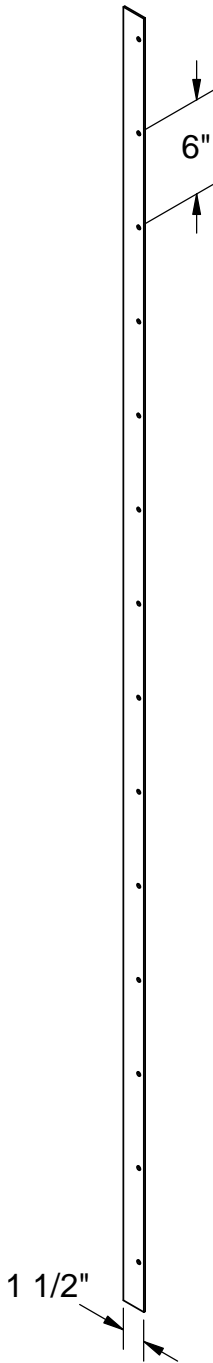
PART # PDFBA

PARTS - DOOR
FLUSH BOLT GUIDE (MBR401)



PART # PDFBG

PARTS - DOOR
FLAT ASTRAGAL (68, 70, 72, 80, 100)



PART # PDFA (68, 70, 72, 80, 100)

**PARTS - DOOR
Z ASTRAGALS**

16 Gauge Galvanized



Z ASTRAGAL BLANK

6'8" PART # PDZAB68
7' PART # PDZAB70
8' PART # PDAB
10' PART # PDZABT



Z ASTRAGAL U STRIKE

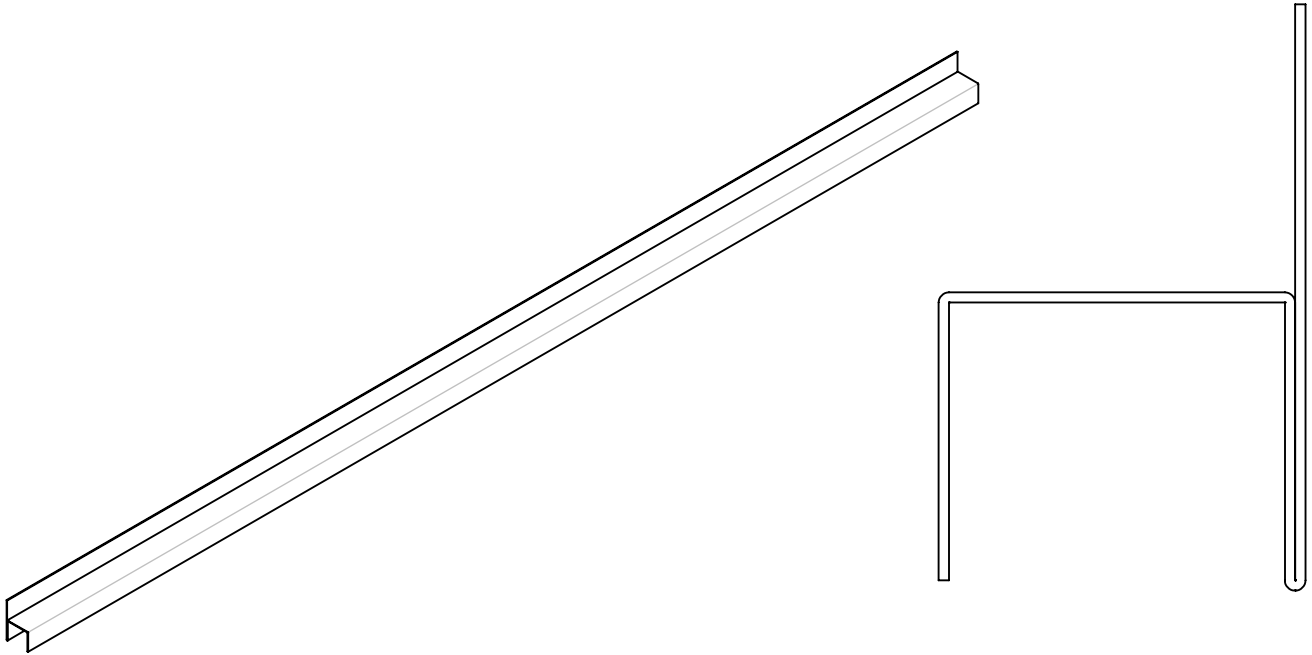
6'8" RH PART # PDZAU68R
6'8" LH PART # PDZAU68L
7' RH PART # PDZAU70R
7' LH PART # PDZAU70L
8' RH PART # PDZAU80R
8' LH PART # PDZAU80L
10' PART # PDZAUT



Z ASTRAGAL U STRIKE + FB PREP

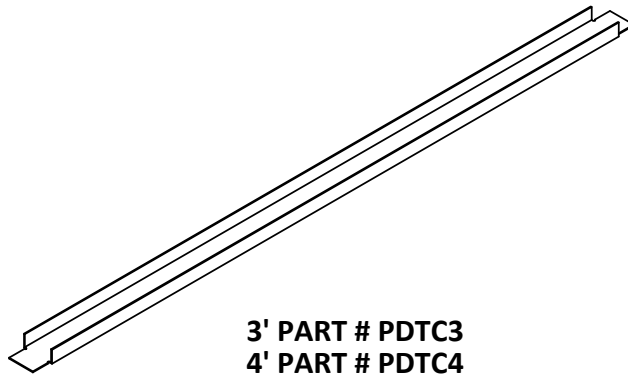
6'8" RH PART # PDZAU68RFB
6'8" LH PART # PDZAU68LFB
7' RH PART # PDZAU70RFB
7' LH PART # PDZAU70LFB
8' RH PART # PDZAU80RFB
8' LH PART # PDZAU80LFB

H ASTRAGAL

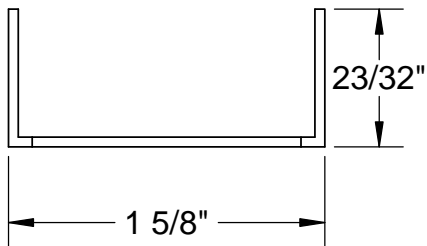


CALL FOR LEAD TIME AND AVAILABILITY

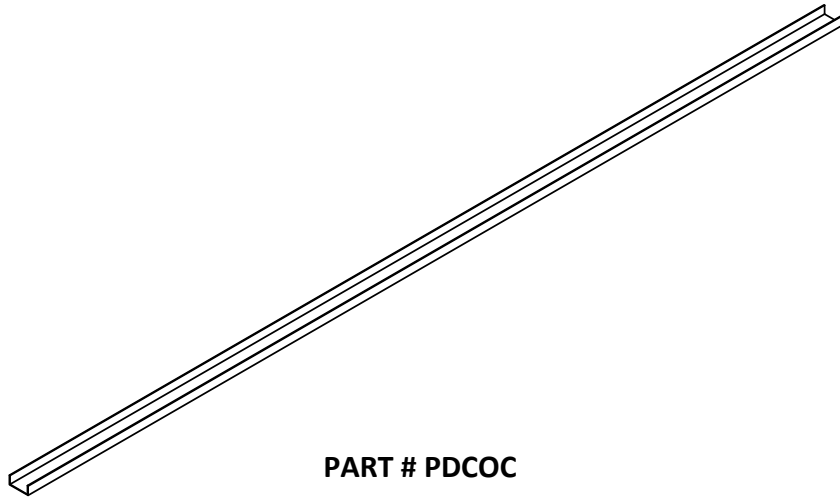
PARTS - DOOR
TOP AND BOTTOM CHANNEL 3' (TC-430), 4' (TC-440) AND 10'



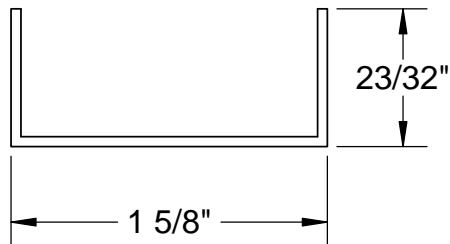
3' PART # PDTC3
4' PART # PDTC4
10' PART # PDC10
(10' IS NOT NOTCHED AT ENDS)



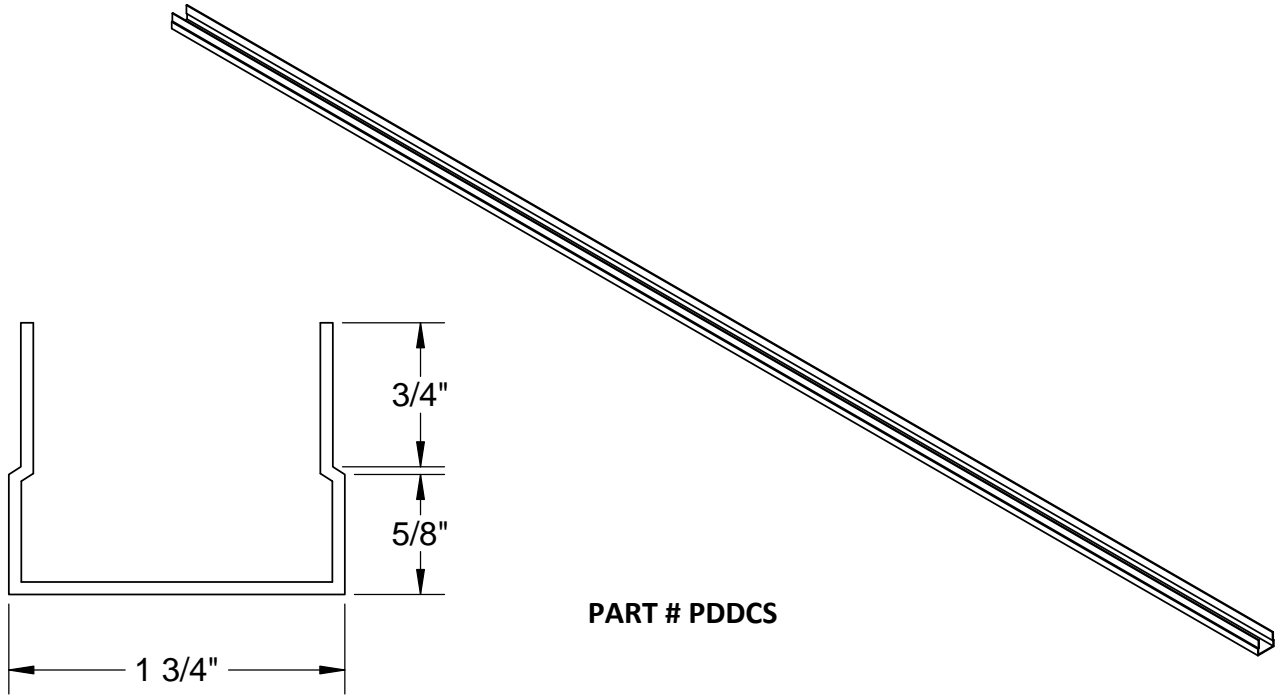
PARTS - DOOR
6' CHANNEL REINFORCEMENT FOR CUTOUTS



PART # PDCOC

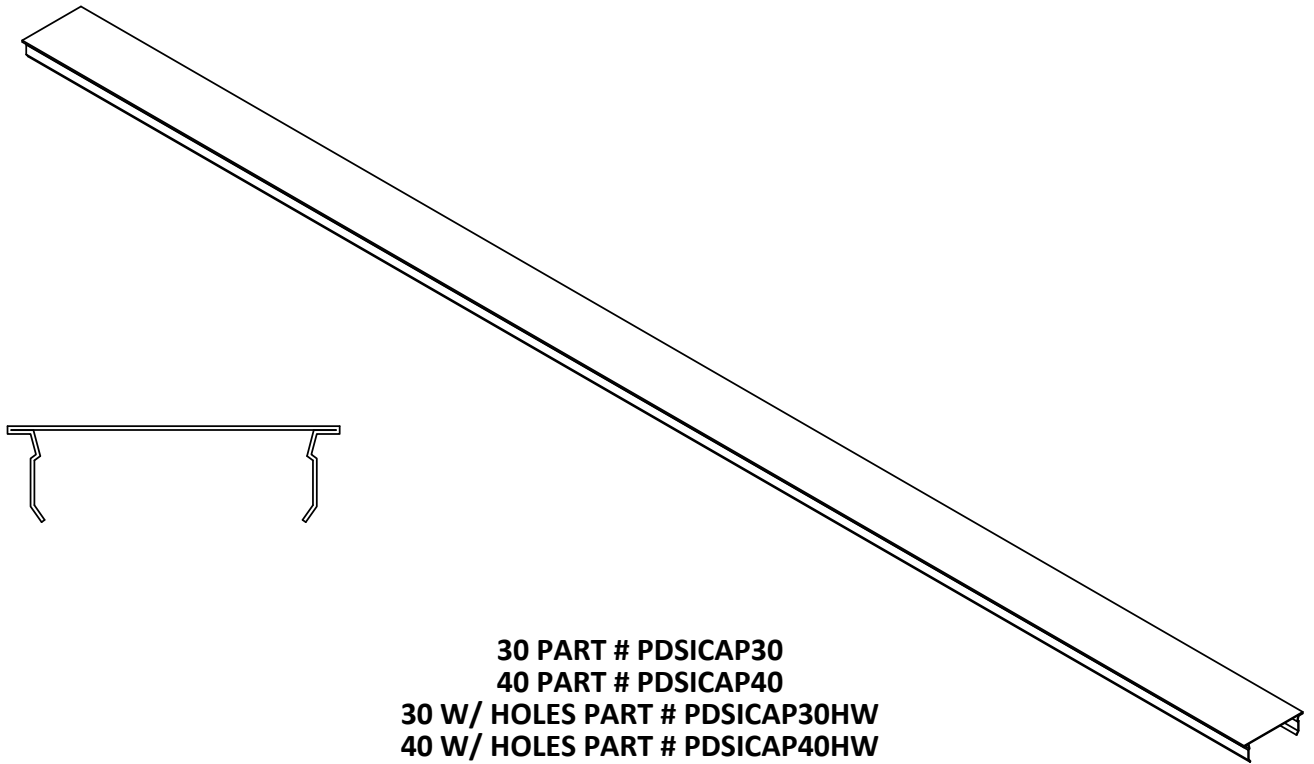


PARTS - DOOR
DOOR CONVERSION STYLE (DCS)



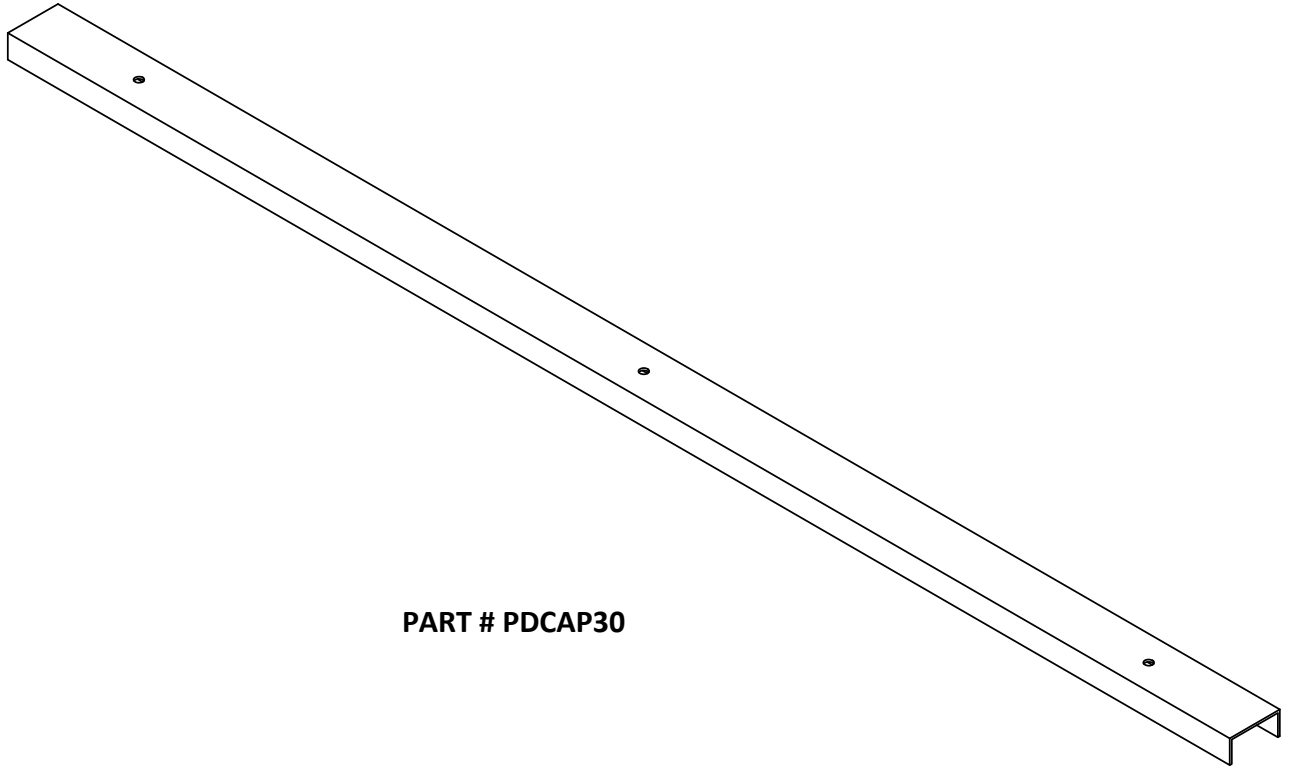
PART # PDDCS

**PARTS - DOOR
DOOR CAPS**



**30 PART # PDSICAP30
40 PART # PDSICAP40
30 W/ HOLES PART # PDSICAP30HW
40 W/ HOLES PART # PDSICAP40HW**

PARTS - DOOR
FCS CAP TO FLUSH DOOR TOP (30)



PART # PDCAP30

PARTS - DOOR
8" DUTCH SELF (30)

